

Vehicle products



**Numberplate Holder,
Fixing Parts**

Page 2



**Warning Contacts for
Brake Pads**

Page 68



Workshop Organisation

Page 16



**Wheel Balance
Weights,
Wheel Balance Weight
Pliers**

Page 69



Rubber Boots

Page 22



**Car and Van Valves -
(TPMS)**

Page 83



Exhaust Clamps

Page 27



**Tire and Wheel Fitting
Accessorie**

Page 133



**Oil Change Valve
Screws**

Page 31



**Tire and Inner Tube
Repair**

Page 151



Wiper Blades

Page 36



Fastening Parts

Page 184



**Fuel Line Repair Kit,
Hose Connections**

Page 45



**Brake Lines and
Accessories**

Page 60

Number Plate Holder Evolution 3 with Advert.Impr.



- Folding, reinforced backing plate with single / multi-colour advertising imprint
- As per EU-Directive 74/483/EWG (Law on protruding outer edges on motor vehicles)
- Material: polypropylene – flexible, impact-resistant, car wash resistant
- Number plate is fixed without need for drilling

Your Advantage / Benefit

- With four moulded-on, 2-component, rubber dampers plate is fastened free of vibration
- Suitable for transferable licence plates

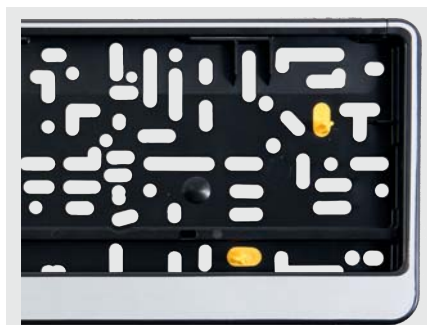


or



Application

- A transferable registration number **can be issued to cover two vehicles**. However, it can only be displayed on one of these vehicles at a time. It is a condition that the vehicles fall within the same vehicle classification and that registration plates of the same dimensions are used on the vehicles.
- The registration number consists of a **common prefix section** that is affixed to the vehicle in use together with the **registration sticker**, and a **short vehicle-related registration number section** which remains on the individual vehicle, together with the **main inspection sticker**, and which represents the last character of the assembled registration number.



Evolution 3:
 ■ Art.-No. 3095 73 520 1 silver



Evolution 3:
 ■ Art.-No. 3095 73 520 2 Regal Chrome
 ■ Art.-No. 3095 73 520 3 Regal Silver



Moulded-on rubber damper:
 ■ for vibration-free plate fastening

Article No.	Article Description	QTY
3095 73 520	NPH EVOLUTION 3 BL 520MM W.A.	100
3095 73 520 1	NPH EVOLUTION 3 SI 520MM W.A.	100
3095 73 520 2	NPH EVOL.3 REGAL CHROME520W.I.	100
3095 73 520 3	NPH EVOL.3REGAL SILVER 520 W.I	100
3095 4	PRINT WHITE EDGE	1
3095 5	TOOL EXPENSES NPH RAISED	1
3095 6	PRE-PRODUCT.COSTS NPH RAISED	1
3095 7	SILKSCREEN DEVICE EXPENSES	1
3095 8	FILM CREATION EXPENSES	1
3095 9	PRINT EXTRA COLOUR F. NPH	1

Number Plate Holder Perfect 2 w. Advert. Print



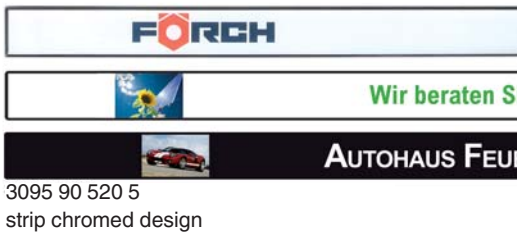
- Number plate holder with single-/multi-coloured advertising print
- As per EU Directive 74/483/EEC (Statute relating to the external projections of motor vehicles)
- Material: Polypropylene – flexible, impact-resistant, wash system resistant

Your Advantage / Benefit

- Simply insert the bar, press and lock
- Attaching of number plate holder without predrilling thanks to „hole pattern“



Application



Article No.	Article Description	QTY
3095 90 520	NPH PERF.2BLACK 520MM W.PRINT.	100
3095 90 520 1	NPH PERFECT 2 STRIP W.ADVERT.	100
3095 90 520 2	NPH PERFECT 2 BASE PLATE 520MM	100
3095 90 520 3	NPH PERF.2 STRIP RAISED CHROME	100
3095 90 520 4	NPH PER.2 STRIP RAISED SILVER	100
3095 90 520 5	NPH PER.2 COV. 520 W.ADVERT.	100
3095 90 520 6	NPH PER.2 STRIP COV.	100
3095 5	TOOL EXPENSES NPH RAISED	1
3095 6	PRE-PRODUCT.COSTS NPH RAISED	1
3095 7	SILKSCREEN DEVICE EXPENSES	1
3095 8	FILM CREATION EXPENSES	1
3095 9	PRINT EXTRA COLOUR F. NPH	1
3095 13	PRE-PRODUCT.COSTS DIGITAL/COV.	1
3095 14	PRE-PRODUCT.COSTS DIGITAL/COV.	1

Number Plate Holder Evolution w. Advert. Overprint



- Foldable holder with single and multi-coloured advertising overprint
 - Complies with EU Directive EEC 74 / 483 (law on external projections of motor vehicles)
 - Material: polypropylene – flexible, impact-resistant, car wash resistant
 - Fixing of number plates without pre-drilling
- Art.-No. 3095 70 520, Art.-No. 3095 71 520:**
- Also suitable for interchangeable number plates



or



Article No.	Article Description	QTY
3095 70 520	NPH.EVOL.BLACK520MM W.OVERPR.	100
3095 70 460	NPH.EVOL.BLACK460MM W.OVERPR.	e 100
3095 71 460	NPH.EVOL.SILV.460MM W.OVERPR.	100
3095 71 520	NPH.EVOL.SILV.520MM W.OVERPR.	100
3095 4	PRINT WHITE EDGE	1
3095 7	SILKSCREEN DEVICE EXPENSES	1
3095 8	FILM CREATION EXPENSES	1
3095 9	PRINT EXTRA COLOUR F. NPH	1

Number Plate Holder Dynamic w. Advert. Overprint



- Number plate holder (base sheet and strip) with single and multi-coloured advertising overprint
- Complies with EU Directive EEC 74 / 483 (law on external projections of motor vehicles)
- Material: polypropylene – flexible, impact and car wash resistant
- Fixing of numberplates without pre-drilling
- Base plates and strips can be ordered separately

Article No.	Article Description	QTY
3095 80 520	NPH DYNAMIC BLACK520MM W.ADVER	100
3095 80 520 1	NPH DYNAMIC STRIP W.ADVERTIS.	100
3095 80 520 2	NPH DYNAMIC BASE PLATE 520MM	100
3095 7	SILKSCREEN DEVICE EXPENSES	1
3095 8	FILM CREATION EXPENSES	1

Number Plate Holder Premium w. Advert. Overprint



- Number plate holder with single and multi-coloured advertising overprint
- Complies with EU directive EEC 74 / 483 (law on external projections on motor vehicles)
- Material: polypropylene - flexible, impact and car wash resistance
- Fixing of numberplate without pre-drilling

Article No.	Article Description	QTY
3095 20 520	NPH PREM.BLACK520MM W.OVERPRI.	100
3095 7	SILKSCREEN DEVICE EXPENSES	1
3095 8	FILM CREATION EXPENSES	1
3095 9	PRINT EXTRA COLOUR F. NPH	1

Number Plate Holder Evolution 3 w.Adv.Print. FÖRCH



- Foldable holder with single and multi-coloured advertising overprint FÖRCH
- Complies with EU-Directive 74 / 483 / EEC (law on external projections of motor)
- Material: polypropylene – flexible, impact-resistant, car wash resistant
- Fixing of numberplates without pre-drilling
- With four splashed rubber damper
- Suitable for interchangeable number plates

Article No.	Article Description	QTY
3095 73 520 5	NPH EVOLUTION 3 RAIS.SI FÖRCH	e 100

Number Plate Holder Perfect 2 Cov. w. Advert.FÖRCH



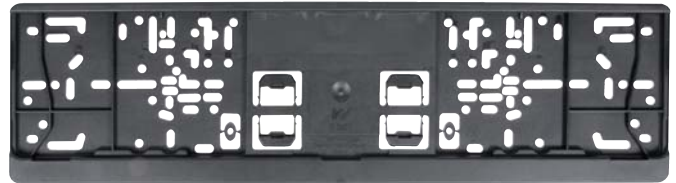
- Number plate holder with multi-coloured advertising overprint FÖRCH
- According to EU Directive 74 / 483 / EEC (law relating to the external projections of motor vehicles)
- Material: Polypropylene - flexible, shock-resistant, car-wash resistant
- Fixing of number plates without pre-drilling

Article No.	Article Description	QTY
3095 90 520 7	NPH PERFECT 2 COV. 520MM FÖRCH	e 100

Number Plate Holders Premium without Advert.

- Number plate holders without advertising overprint (neutral)
- According to EU Directive 74 / 483 / EEC (law relating to the external projections of motor vehicles)
- Material: Polypropylene - flexible, shock-resistant, car-wash resistant
- Fixing of number plates without pre-drilling

Article No.	Article Description	QTY
3094 20 520	NPH PREMIUM SW 520MM NEUTRAL	e 100



Number Plate Holders Evolution without Adver.

- Number plate holders without advertising overprint (neutral)
- According to EU Directive 74 / 483 / EEC (law relating to the external projections of motor vehicles)
- Material: Polypropylene - flexible, shock-resistant, car-wash resistant
- Fixing of number plates without pre-drilling

Article No.	Article Description	QTY
3094 70 460	NPH EVOLUTION BL 460MM NEUTRAL	e 100
3094 70 520	NPH EVOLUTION BL 520MM NEUTRAL	e 100
3094 71 460	NPH EVOLUTION SI 460MM NEUTRAL	e 100
3094 71 520	NPH EVOLUTION SI 520MM NEUTRAL	e 100



Number Plate Holder Dynamic without Advert.

- Number plate holder without advertising overprint (neutral)
- According to EU Directive 74 / 483 / EEC (law relating to the external projections of motor vehicles)
- Material: Polypropylene - flexible, impact-resistant, car-wash resistant
- Fixing number plates without pre-drilling

Article No.	Article Description	QTY
3094 80 520 1	NPH DYNAMIC STRIP NEUTRAL	e 100
3094 80 520 2	NPH DYNAMIC BASE PLATE 520MM	e 100



Number Plate Holder Perfect 2 without Adver.

- Number plate holders without advertising overprint (neutral)
- According to EU Directive 74 / 483 / EEC (law relating to the external projections of motor vehicles)
- Material: Polypropylene - flexible, impact-resistant, car-wash resistant
- Fixing of number plates without pre-drilling

Article No.	Article Description	QTY
3094 90 520	NPH PERFECT 2 BL 520MM NEUTRAL	e 100
3094 90 520 1	NPH PERFECT 2 STRIP NREUTRAL	e 100
3094 90 520 2	NPH PERFECT 2 BASE PLATE 520MM	e 100



Number Plate Mounting Set - Simple-Fix



- 2 adhesive strips for number plate fixing

Article No.	Article Description	QTY
3095 800	NUMBERPL.MOUNT.SET SIMPLE-FIX	1

Contents:

- 4x holders for 2 number plates
- 4x self-tapping screws with round pan head galvanized 4.8 x 19 PH2
- Assembly instructions

Vibro-Stripe

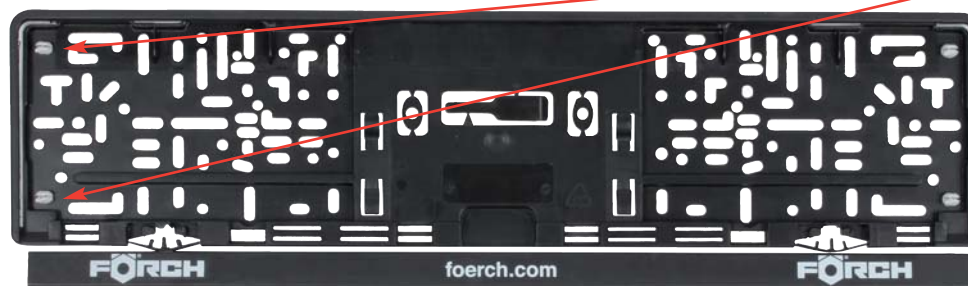
- Sound-, vibration deadening pad for all automobile number plates
- One-side self-adhesive
- Temperature resistance: -30° C up to +80° C
- Width: 70 mm
- Strength: 3 mm



Article No.	Article Description	QTY
3095 1	RO(30M)VIBRO-STRIPE 70MM	1

Rubber Buffer for Numberplate Holders

- Prevents the licence plate rattling when vibrating
- No scratches or other paint damage on the vehicle by applying the rubber buffer
- Simply press the rubber buffer in the desired position on the reinforced licence plate



Number plate with rubber buffer (front part of the number plate)

Article No.	Article Description	QTY
3095 11	RUBBER BUFFER FOR NPH	H 300



Rubber buffer plate on the vehicle (back side of the number plate)

number plate

Selection aid for

Helvetica normal

1 Autohaus Maier Freudenstadt 0763/86932

Helvetica semibold

2 **Autohaus Maier Freudenstadt 0763/86932**

Helvetica bold

3 **Autohaus Maier Freudenstadt 0763/86932**

Helvetica narrow bold

4 **Autohaus Maier Freudenstadt 0763/86932**

Helvetica kursiv

5 *Autohaus Maier Freudenstadt 0763/86932*

Futura shadow

6 Autohaus Maier Freudenstadt 0763/86932

VAG rounded

7 **Autohaus Maier Freudenstadt 0763/86932**

Avant Garde Demi

8 **Autohaus Maier Freudenstadt 0763/86932**

Freestyle Script

9 *Autohaus Maier Freudenstadt 0763/86932*

Times bold

10 **Autohaus Maier Freudenstadt 0763/86932**

Revue

11 **Autohaus Maier Freudenstadt 0763/86932**

Rockwell Bold

12 **Autohaus Maier Freudenstadt 0763/86932**

Zapf Chancery

13 *Autohaus Maier Freudenstadt 0763/86932*

number plate

Selection aid for

 1	 2	 3	 4	 5	 6	 7	
 8	 9	 10	 11	 12	 13		
 14	 15	 16			 17		
 18	 19		 20	 21	 22	 23	
 24	 25		 26	 27		 28	
 29		 30	 31		 32	 33	 34
 35			 36	 37		 38	
 39	 40		 41	 42			
 43	 44		 45	 46		 47	 48
 49			 50	 51		 52	 53
 54	 55		 56	 57		 58	
 59	 60	 61	 62		 63	 64	
 65	 66	 67					
 68	 69			 70	 71		 72
 73	 74		 74	 75		 76	
 77		 78	 79		 80		
 81	 82	 83	 84	 85	 86		 87

Number Plate Screws Plastic

- Similar to DIN 85 fully assembled

Article No.	Article Description	QTY
1885 5 20	NPS PLASTIC WHITE 5X20 KPL	H 300
1885 6 20	NPS PLASTIC WHITE 6X20 KPL	H 300
1886 6 20	NPS PLASTIC BLACK 5X20KPL	H 300

(Colour / Ø x length in mm / KPL = fully assembled)



Number Plate Screws V-Form with Cap Head

- Zinc-coated, fully assembled with a cap

Article No.	Article Description	QTY
1887 5 20	NPS SCREW ZN KPL 5X20 WK	H 300
1887 6 20	NPS SCREW ZN KPL 6X20 WK	HR 500
1888 5 20	NPS KPL. ZN 5X20 SK	H 300
1888 6 20	NPS KPL. ZN 6X20 SK	HR 500

(Ø x length in mm / WK = white caps, SK = black caps)



Number Plate Screws similar to DIN 7981

- Iron zinc-coated

Article No.	Article Description	QTY
1899 48 95	NSS SIM.TO 7981 WHITE 4.8X13	100
1899 48 13	NSS SIM.TO 7981 ZN 4.8X13	100
1899 48 16	NPS SIM.TO 7981 ZN 4.8X16	100
1899 48 19	NPS SIM.TO 7981 ZN 4.8X19	100
1899 48 22	NPS SIM.TO 7981 ZN 4.8X22	100
1899 48 25	NSS SIM.TO 7981 ZN 4.8X25	100
1899 56 16	NSS SIM.TO 7981 ZN 5.6X16	100
1899 56 19	NSS SIM.TO 7981 ZN 5.6X19	100



Number Plate Screws similar to DIN 7981 with Caps

- Iron zinc-coated

Article No.	Article Description	QTY
1889 48 13	NPS 4.8X13 WK	HR 500
1889 48 16	NPS 4.8X16 WK	HR 500
1889 48 19	EURO N.P.SELF TAP.SCREW & CAP	HR 500
1889 48 22	NPS 4.8X22 WK	HR 500
1889 48 25	NPS 4.8X25 WK	HR 500
1889 56 16	NPS 5.6X16 WK	HR 500
1889 56 19	NPS 5.6X19 WK	HR 500
1890 48 13	NPS 4.8X13 SK	HR 500
1890 48 16	NPS 4.8X16 SK	HR 500
1890 48 19	EURO N.P.SELF TAP.SCREW & CAP	HR 500
1890 48 25	NPS 4.8X25 SK	HR 500
1890 56 16	NPS 5.6X16 SK	HR 500
1890 56 19	NPS 5.6X19 SK	HR 500

(Ø x length in mm / WK = white caps, SK = black caps)



Number Plate Screws with Drill Bits

- Coating: dacromet
- Drive: PZ 2
- Delivery without caps
- Suitable caps:
 White: Art.-No. 1893 5
 Black: Art.-No. 1894 5
 Blue: Art.-No. 1896 5



Article No.	Article Description	QTY
1898 5 16	NSS WITH DRILL BITS 5X16	H 300
1898 5 19	NSS WITH DRILL BITS 5X19	H 300
1898 5 25	NSS WITH DRILL BITS 5X25	H 300

Number Plate Screws

- Iron zinc-coated
- Suitable caps: Art.-No. 1893 5, 1894 5, 1896 5, 1893 6, 1894 6, 1896 6

Article No.	Article Description	QTY
1887 5 15 1	NPS CAP HEAD ZN M 5X15	100
1887 5 20 1	NPS CAP HEAD ZN M 5X20	100
1887 6 15 1	NPS CAP HEAD ZN M 6X15 PH2	H 300
1887 6 20 1	NPS CAP HEAD ZN M 6X20 PH2	100
1887 6 25 1	NPS CAP HEAD ZN M 6X25	100

(Ø x length in mm)



Caps for Number Plate Screws

- Plastic caps: white, black, blue
- Sizes: 5, 6

Article No.	Article Description	QTY
1893 5	NPS CAPS WHITE 5	H 300
1893 6	NPS CAPS WHITE 6	H 300
1894 5	NPS CAPS BLACK 5	H 300
1894 6	NPS CAPS BLACK 6	H 300
1896 5	NPS CAPS BLUE 5	300
1896 6	NPS CAPS BLUE 6	300

(Colour/ for screws-Ø M)



Distance Washer

- For screws-Ø M5 / M6
- Art.-No. 1895 1:**
- Plastic white, dimension (dl x dA x s): 6.4 x 18.0 x 6.0 mm
- Art.-No. 1895 6 20 3:**
- Rubber black, dimension (dl x dA x s): 6.5 x 20.0 x 3.0 mm

Article No.	Article Description	QTY
1895 1	DISTANCE WASHER WHITE M5/M6	100
1895 6 20 3	RUBBER WASHER BLACK 6.5X20X3MM	100



Number Plate Screw sim. to DIN 7981 with Washer

- Iron zinc-coated
- Application without caps

Article No.	Article Description	QTY
1891 55 19	NPS 7981 ZN 5.5X19 WITH WASHER	H 300
1891 55 25	NPS 7981 ZN 5.5X25 WITH WASHER	H 300

(Ø x length in mm)



Number Plate Screw similar to DIN 7981, A2

- Stainless steel A2
- Application without caps

Article No.	Article Description	QTY
1892 48 16	NPS DIN 7981 A2 4.8X16	300
1892 48 19	NPS DIN 7981 A2 4.8X19	300
1892 55 16	NPS DIN 7981 A2 5.5X16	H 300
1892 55 19	NPS DIN 7981 A2 5.5X19	H 300



Number Plate Screws and Caps in Assortment

- 4.8 × 16 – 5.5 × 38 = 805 pieces

Article No.	Article Description	QTY
9000 18	ASSORTMENT NUMBERPLATE SCREWS	1
9000R 18	NUMBERPLATE SCREWS IN TRAY	1



Key Management Systems

- For quick locating of keys
- Affords an easy classification of the vehicle
- Model 1 and 2 were designed for new and used cars
- Model 3 and 4 are for vehicles which pass through the workshop
- All key fobs are made of recyclable plastic

Special Pen for Key Chains

- For labelling the key chain
- Black permanent marker
- 0.9mm nib
- Smudge-proof, water-proof



Article No.	Article Description	QTY
3097 10	SPECIAL PEN F.KEY CHA.BL PERM.	1 v

Key Tag Model 1

- Key can be clamped quickly onto the key tag due to the lug
- Collateral security due to two indentations in the lug
- If an eyelet is smaller than Ø 6 mm, use model 2

Article No.	Article Description	QTY
3097 11	KT(250)KEY TAG MODEL 1 YELLOW	1
3097 12	KT(250)KEY TAG MODEL 1 BLUE	1
3097 13	KT(250)KEY TAG MODEL 1 RED	1

Scope of delivery:

- 1 VPE (carton) contains 250x key tags of the same colour
- 2x Art.-No. 3097 10: special pins



Key Ring Model 2

- Also suitable for key types with a small eyelet
- The flexible steel ring can easily be clamped onto the key ring and the car key

Article No.	Article Description	QTY
3097 21	KT(250)KEY RING MODEL 2 YELLOW	1
3097 22	KT(250)KEY RING MODEL 2 BLUE	1
3097 23	KT(250)KEY RING MODEL 2 RED	1

Scope of delivery:

- 1 VPE (carton) contains 250x key rings of the same colour
- 250x steel rings
- 2x Art.-No. 3097 10: special pins



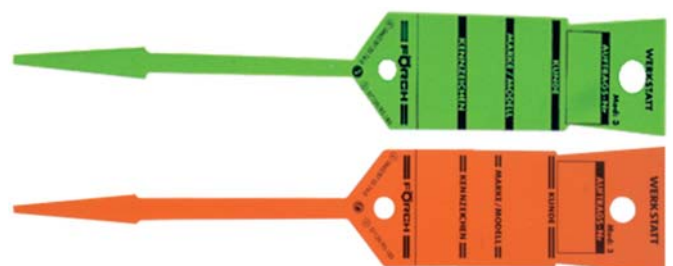
Key Tag Model 3

- For vehicles which pass through the workshop
- Due to the integrated lug the keys can be clamped easily and quickly

Article No.	Article Description	QTY
3097 34	KT(500)KEY TAG MODEL 3 GREEN	1
3097 37	KT(500)KEY TAG MODEL 3 ORANGE	1

Scope of delivery:

- 1 VPE (Karton) contains 500x key tags of the same colour
- 2x Art.-No. 3097 10 special pins



Key Tag Model 5

- Can be marked with a ball pen or film pen
- Tear-resistant HDPE (thermoplastical plastic)
- Single perforated labels
- Dimension (L x W): 160 x 12.7 mm
- 1 packing unit (role) includes 1,000x key rings in the same colour

Article No.	Article Description	QTY
3097 51	RO(1000)KEY TAG MOD.5 YELLOW	1
3097 52	RO(1000)KEY TAG MOD.5 BLUE	1
3097 53	RO(1000)KEY TAG MOD.5 RED	1
3097 54	RO(1000)KEY TAG MOD.5 GREEN	1
3097 55	RO(1000)KEY TAG MOD.5 WHITE	1
3097 57	RO(1000)KEY TAG MOD.5 ORANGE	1



Key Cabinet

- Safety cabinet made from 1 mm thick steel sheet with extremely shatter-proof radial piston lock, incl. 4 safety rounds key
- Painted black
- Art.-No. 3097 2 55:**
 - For 55 keys
 - Dimensions (H x W x D): 600 x 495 x 150 mm
- Art.-No. 3097 2 99:**
 - For 99 keys
 - Dimensions (H x W x D): 850 x 495 x 150 mm
- Art.-No. 3097 2 99 1:**
 - Partition wall for key cabinet Art.-No. 3097 2 99
 - The cabinets can accommodate 209 keys

Article No.	Article Description	QTY
3097 2 55	KEY CABINET 2/55	1
3097 2 99	KEY CABINET 2/99	1
3097 2 99 1	PARTITION WALL F. KEY CAB.2/99	1



Inspection Stickers

- Information regarding the latest services and inspections
- Easy to affix in the engine compartment, B-pillars or door frames
- Heat-resistant, water, petrol and oil repellent
- Can be labelled using a Biro or water-proof pen
- 100 stickers on a roll in a dispenser
- Dimensions (W x H): 60 x 100 mm

Article No.	Article Description	QTY
3097 60	KT(100)INSPECTION STICKERS	1



Inspection Tags

- Information regarding the latest services and inspections
- Tags for engine compartment, printed on both sides, incl. binding wire for easy fixing, with stamp / signature field on the reverse side
- 100 tags / binding wires in the box
- Dimensions (W x H): 65 x 100 mm

Article No.	Article Description	QTY
3097 61	KT(100)INSPECTION TAGS	1



Special Tags to Tighten Wheel Bolts

- Special tags indicating clearly that the wheel nuts must be tightened after 50 km
- Necessary advice requiring that the wheel nuts are tightened (workshop's duty to inform)
- Printed on both sides, for use with all current interior rear-view mirrors, with stamp / signature field on the reverse side
- Dimensions (W x H): 90 x 180 mm

Article No.	Article Description	QTY
3097 62	KT(100)SPECI.TAGS F.WHEEL BOLT	1



Customer Service and Information Stickers

- Customer service stickers: information for the customer regarding the work carried out and the next appointments for further inspections as well as work in progress
- Heat resistant, water, petrol and oil repellent
- Can be labelled using a Biro or water-proof pen
- Perfectly suitable for engine compartments, B-pillars or door frames
- 250 stickers on the roll in a dispenser
- Dimensions (W x H): 60 x 40 mm

Article No.	Article Description	QTY
3097 63	KT(250)TIMING BELT REPLACEMENT	1
3097 64	KT(250)CAUTION DO NOT SMOKE	1
3097 65	KT(250)NEXT INSPECTION	1
3097 66	KT(250)FROST PROTECT. SECURED	1
3097 67	KT(250)BRAKE FLUID CHANGE	1
3097 68	KT(250)OIL CHANGE EXECUTED	1

Zahnriemen-Wechsel
ausgeführt bei:

km-Stand Datum

Unterschrift

ACHTUNG!
Vorführ-/Mietwagen

Bitte nicht rauchen!

Vielen Dank im Voraus -
wir wünschen eine gute Fahrt.

Nächste Inspektion
Bei km-Stand:

Spätestens am:

Frostschutz bis
minus °C
gesichert!

Bremsflüssigkeitswechsel
ausgeführt bei:

km-Stand Datum

Unterschrift

Öl-Wechsel
ausgeführt bei:

km-Stand Datum

Unterschrift

Identity Card Model 4

- Simplest identification of keys and vehicles - without handwritten notice
- The identification consists of 3 parts with the same number: key tag, rear-view mirror card and customer stub
- The customer chapter which is handed over to the car owner makes it easier for him to pick up his car and prevents unauthorized pickup

Article No.	Article Description	QTY
3097 41	KT(300) IDEN.CARD MOD.4 YELLOW	1
3097 42	KT(300) IDEN.CARD MOD.4 BLUE	1
3097 43	KT(300) IDEN.CARD MOD.4 RED	1
3097 44	KT(300)IDEN.CARD MOD.4 GREEN	1

Scope of delivery:

- 1 Packaging unit (carton) contains 300 identity cards of the same colour, numbered from 1 – 300
- 1x Art.-No. 3097 10: special pin



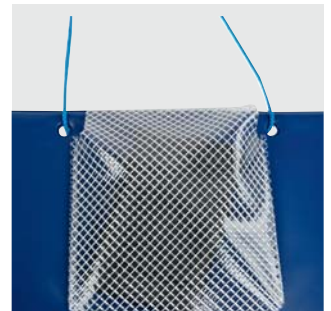
Order Protectors

- Order protector for clean and closed keeping of DIN A4 documents
- Tear guard and clear plastic film
- Solid design with key pocket at the back made of fabric reinforced foil
- Permanently welded Velcro fastener
- With cord for suspension
- Order protector size (L x W): 330 x 235 mm
- Key pocket size (L x W): 145 x 135 mm

Article No.	Article Description	QTY
3097 1	ORDER PROTECT.BAG DIN A4 BLUE	e 10
3097 2	ORDER PROTECT.BAG DIN A4 RED	e 10
3097 3	ORDER PROTECT.BAG DIN A4 GREEN	e 10
3097 4	ORDER PROT.BAG DIN A4 YELLOW	e 10
3097 5	ORDER PROT.BAG DIN A4 BLACK	e 10
3097 6	ORDER PROT.BAG DIN A4 GREY	e 10



Key pocket on the back



Cord for suspension

Order pouches B

- Order pouches for the clean, safe storage of all work documents in DIN A4 format
- Transparent film with large expansion fold and additional fastener at the side for storage of bulky on-board literature
- with key pouch at the back in fabric-reinforced film
- with fixed Velcro fastener
- with cord for hanging
- Order pouch dimensions (L x W): 330 x 235 mm
- Key pouch dimensions (L x W): 145 x 135 mm



Article No.	Article Description	QTY
3097 1 11	ORDER PUCHES B DIN A4 BLUE	e 10
3097 1 12	ORDER PUCHES B DIN A4 RED	e 10
3097 1 13	ORDER PUCHES B DIN A4 GREEN	e 10
3097 1 14	ORDER PUCHES B DIN A4 YELLOW	e 10
3097 1 15	ORDER PUCHES B DIN A4 BLACK	e 10
3097 1 16	ORDER PUCHES B DIN A4 GREY	e 10



Elastic pleat adjusts to content



with cord and key case

Workshop Planner for 48 Order Bags

- Workshop planner for 48 order bags in size DIN A4, 8 rows
- With holder for pens and highlighters
- For wall mounting
- RAL 5003 blue
- Dimensions (H x W x D): 934 x 1550 x 80 mm
- Weight: 42 kg

Article No.	Article Description	QTY
9100 848	WORKSHOP PLANNER 48 ORDER BAGS	1



Workshop Planner for 24 Order Bags

- Workshop planner for 24 order bags in size DIN A4, 8 rows
- With holder for pens and highlighters
- For wall mounting
- RAL 5003 blue
- Dimensions: H x W x D= 934 x 800 x 80 mm
- Weight: 23 kg

Article No.	Article Description	QTY
9100 824	WORKSHOP PLANNER 24 ORDER BAGS	1



Axle Boots Unifit

- Universal axle boots for joint diameter up to 95 mm
- Easy to stretch with the expanding device or mounting cone
- It is not necessary to disassemble the axle shaft joint when mounting the axle boot
- Straps made of stainless steel
- Art.-No. 6540 5250 Cardans Shaft CV Grease S487: Grease for constant velocity joints in accordance with OEM (original equipment manufacturer)

Article No.	Article Description	QTY
3103 1	RUBBER BOOT SET UNIVERSAL	1
3103 6	PCK(6) RUBBER BOOT UNIVERSAL	1
3103 12	PCK(12) RUBBER BOOT UNIVERSAL	1
3103 24	PCK(24) RUBBER BOOT UNIVERSAL	1
3103 25	RUBBER BOOT UNI. WITHOUT.ACC.	1
3103 48	PCK(48) RUBBER BOOT UNIVERSAL	1

Contents Art.-No. 3103 1:

- 1x Art.-No. 3103 25: Axle boot Unifit
- 1x Art.-No. 3100 8: Strap 6 x 480 mm
- 1x Art.-No. 3752 46 200: Stainless steel cable tie 4.6 x 200 mm, self-locking
- 1x Art.-No. 6540 5250: Cardan Shaft CV Grease S487

Contents Art.-No. 3103 6:

- 6x Art.-No. 3103 1: Axle boot Unifit

Contents Art.-No. 3103 12:

- 12x Art. No. 3103 1: Axle boot Unifit

Contents Art.-No. 3103 24:

- 24x Art.-No. 3100F 1: Axle boot Unifit

Contents Art.-No. 3103 48:

- 48x Art.-No. 3103 1: Axle boot Unifit



Axle Boots Big Unifit

- Universal for cardan shafts up to Ø 110 mm
- Easy to stretch with the expanding device or mounting cone
- Assembly without dismantling the constant-velocity joint
- Ideal for vehicles, Off-Roader, transporter and vans

Article No.	Article Description	QTY
3104 1	RUBBER BOOT SET BIG UNIVERSAL	1
3104 6	PCK(6)RUBBER BOOT BIG UNIVERS.	1
3104 12	PCK(12)RUBBER BOOT BIG UNIVER.	1
3104 25	RUBB.BOOT BIG UNI.WITHOUT ACC.	1

Art.-No. 3104 1:

- 1x Art.-No. 3104 25: Axle boot Big Unifit
- 1x Art.-No. 3100 7: Strap 6 x 250 mm
- 1x Art.-No. 3100 8: Strap 6 x 480 mm
- 2x Art.-No. 6540 5250: Cardan Shaft CV Grease S487

Art.-No. 3104 6:

- 6x Art.-No. 3104 1: Axle boot Big Unifit

Art.-No. 3104 12:

- 12x Art.-No. 3104 1: Axle boot Big Unifit



Axle Boots Millenium 2

- Universal axle boots for joint diameter up to 95 mm
- Easy to stretch with the expanding device or mounting cone
- It is not necessary to disassemble the axle shaft joint when mounting the axle boot

Article No.	Article Description	QTY
3105 25	AXLE BOOT MILLENIUM2	1



Cardan Shaft Constant Velocity Grease S487

- Grease for constant velocity joints

Technical Data	
Manufacturer	Specification
BMW	1 225.051
Ford	WSD-M1 C 230A
Löbro	TL 4 9.06.00347
Daimler-Chrysler	DBL 6811.30
Opel	B 040 0265
VW/Audi	TL 52 738 A

Article No.	Article Description	QTY
6540 5250	CARD.SHAFT CV GREASE S487 90ML	1



Strap Retainer, Stainless Steel

- Art.-No.3100 7 and 3100 8: without self-arresting
- Art.-No. 3752 46 200: flat, self-arresting lock

Article No.	Article Description	QTY
3100 7	STRAP RETAINER 6X250MM	zb 50
3100 8	STRAP RETAINER 6X480MM	zb 50
3752 46 200	STAINL.STEEL CABL.STRAP4.6X200	zg 50



Special Pliers for Stainless Steel Strips

- Particularly suitable for cutting clamps to length for axle and steering boots
- Max. cutting width: 6 mm
- Total length: 200 mm

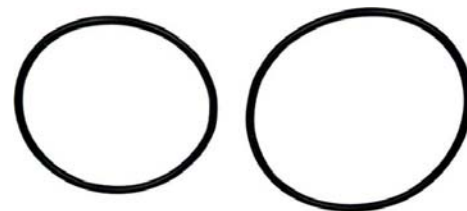
Article No.	Article Description	QTY
4920 34	SPEC.PLIERS F.STAIN.STEEL STR.	1



O-Ring

- Prevents slipping of the axle boot of joints extreme steering angle
- Insert O-ring in groove, shrink on the axle boot and apply the tightening strap after the O-ring is inserted

Article No.	Article Description	QTY
2650 3 60	O-RING NBR 3 X60	gf 100
2650 3 70	O-RING NBR 3 X70	gf 100



Silicone Spray / Oil S420

- Plastic parts are high-gloss and do not become brittle
- Rubber parts are maintained, do not become brittle, do not freeze or stick
- With wide and narrow spray nozzle

Article No.	Article Description	QTY
6530 1500	SILICONE SPRAY LUBE S420 500ML	ed 24
6530 1505	CAN(5L)SILICONE OIL S420	1
6530 1506	CAN(20L)SILICONE OIL S420	1



6530 1500



6530 1505



6530 1506

Axle Boot Expanding Device - Bootgun

- Clean and quick operation with compressed-air
- Easy expanding without using tools
- For all universal axle boots with up to Ø 115 mm and suitable for all joints with a maximum Ø 110 mm
- Maintenance-free
- Working pressure: 8 bar
- Weight: 2.3 kg



Article No.	Article Description	QTY
3100 19	AXLE BOOT EXPAN.DEVICE BOOTGUN	1

Mounting Cone

- For stretching and wrapping of universal axle boots
- Art.-No. 3100 5: inside-Ø 97 mm
- Art.-No. 3101 5: inside-Ø 108 mm

Article No.	Article Description	QTY
3100 5	MOUNTING CONE UNIFIT 97MM	1
3101 5	MOUNTING CONE BIG UNIFIT 108MM	1



Mounting Support

- For easy pushing of axle boots

Article No.	Article Description	QTY
3100 11	MOUNT.SUPPORT F.UNI-AXLE BOOTS	1



Tensioning Ratchet

- For tensioning, securing and trimming of stainless steel tightening straps

Article No.	Article Description	QTY
3100 10	TIGHTENING RATCH.DE LUXE 2080	1



Universal Steering Boots

- Universal for rack and steering gear
- Assembly without dismantling of steering tie rod - swivel head

Article No.	Article Description	QTY
3110 1	UNI-STEERING BOOTS SET	1
3110 6	PK(6) UNI-STEERING BOOTS	1
3110 12	PK(12) UNI-STEERING BOOTS	1

Contents Art.-No. 3110 1:

- 2x universal steering boots
- 4x strap retainers
- 1x mounting cone piccolo

Contents Art.-No. 3110 6:

- 3x Art.-No. 3110 1: Uni-steering boots set
- 1x Art.-No. 6530 1500: Silicone spray S420

Contents Art.-No. 3110 12:

- 6x Art.-No. 3110 1: Uni-steering boots set
- 1x Art.-No. 6530 1500: Silicone spray S420

Technical Data

	Inner Ø
A	10 mm
B	22.5 mm
C	29.5 mm
D	40 mm
E	53 mm
F	48 mm
G	42 mm
H	36 mm
I	29 mm



Steering Boots with Aeration

- Universal use for rack and pinion steering gear
- With air vents (internal Ø 8 mm)
- Assembly without dismantling the tie rods pivot mounts

Article No.	Article Description	QTY
3111 1	UNI STEERING BOOTS W. AERATION	1

Contents:

- 2x steering boots with aeration
- 4x tightening straps
- 1x assembly cone piccolo

Technical Data

	Inside Ø
A	10 mm
B	22.5 mm
C	29.5 mm
D	40 mm
E	53 mm
F	48 mm
G	42 mm
H	36 mm
I	29 mm



Opel Exhaust Suspension

- For Rekord E, Commodore C, Senator, Monza, Omega
- Opel No. 852 716 / 852 715

Article No.	Article Description	QTY
3010 14	OPEL RUBBER BUFFER 0111	z 25



Opel Exhaust Rubber Ring

- For Kadett C/E, Ascona B/C, Manta B, Rekord D, Commodore B
- Opel No. 852 713
- Inner-Ø: 30 mm
- Outer-Ø: 57 mm

Article No.	Article Description	QTY
3010 32	OPEL EXHAUST RUBBER RING	z 25



Slotted Nuts DIN 14440

- Steel 8, copper-plated
- self-locking with radial securing slot
- Can be used in temperatures ranges from -70°C to +400°C
- Normal spanner size in accordance with DIN 14440



Article No.	Article Description	QTY
2140 6	SLOTTED NUT 14440 M6 SW 10	100
2140 8	SLOTTED NUT 14440 M8 SW 13	HR 500
2140 10	SLOTTED NUT 14440 M10 SW 17	H 300

Slotted Nuts DIN 14441

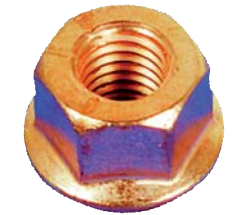
- Reduced wrench size
- Steel, copper-plated



Article No.	Article Description	QTY
2141 6	SLOTTED NUT 14441 M6 SW 9	100
2141 8	SLOTTED NUT 14441 M8 SW12	HR 500
2141 8 1	SLOTTED NUT 14441 M8X1 SW12	100
2141 10	SLOTTED NUT 14441 M10 SW14	HR 500
2141 10 125	SLOTTED NUT14441 M10X1.25 SW14	100
2141 12	SLOTTED NUT 14441 M12 SW17	100

Exhaust Nut with Flange

- Steel coppered



Article No.	Article Description	QTY
2142 1 7	FLANGE NUT SELF-LOCK.M7 SW11	100
2142 1 8 10	FLANGE NUT SELF-LOCK M8 SW10	200
2142 1 8	FLANGE NUT SELF-LOCK. M8 SW12	100
2142 3 8	FLANGE NUT SELF-LOCK. M8 SW13	100
2142 1 10	FLANGE NUT SELF-LOCK. M10 SW15	100

Glimmer Fabric Exhaust Sealing Washer

- Temperature resistance up to +900 °C
- Inside Ø: 45 mm
- Outside Ø: 60 mm
- Height: 13 mm

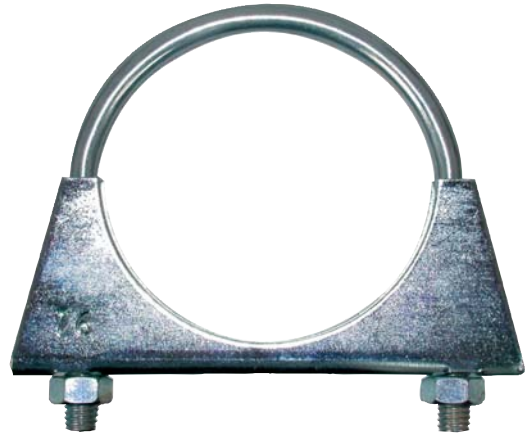


Article No.	Article Description	QTY
3010 31	OPEL-EXH.SEAL.WASH.GLIMM.FABR.	z 25

Exhaust Pipe Clamp Universal M8

- Reinforced sheet component with clamp and nut DIN 934
- Zinc-coated, completely mounted

Article No.	Article Description	QTY
3300 28	EXHAUST CLAMP M8 28MM	10
3300 32	EXHAUST CLAMP M8 32MM	10
3300 36	EXHAUST CLAMP M8 36MM	10
3300 38	EXHAUST CLAMP M8 38MM	10
3300 40	EXHAUST CLAMP M8 40MM	10
3300 42	EXHAUST CLAMP M8 42MM	10
3300 45	EXHAUST CLAMP M8 45MM	10
3300 48	EXHAUST CLAMP M8 48MM	10
3300 50	EXHAUST CLAMP M8 50MM	10
3300 52	EXHAUST CLAMP M8 52MM	10
3300 54	EXHAUST CLAMP M8 54MM	10
3300 58	EXHAUST CLAMP M8 58MM	10
3300 60	EXHAUST CLAMP M8 60MM	10
3300 65	EXHAUST CLAMP M8 65MM	10
3300 70	EXHAUST CLAMP M8 70MM	10
3300 75	EXHAUST CLAMP M8 75MM	10



Exhaust Clamp Set

- The exhaust clamp set for wall mounting enables the optimum overview of current stocks
- The exhaust clamps are neatly arranged on a space-saving board and enable optimum access to the clamps
- Assembled with universal exhaust clamps for the mounting of sound damping attachments with plug and socket connection in the automotive sector
- The clamps are fully mounted and consist of loop, land and hexagon nut, zinc-plated

Contents

Article No.	Article Description	Quantity
3300 38	EXHAUST CLAMP M8 38MM	5
3300 42	EXHAUST CLAMP M8 42MM	5
3300 45	EXHAUST CLAMP M8 45MM	5
3300 48	EXHAUST CLAMP M8 48MM	5
3300 50	EXHAUST CLAMP M8 50MM	5
3300 52	EXHAUST CLAMP M8 52MM	5
3300 54	EXHAUST CLAMP M8 54MM	5
3300 100	RUB. BOOTS CL. HOLD. W. HOOK EMPTY	1

Article No.	Article Description	QTY
3300 10	EXHAUST CLAMP WALL SET	1



VW-Audi-Clamps

- Completely screwed with screw, nut and spring ring

Article No.	Article Description	QTY
3309 385	VW/AUDI CLAMP 38.5MM M8	10
3309 415	VW/AUDI CLAMP 41.5MM M8	10
3309 425	VW/AUDI CLAMP 42.5MM M8	10
3309 455	VW/AUDI CLAMP 45.5MM M8	10
3309 467	VW/AUDI CLAMP 46.7MM M8	10
3309 485	VW/AUDI CLAMP 48.5MM M8	10
3309 495	VW/AUDI CLAMP 49.5MM M8	10
3309 505	VW/AUDI CLAMP 50.5MM M8	10
3309 515	VW/AUDI CLAMP 51.5MM M10	10
3309 523	VW/AUDI CLAMP 52.3MM M10	10
3309 535	VW/AUDI CLAMP 53.5MM M10	10
3309 545	VW/AUDI CLAMP 54.5MM M10	10
3309 555	VW/AUDI CLAMP 55.5MM M10	10
3309 585	VW/AUDI CLAMP 58.5MM M10	10
3309 595	VW/AUDI CLAMP 59.5MM M10	10
3309 605	VW/AUDI CLAMP 60.5MM M10	10
3309 625	VW/AUDI CLAMP 62.5MM M10	10
3309 645	VW/AUDI CLAMP 64.5MM M10	10



Exhaust Clamps PRC

- Used for French manufacturers e.g. Peugeot, Renault, Citroen etc.
- Completely mounted

Article No.	Article Description	QTY
3304 59	EXHAUST CLAMP PRC 59MM	10
3304 67	EXHAUST CLAMP PRC 67MM	10
3304 70	EXHAUST CLAMP PRC 70MM	10
3304 797	EXHAUST CLAMP PRC 79.7MM	10



Ford Connecting Tube

- Completely with fastening clips

Article No.	Article Description	QTY
3310 365	CONNECTING TUBE IN36 OU39 90MM	e 10
3310 385	CONNECTING TUBE IN38 OU41 90MM	e 10
3310 425	CONNECTING TUBE IN42 OU49 90MM	e 10
3310 455	CONNECT.TUBE IN45 OU52.5 90MM	e 10



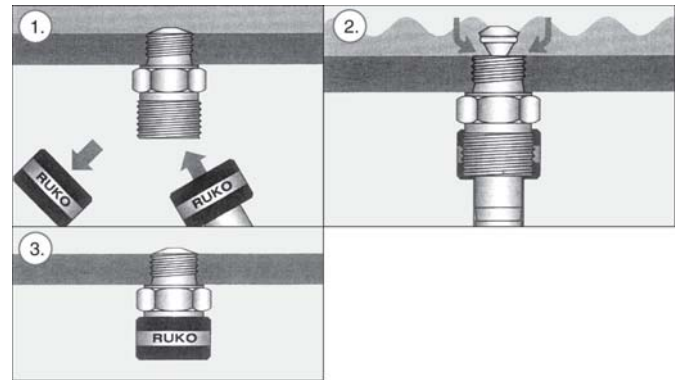
Technical Data			
Art. No.	Inside-Ø mm	Outside-Ø mm	Length mm
3310 36 5	36.5	39	100
3310 38 5	38.5	41	100
3310 42 5	42.5	49	90
3310 45 5	45.5	52.5	90

Oil Change Valve Screws System

- Oil change at high oil temperature, thus no soiling residues in the engine
- No dirty hands and ground because the oil flows through the drain tube directly into the used-oil tank
- No thread damage in the oil sump because the valve screw always stays in its position
- Oil seal change no longer

Application

1. Unscrew the dust protection cap, screw on the drain coupling
2. The valve opens then, the used oil drains off.
3. The valve closes when unscrewing the drain coupling. Screw on the dust protection cap.



Oil Change Valve Screws System

Technical Data

Art. No.	Thread	SW
1138 14 15	M 14 x 1.5	22
1138 16 15	M 16 x 1.5	22
1138 18 15	M 18 x 1.5	22
1138 20 15	M 20 x 1.5	27
1138 22 15	M 22 x 1.5	27
1138 24 15	M 24 x 1.5	30
1138 26 15	M 26 x 1.5	32
1138 30 15	M 30 x 1.5	36

Article No.	Article Description	QTY
1138 14 15	OIL CHANGE VALVE SCR.M14X1.5	1
1138 16 15	OIL CHANGE VALVE SCR.M16X1.5	1
1138 18 15	OIL CHANGE VALVE SCR.M18X1.5	1
1138 20 15	OIL CHANGE VALVE SCR.M20X1.5	1
1138 22 15	OIL CHANGE VALVE SCR.M22X1.5	1
1138 24 15	OIL CHANGE VALVE SCR.M24X1.5	1
1138 26 15	OIL CHANGE VALVE SCR.M26X1.5	1
1138 30 15	OIL CHANGE VALVE SCR.M30X1.5	1



Scope of delivery:

- With dust protection cap
- Copper sealing

Drain Coupling for Valve Screws

Article No.	Article Description	QTY
1138 1	DRAIN COUPLING M12-M22	1
1138 2	DRAIN COUPLING M24-M32	1
1138 5	DRAIN COUPLING 90°FOR M12-M22	1
1138 6	DRAIN COUPLING 90°FOR M24-M32	1



PVC Drain Tube for Drain Couplings

Article No.	Article Description	QTY
1138 10	DRAIN TUBE 30CM FOR M12-22	1
1138 11	DRAIN TUBE 30CM FOR M24-32	1



Oil Drain Plugs

- Specially designed for the automobile industry
- Art.-No. 1139 1 14: with captive sealing washer
- Art.-No. 1139 3 1: plastic, original equipment manufacturer OEM 1871598
- Art.-No. 1139 3 12: with captive sealing washer
- Art.-No. 1139 3 14 1: with rubber sealing washer (Art.-No. 2641 13)
- Art.-No. 1139 4 12: with rubber sealing washer (Art.-No. 2668 11 21)
- Art.-No. 1139 4 14: with O-ring (Art.-No. 2650 2 18)
- Art.-No. 1139 5 14 1: with captive sealing washer
- Art.-No. 1139 5 14 2: plastic, original equipment manufacturer OEM 06L 103 801

Article No.	Dimension	QTY
1139 1 12	M 12x1,5x18	z 25
1139 1 14	M 14x1,5x20	z 25
1139 2 12	M 12x1,5x12	z 25
1139 2 14 2	M 14x1,5x24	z 25
1139 3 1	37-x-x	z 25
1139 3 10	M 10x1,25x13	z 25
1139 3 14	M 14x1,5x16	z 25
1139 3 14 1	M 14x1,5x21	z 25
1139 4 12	M 12x1,75x25	z 25
1139 4 14	M 14x1,5x10	z 25
1139 4 14 1	M 14x1,5x12	z 25
1139 4 16	M 16x1,5x9	z 25
1139 4 18	M 18x1,5x10	z 25
1139 4 18 1	M 18x1,5x21	z 25
1139 5 14	M 14x1,5x16	z 25
1139 5 14 1	M 14x1,5x21	z 25
1139 5 14 2	x-x-20	z 25
1139 6 12	M 12x1,25x13	z 25

Technical Data	
For vehicle brand	SW mm
BMW	17
BMW / Mini, Chrysler	13
Mercedes-Benz	13
Mercedes-Benz	13
Ford	-
Ford	21
Ford	13
Ford	13
Opel	15
Opel	TX 45
Opel (VW to BJ' 98)	19
Opel	22
Opel	Hex 8
Opel	13
VW / Audi	19
VW / Audi	19
VW / Audi	-
Nissan	14

(d thread Ø × pitch × length mm)



Oil Drain Plugs in Assortment

Contents

Article No.	Article Description	Quantity
1139 1 12	BMW OIL DRAIN PLUG 12X1.5X18	5
1139 2 12	DB OIL DRAIN PLUG 12X1.5X12	5
1139 2 14 2	MB OIL DR.PL.M14X1.5X24BK13DP	5
1139 3 14	FORD OIL DRAIN PLUG M14X1.5X16	5
1139 3 14 1	FORD OIL DR.PLUG 14X1.5X21 W.W	5
1139 4 14	OPEL O.DRA.PLUG M14X1.5X10TX45	5
1139 4 14 1	OPEL OIL D.PLUG M14X1.5X12SW19	5
1139 4 16	OPEL OIL DRAIN PLUG M16X1.5X9	5
1139 4 18	OPEL OIL DRAIN PLUG M18X1.5X10	5
1139 5 14	VW/AUDI OIL DR.PLUG M14X1.5X11	5
1139 5 14 1	VW/A. OIL DR.PLUG M14X1.5X21 CW	5
1139 6 12	NISSAN OIL DR.PL.M12X1.25X13SW14	5
2600 12 18	SEAL.RING 7603 A CO 12X18X1.5	5
2600 14 20	SEAL.RING 7603 A CO 14X20X1.5	20
2600 16 22	SEAL.RING 7603 A CO 16X22X1.5	5
2620 12 18	SEAL.RING 7603 A ALU 12X18X1.5	5
2641 14	FD-SEA.RING ST/RUB.14.7X24X1.5	5
2667 11 17	NISSAN SEALING RING CU 11X17X3	5

Article No.	Article Description	QTY
9000 1139	ASS. SUMP OIL DRAIN PLUGS	1
9000R 1139	TRAY SUMP OIL DRAIN PLUGS	1



Sealing Paper

- Asbestos-free sealing material based on aramid fibre, combined with an optimised filler and bound using a temperature-resistant synthetic binder
- Allows independent sealing
- For sealing points not subject to high pressure or temperature, e.g. water, steam, air, oil, solvent, water-based solvent, weak acids/ alkali
- On control enclosures, drives, valve covers, oil pans, hydraulic and pneumatic systems, chemical apparatus, pumps and compressors
- The pressure, temperature and material bearing capacity of a flange seal is determined by construction factors, such as the thickness and web thickness of the seal, surface roughness and ripple of the flange, flange thickness etc.



Article No.	Article Description	QTY
2670 50 150 05	SEALING PAPER 500X1500X0.5MM	1
2670 50 150 10	SEALING PAPER 500X1500X1.0MM	1
2670 50 150 15	SEALING PAPER 500X1500X1.5MM	1
2670 50 150 20	SEALING PAPER 500X1500X2.0MM	1

Technical Data	
Colour:	grey / yellow
Max. pressure:	30 bar
Max. temperature:	120°C in continuous operation (150°C short-term)
Tests and approvals:	DVGW, KTW

Screw Sealing Rings

Article No.	Dimension	QTY
2640 5	5,7 × 10 × 1	20
2640 6	6,7 × 10 × 1	20
2640 7	7,1 × 12 × 1	20
2640 8	8,7 × 13 × 1	f 100
2640 10	10,7 × 16 × 1,5	f 100
2640 12	12,7 × 18 × 1,5	f 100
2640 13	13,7 × 20 × 1,5	f 100
2640 14	14,7 × 22 × 1,5	f 100
2640 16	16,7 × 24 × 1,5	g 50
2640 18	18,7 × 26 × 1,5	g 50
2640 20	20,7 × 28 × 1,5	g 50
2640 22	22,7 × 30 × 2	üg 50
2640 24	24,7 × 32 × 2	g 50
2640 27	27,2 × 36 × 2	g 50

- Yellow zinc-coated steel washers with vulcanised rubber sealing lip
- For securely sealing hex head bolts without sealing flange, plugs and flange connections against high pressure and vacuum
- Reusable



(Inside Ø × Outside Ø × Material thickness in mm)

Screws - Sealing Rings, Assortment

- Steel disc with vulcanised rubber lip
- M5 - M24 = 135 pieces

Contents

Article No.	Article Description	Quantity
2640 5	SCR. SEAL. WASH. 5.7X10X1 M 5	20
2640 6	SCR. SEAL. WASH. 6.7X10X1 M 6	20
2640 7	SCR. SEAL. WASH. 7.1X12X1 M 7	20
2640 8	SCR. SEAL. WASH. 8.7X13X1 M 8	10
2640 10	SCR. SEAL. WASH. 10.7X16X1.5 M	10
2640 12	SCR. SEAL. WASH. 12.7X18X1.5 M	10
2640 14	SCR. SEAL. WASH. 14.7X22X1.5 M	10
2640 16	SCR. SEAL. WASH. 16.7X24X1.5 M	10
2640 18	OPEL SE.R.ST/RU.18.7X26X1.5M18	10
2640 20	SCR. SEAL. WASH. 20.7X28X1.5 M	5
2640 22	SCR. SEAL. WASH. 22.7X30X2 M22	5
2640 24	SCR. SEAL. WASH. 24.7X32X2 M24	5

Article No.	Article Description	QTY
9000 2640	ASS.SEAL.WASH.W.RUBBER INSERT	1
9000R 2640	INTRAY SEAL.WASH.W.RUB.INSERT	1



Sealing Rings for Compress. Air Lines (brake ring)

Article No.	Dimension	QTY
2660 12 16	12×16	f 100
2660 14 18	14×18	f 100
2660 16 21	16×21	f 100
2660 18 22	18×22	f 100
2660 22 27	22×27	f 100

(Inside Ø × Outside Ø in mm)

- Brass ring with O-ring
- Suitable replacement O-ring:**
- Art.-No. 2650 2 10
- Art.-No. 2650 2 12
- Art.-No. 2650 2 15
- Art.-No. 2650 2 17
- Art.-No. 2650 24 203



Sealing Rings for Fuel Lines, Double

Article No.	Dimension	QTY
2609 8 12 8	8×12×8	fH 300
2609 8 12 13	8×12×13	fH 300

(Inside Ø × Outside Ø × Height in mm)



Ford Sealing Rings

Article No.	Dimension	QTY
2641 10 20	10×20×2	f 100
2665 12 20	12×20	fH 300
2665 145 22	14,5×22	fH 300
2641 13	13×22×3	f 100
2641 14	14,7×24×1,5	f 100

(Inside Ø × Outside Ø × Material thickness in mm)

- Art.-No. 2665 12 20, 2665 145 22:**
- Colour: white
- Version: plastic
- Art.-No. 2641 13:**
- Colour: black
- Version: rubber
- Art.-No. 2641 14:**
- Colour: gold / black
- Version: steel / rubber
- Art.-No. 2641 10 20:**
- Colour: copper
- Version: copper



Toyota Sealing Rings

Article No.	Dimension	QTY
2666 12 215	12×21,5	fH 300
2666 18 285	18×28,5	fH 300

(Inside Ø × Outside Ø in mm)

- Art.-No. 2666 12 215:**
- Toyota No. 9043012011
- Art.-No. 2666 12 285:**
- Toyota No. 9043018244



Nissan Sealing Rings Copper

Article No.	Dimension	QTY
2667 11 17	11×17×3	f 100
2667 16 225 3	16×22,5×3	f 100

(Inside Ø × Outside Ø × Material thickness in mm)

- Copper



Opel Sealing Rings

Article No.	Dimension	QTY
2650 2 18	2 × 18	g 100
2668 11 21	11 × 21 × 2,5	f 100
2640 18	18,7 × 26 × 1,5	g 50

(Inside Ø × Outside Ø × Material thickness in mm)

Art.-No. 2640 18:

- Yellow zinc-coated steel washer vulcanized rubber sealing lip
- Strength of rubber sealing lip: 2.5 mm
- OE-No.: 652543/93183670

Art.-No. 2650 2 18:

- Sealing ring made of Perbunan N
- Temperature resistant: -40°C to +130°C
- Fuel and oil-resistant
- Dimension: 18x22x2
- OE-No.: 652540

Art.-No. 2668 11 21:

- Material: NBR
- OE-No.: 652526/3536966



2640 18



2650 2 18



2668 11 21

Smart Sealing Rings

Article No.	Dimension	QTY
2600 22 32	22 × 32 × 1	50

(Inside Ø × Outside Ø × Material thickness in mm)

- Material: solid copper



Subaru Sealing Rings

Article No.	Dimension	QTY
2669 20 26	20 × 26 × 2	f 100

(Inside Ø × Outside Ø × Material thickness in mm)

- Steel / zinc-coated
- OE No.: 11126AA000



Honda Sealing Rings

Article No.	Dimension	QTY
2664 14 22	14 × 22 × 2	f 100

(Inside Ø × Outside Ø × Material thickness in mm)

- Aluminium
- OE-No.: 94109-14000



Car wiper blades, flat, universal **ECO**

- Universal multi-adapter system for 95 % of all makes / types of vehicle (supplied)
- Higher driving speeds possible compared with standard wiper blades
- Low storage costs and space requirement
- Practical packaging with Euro-standard holes
- Patented adapter system
- Nano-tech coating for streak-free wiping



Article No.	Article Description	QTY
3059N 325	WIPER BL.FLAT UNI 325MM 13"ECO	e 10
3059N 350	WIPER BL.FLAT UNI 350MM 14"ECO	e 10
3059N 375	WIPER BL.FLAT UNI 375MM 15"ECO	e 10
3059N 400	WIPER BL.FLAT UNI 400MM 16"ECO	e 10
3059N 425	WIPER BL.FLAT UNI 425MM 17"ECO	e 10
3059N 450	WIPER BL.FLAT UNI 450MM 18"ECO	e 10
3059N 475	WIPER BL.FLAT UNI 475MM 19"ECO	e 10

Article No.	Article Description	QTY
3059N 500	WIPER BL.FLAT UNI 500MM 20"ECO	e 10
3059N 525	WIPER BL.FLAT UNI 525MM 21"ECO	e 10
3059N 550	WIPER BL.FLAT UNI 550MM 22"ECO	e 10
3059N 600	WIPER BL.FLAT UNI 600MM 24"ECO	e 10
3059N 650	WIPER BL.FLAT UNI 650MM 26"ECO	e 10
3059N 700	WIPER BL.FLAT UNI 700MM 28"ECO	e 10

Wiper Blades Flat Pass.Car universal Set **ECO**

Article No.	Article Description	QTY
3059P 20	SET(20)WIPER BLAD.FLAT UNI.ECO	1

Contents:

- 5x Art.-No. 3059N 500 Wiper blades Flat Universal 500 mm 20" ECO
- 5x Art.-No. 3059N 525 Wiper blades Flat Universal 525 mm 21" ECO
- 5x Art.-No. 3059N 550 Wiper blades Flat Universal 550 mm 22" ECO
- 5x Art.-No. 3059N 600 Wiper blades Flat Universal 600 mm 24" ECO



Car wiper blades, flat, special **ECO**

- Special adapter system (supplied)
- Flexible solution for covering the most common OE wiper arms and newer generation vehicles
- Higher driving speeds possible compared with standard wiper blades
- Low storage costs and space requirement
- Practical packaging with Euro-standard holes
- Patented adapter system
- Nano-tech coating for streak-free wiping



Article No.	Article Description	QTY
3058N 380	WIPER BL.FLAT SPEC 380MM15"ECO	e 10
3058N 400	WIPER BL.FLAT SPEC 400MM16"ECO	e 10
3058N 425	WIPER BL.FLAT SPEC 425MM17"ECO	e 10
3058N 450	WIPER BL.FLAT SPEC 450MM18"ECO	e 10
3058N 475	WIPER BL.FLAT SPEC 475MM19"ECO	e 10
3058N 500	WIPER BL.FLAT SPEC 500MM20"ECO	e 10
3058N 525	WIPER BL.FLAT SPEC 525MM21"ECO	e 10

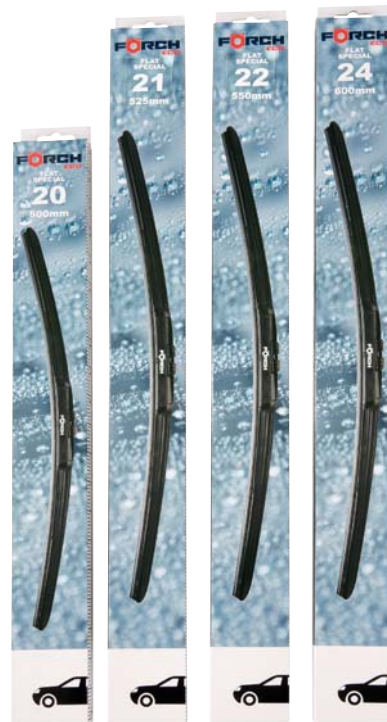
Article No.	Article Description	QTY
3058N 550	WIPER BL.FLAT SPEC 550MM22"ECO	e 10
3058N 600	WIPER BL.FLAT SPEC 600MM24"ECO	e 10
3058N 650	WIPER BL.FLAT SPEC 650MM26"ECO	e 10
3058N 700	WIPER BL.FLAT SPEC 700MM28"ECO	e 10
3058N 750	WIPER BL.FLAT SPEC 750MM30"ECO	e 10
3058N 800	WIPER BL.FLAT SPEC 800MM32"ECO	e 10

Wiper Bladed Flat Pass.Car special Set **ECO**

Article No.	Article Description	QTY
3058P 20	SET(20)WIP.BLAD.FLAT SPEC. ECO	1

Contents:

- 5x Art.-No. 3058N 500 Wiper blades Flat special 500 mm 20" ECO
- 5x Art.-No. 3058N 525 Wiper blades Flat special 525 mm 21" ECO
- 5x Art.-No. 3058N 550 Wiper blades Flat special 550 mm 22" ECO
- 5x Art.-No. 3058N 600 Wiper blades Flat special 600 mm 24" ECO



Wiper Blades Passenger Cars Universal **ECO**.

- Multi-adapter system for 95 % of all makes / types of vehicle (supplied)
- Low storage costs and space requirement
- Practical packaging with Euro-standard holes
- Sturdy metal bracket system
- Patented EZ-Lock adapter system



Article No.	Article Description	QTY
3059J 280	WIPER BLADE P.CAR 280MM 11"ECO	e 10
3059J 300	WIPER BLADE P.CAR 300MM 12"ECO	e 10
3059J 325	WIPER BLADE P.CAR 325MM 13"ECO	e 10
3059J 350	WIPER BLADE P.CAR 350MM 14"ECO	e 10
3059J 380	WIPER BLADE P.CAR 380MM 15"ECO	e 10
3059J 400	WIPER BLADE P.CAR 400MM 16"ECO	e 10
3059J 425	WIPER BLADE P.CAR 425MM 17"ECO	e 10
3059J 450	WIPER BLADE P.CAR 450MM 18"ECO	e 10

Article No.	Article Description	QTY
3059J 475	WIPER BLADE P.CAR 475MM 19"ECO	e 10
3059J 500	WIPER BLADE P.CAR 500MM 20"ECO	e 10
3059J 525	WIPER BLADE P.CAR 525MM 21"ECO	e 10
3059J 550	WIPER BLADE P.CAR 550MM 22"ECO	e 10
3059J 600	WIPER BLADE P.CAR 600MM 24"ECO	e 10
3059J 650	WIPER BLADE P.CAR 650MM 26"ECO	e 10
3059J 700	WIPER BLADE P.CAR 700MM 28"ECO	e 10

Wiper Blades Metal-Univers.Set 35-pce **ECO**.

Article No.	Article Description	QTY
3059P 35	SET(35)WIPER BL.MET.UNIV.ECO.	1

Contents:

- 5x Art.-No. 3059J 400 Wiper blades car, 400 mm 16" ECO.
- 5x Art.-No. 3059J 450 Wiper blades car, 450 mm 18" ECO.
- 5x Art.-No. 3059J 475 Wiper blades car, 475 mm 19" ECO.
- 5x Art.-No. 3059J 500 Wiper blades car, 500 mm 20" ECO.
- 5x Art.-No. 3059J 525 Wiper blades car, 525 mm 21" ECO.
- 5x Art.-No. 3059J 550 Wiper blades car, 550 mm 22" ECO.
- 5x Art.-No. 3059J 600 Wiper blades car, 600 mm 24" ECO.

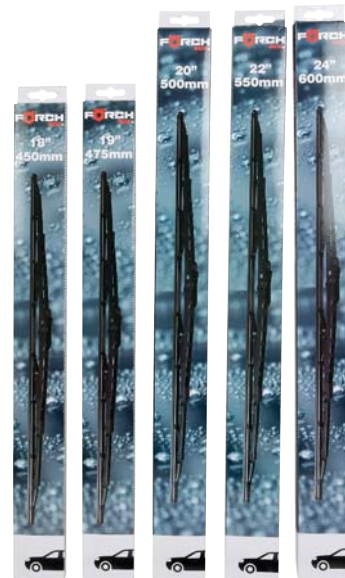


Wiper Blades Set Passenger Car **ECO**.

Article No.	Article Description	QTY
3059P 80	SET WIPER BLADES PASS.CAR ECO.	1

Contents:

- 20x Art.-No. 3059J 450: Wiper blades car, 450 mm 18" ECO.
- 20x Art.-No. 3059J 475: Wiper blades car, 475 mm 19" ECO.
- 20x Art.-No. 3059J 500: Wiper blades car, 500 mm 20" ECO.
- 10x Art.-No. 3059J 550: Wiper blades car, 550 mm 22" ECO.
- 10x Art.-No. 3059J 600: Wiper blades car, 600 mm 24" ECO.



VARO Windscreen Wiper Display Rack

- Dimensions (H x W x D): 2,165 x 783 x 400 mm
- Clear and space-saving arrangement
- Customer-orientated, encourages sales
- Simple inventory control
- The utmost stability through a wall-mount, or with 2 windscreen wiper display racks screwed back-to-back
- Up to 20 hooks for a perforated wall available for different types of wiper



Article No.	Article Description	QTY
9100 41	VARIO CABINET	1

Scope of delivery:

- Wall attachment set, assembly instructions

Compatible accessories:

- Art.-No. 9101 1200: slat wall hooks

Wiper blade usage list:

- Art.-No. 9890 25: SWF car/commercial vehicle
- Art.-No. 9890 3058 3059: ECO Flat wiper blades vehicle
- Art.-No. 9890 3059: ECO Metal wiper bl.vehicle
- Art.-No. 9890 3059 9: ECO Metal wiper bl. comm.vehicle

Passenger Car Wipe Blade Application List **ECO**

- Application list for passenger vehicles
- Truck application list
- List of adapters included in every application list

Article No.	Article Description	QTY
9890 3058 3059	APPL.LIST WIP.BL.VEHICLE ECO	1
9890 3059 9	APPL.LIST METAL COMM.VEH.ECO.	1

Wiper Blade Sales Display

- Cardboard display for selling wiper blades
- Capacity: 75 single blades
- Assembled without additional adhesive tape

Article No.	Article Description	QTY
3059 3058 3059	SALES DISPLAY WIPER BLADES	1
3059P 75 1	WIPER BLADES INCL. DISPLAY	1

Contents Art.-No. 3059P 75 1:

- 5x Art.-No. 3059J 400: Passenger vehicle wiper blades, 400 mm 16" ECO.
- 5x Art.-No. 3059J 450: Passenger vehicle wiper blades, 450 mm 18" ECO.
- 5x Art.-No. 3059J 475: Passenger vehicle wiper blades, 475 mm 19" ECO.
- 5x Art.-No. 3059J 500: Passenger vehicle wiper blades, 500 mm 20" ECO.
- 5x Art.-No. 3059J 525: Passenger vehicle wiper blades, 525 mm 21" ECO.
- 5x Art.-No. 3059J 550: Passenger vehicle wiper blades, 550 mm 22" ECO.
- 5x Art.-No. 3059J 600: Passenger vehicle wiper blades, 600 mm 24" ECO.
- 5x Art.-No. 3059N 500: Flat Universal wiper blades, 500 mm 20" ECO
- 5x Art.-No. 3059N 525: Flat Universal wiper blades, 525 mm 21" ECO
- 5x Art.-No. 3059N 550: Flat Universal wiper blades, 550 mm 22" ECO
- 5x Art.-No. 3059N 600: Flat Universal wiper blades, 600 mm 24" ECO
- 5x Art.-No. 3058N 500: Flat special wiper blades, 500 mm 20" ECO
- 5x Art.-No. 3058N 525: Flat special wiper blades, 525 mm 21" ECO
- 5x Art.-No. 3058N 550: Flat special wiper blades, 550 mm 22" ECO
- 5x Art.-No. 3058N 600: Flat special wiper blades, 600 mm 24" ECO



3059 3058 3059

3059P 75 1

Wiper Blades

- SWF original-wiper-blade-programme guarantees for highest quality
- With wear display
- More reliability and security when driving
- Application list as pocket book available under Art. No. 9890 25
- Application list as wall calendar available under Art. No. 9890 24



Single Wiper Blades

Article No.	Article Description	QTY
3055 116 109	WIPER BLADE CAR 450MM/1	1
3055 116 112	WIPER BLADE CAR 500MM/1	1
3055 116 116	WIPER BLADE CAR 280MM	1
3055 116 117	WIPER BLADE CAR 260MM	1
3055 116 119	WIPER BLADE CAR 340MM	1
3055 116 120	WIPER BLADE CAR 380MM	1
3055 116 121	WIPER BLADE CAR 400MM	1
3055 116 122	WIPER BLADE CAR 400MM/1	1
3055 116 124	WIPER BLADE CAR 425MM	1
3055 116 125	WIPER BLADE CAR 450MM	1
3055 116 126	WIPER BLADE CAR 475MM	1
3055 116 129	WIPER BLADE CAR 475MM/1	1
3055 116 131	WIPER BLADE CAR 650MM/1	1
3055 116 133	WIPER BLADE CAR 525MM	1
3055 116 134	WIPER BLADE CAR 530MM	1
3055 116 135	WIPER BLADE CAR 600MM/1	1
3055 116 136	WIPER BLADE CAR 530MM/1	1
3055 116 137	WIPER BLADE CAR 650MM	1
3055 116 140	WIPER BLADE CAR 700MM/1	1
3055 116 141	WIPER BLADE CAR 575MM	1
3055 116 148	WIPER BLADE CAR 600MM/3	1
3055 116 153	WIPER BLADE CAR 650MM/1	1

Article No.	Article Description	QTY
3055 116 154	WIPER BLADE CAR 570MM	1
3055 116 162	WIPER BLADE CAR 450MM/4	1
3055 116 166	WIPER BLADE CAR 550MM/2	1
3055 116 168	WIPER BLADE CAR 640MM	1
3055 116 191	WIPER BLADE CAR 530MM/2	1
3055 116 192	WIPER BLADE CAR 530MM/2	1
3055 116 194	WIPER BLADE CAR 530MM/2	1
3055 116 500	WIPER BLADE CAR REAR 260 MM	1
3055 116 505	WIPER BLADE CAR REAR 240MM	1
3055 116 510	WIPER BLADE CAR REAR 300MM	1
3055 116 514	WIPER BLADE CAR REAR 300MM/3	1
3055 116 515	WIPER BLADE CAR REAR 300MM	1
3055 116 516	WIPER BLADE CAR REAR 310MM	1
3055 116 520	WIPER BLADE CAR REAR 300MM/1	1
3055 116 530	WIPER BLADE CAR REAR 300MM/2	1
3055 116 531	WIPER BLADE CAR REAR 345MM	1
3055 116 532	WIPER BLADE CAR REAR 345MM/1	1
3055 116 533	WIPER BLADE CAR 345MM/2	1
3055 116 540	WIPER BLADE CAR REAR 350MM	1
3055 116 546	WIPER BLADE CAR REAR 350MM/1	1
3055 116 550	WIPER BLADE CAR REAR 400MM/1	1
3055 116 570	WIPER BLADE CAR REAR 500MM	1

Wiper Blade Set

Article No.	Article Description	QTY
3055 116 301	(SET)WIPER BLADECAR450SP/450MM	1
3055 116 307	(SET)WIPER BLADECAR 500/450MM	1
3055 116 310	(SET)WIPER BLADECAR 530/475MM	1
3055 116 311	(SET)WIPER BLADECAR 530SP/475M	1
3055 116 313	(SET)WIPER BLADECAR 530SP/500M	1
3055 116 314	(SET)WIPER BLADECAR 530SP/530M	1
3055 116 334	(SET)WIPER BLADECAR 650/560MM	1
3055 116 335	(SET)WIPER BLADECAR 500SP/475M	1
3055 116 336	(SET)WIPER BLADECAR 680/650MM	1
3055 116 337	(SET)WIPER BLADECAR 600/600MM	1

Article No.	Article Description	QTY
3055 116 339	(SET)WIPER BLADECAR 580/500MM	1
3055 116 340	(SET)WIPER BLADECAR 600/525MM	1
3055 116 341	(SET)WIPER BLADECAR600/600MM/1	1
3055 116 342	SET)WIPER BLADECAR 550/550MM	1 w
3055 116 346	(SET)WIPER BLADECAR 600/450MM	1
3055 116 348	(SET)WIPER BLADECAR550/550MM/1	1
3055 116 351	(SET)WIPER BLADECAR530/475MM/1	1
3055 116 352	(SET)WIPER BLADECAR 650/650MM	1
3055 116 365	(SET)WIPER BLADECAR 700/650MM	1
3055 116 366	(SET)WIPER BLADECAR 530/530/2	1

Pair Wiper Blades

Article No.	Article Description	QTY
3055 116 218	(PAIR)WIPER BLADECAR475/475MM	1
3055 116 220	(PAIR)WIPER BLADECAR 500MM	1
3055 116 222	(PAIR)WIPER BLADECAR 530/530MM	1
3055 116 226	(PAIR)WIPER BLADECAR 450MM	1

Spoiler Wiper Blades

Article No.	Article Description	QTY
3055 116 601	WIPER BLADE CAR SPOILER 400MM	1
3055 116 602	WIPER BLADE CAR SPOILER 450MM	1
3055 116 604	WIPER BLADE CAR SPOILER 500MM	1
3055 116 606	WIPER BLADE CAR SPOILER 550MM	1
3055 116 607	WIPER BLADE CAR SPOILER 530MM	1
3055 116 612	WIPER BLADE CAR SPOILER 600MM	1
3055 116 615	WIPER BLADE CAR SPOILER 600MM	1
3055 116 616	WIPER BLADE CAR SPOILER 600MM	1
3055 116 618	WIPER BLADE CAR SPOILER 650MM	1
3055 116 619	WIPER BLADE CAR SPOILER 600MM	1
3055 116 622	WIPER BLADE CAR SPOILER 700MM	1
3055 116 623	WIPER BLADE CAR REAR 475MM	1

H-Blade Wiper Blades

- Brand: SWF
- The windscreen is wiped smoothly and silently thanks to the high quality wiper blade
- Combined the characteristics of a conventional and flat wiper
- Spoiler that covers the entire length of the wiper blade with an „anti-wind lift“ shape



Article No.	Article Description	QTY
3055 116 187	WIPER BLADE H-BLADE 700MM	1

Wiper Blades, Visioflex

- Brand: SWF
- Highest washing quality at all speeds, due to the excellent aerodynamic mics
- Better sight due to low installation height
- 30 % less noise emission due the improved aerodynamik
- Better winter suitability of the anit-freeze joints



Single Wiper Blades, Visioflex

Article No.	Article Description	QTY
3055 119 502	WIPER BLADE CAR REAR VF 405MM	1
3055 119 503	WIPER BLADE CAR REAR VF 455MM	1
3055 119 504	WIPER BLADE CAR REAR VF 335MM	1
3055 119 507	WIPER BLADE CAR REAR VF 400MM	1
3055 119 508	WIPER BLADE CAR REAR VF 425MM	1
3055 119 509	WIPER BLADE CAR REAR VF 480MM	1
3055 119 511	WIPER BLADE CAR REAR VF 380MM	1
3055 119 514	WIPER BLADE CAR REAR VF 285MM	1
3055 119 515	WIPER BLADE CAR REAR VF 280MM	1
3055 119 516	WIPER BLADE CAR REAR VF 250MM	1
3055 119 517	WIPER BLADE CAR REAR VF 330MM	1
3055 119 518	WIPER BLADE CAR REAR VF 345MM	1
3055 119 519	WIPER BLADE CAR REAR VF 400/1	1
3055 119 520	WIPER BLADE CAR REAR VF 240MM	1
3055 119 522	WIPER BLADE CAR REAR VF 280MM	1
3055 119 523	WIPER BLADE CAR REAR VF280MM/2	1
3055 119 525	WIPER BLADE CAR REAR VF400MM/3	1

Wiper Blades, Upgrade, Visioflex

- With special adapter system in order to upgrade the vehicles with commercially available wipers with the new Visioflex wipers

Article No.	Article Description	QTY
3055 119 710	(SET)WIPER BLADE CAR VN475/475	1
3055 119 711	(SET) WIPER CAR VN475/475MM/1	1
3055 119 725	(SET)WIPER BLADE CAR VN530/450	1
3055 119 726	(SET)WIPER BLADE CAR VN530/500	1
3055 119 728	SET WIP.BLADE CAR VN530/475MM	1
3055 119 729	SET WIP.BLA.CAR VN530/450MM/1	1
3055 119 739	SET WIP.BLADE CAR VN500/450MM	1
3055 119 740	(SET)WIPER BLADE CAR VN550/475	1
3055 119 741	(SET)WIPER BLADE CAR VN550/500	1
3055 119 742	(SET)WIPER BLADE CAR VN550/500	1
3055 119 743	(SET)WIPER BLADE CAR VN550/530	1
3055 119 744	SET WIP.BLADE CAR VN550/400MM	1
3055 119 745	SET WIP.BLA.CAR VN530/500MM/1	1
3055 119 746	(SET)WI.BL.CAR VN600/500MM/2	1
3055 119 760	(SET)WIPER BLADE CAR VN600/400	1
3055 119 761	(SET)WIPER BLADE CAR VN600/450	1
3055 119 762	(SET)WIPER BLADE CAR VN600/475	1
3055 119 763	(SET)WIPER BLADE CAR VN600/500	1
3055 119 764	(SET)WIPER BLADE CAR VN600/530	1
3055 119 780	(SET)WIPER BLADE CAR VN650/400	1
3055 119 781	SET WIP.BLADE CAR VN600/550MM	1
3055 119 782	SET WIP.BLADE CAR VN650/550MM	1
3055 119 783	(SET)WIPER BLADE CAR VN 650MM	1
3055 119 785	(SET)WIPER BLADE CAR VN700/650	1
3055 119 786	(SET)WIPER BLADE CAR VN500/530	1

Wiper Blades Visioflex-Set

• Brand: SWF

Article No.	Article Description	QTY
3055 119 255	SET WIPER BLADE CAR VN550/450	1
3055 119 256	SET WIPER BL. VF580/530MM/2	1
3055 119 257	SET WIPER BLADE CAR VN475/500	1
3055 119 258	SET WIP.BLADE CAR VF550/550/2	1
3055 119 259	SET WIP.BLADE CAR VF600/400/1	1
3055 119 260	SET WIP.BLADE CAR VF600/400/1	1
3055 119 261	SET WIP.BLADE CAR VF600/400/1	1
3055 119 262	SET WIP.BLADE CAR VF600/400/1	1
3055 119 263	SET WIP.BLADE CAR VF600/400/1	1
3055 119 264	SET WIP.BLADE CAR VF600/400/1	1
3055 119 265	SET WIP.BLADE CAR VF600/400/1	1
3055 119 268	SET WIPER BL. VF600/500MM/5	1
3055 119 269	SET WIP.BLADE CAR VF650/340/2	1
3055 119 270	SET WIP.BLADE CAR VF600/450/3	1
3055 119 271	SET WIP.BLADE CAR VF650/400/5	1
3055 119 272	SET WIP.BLADE CAR VF650/450MM	1
3055 119 273	SET WIP.BL.CAR VF650/475MM/5	1
3055 119 274	SET WIP.BLADE CAR VF650/450/1	1
3055 119 275	SET WIP. BLADE CAR VF600/600/2	1
3055 119 276	SET WIP.BL.CAR VF600/475MM/7	1
3055 119 278	SET WIP.BLADE CAR VF600/400/1	1
3055 119 281	SET WIP.BLADE CAR VF600/400/1	1
3055 119 282	SET WIP.BLADE CAR VF600/400/1	1
3055 119 283	SET WIP.BLADE CAR VF600/400/1	1
3055 119 284	SET WIP.BLADE CAR VF600/400/1	1
3055 119 285	SET WIP.BLADE CAR VF600/400/1	1
3055 119 286	SET WIP.BL. CAR VF550/475MM/2	1
3055 119 287	SET WIP.BLADE CAR VF600/400/1	1
3055 119 288	SET WIP.BLA.CAR VF600/475MM/6	1
3055 119 290	SET WIP.BLADE CAR VF600/350MM	1
3055 119 291	SET WIP.BLA.CAR VF600/450MM/2	1
3055 119 292	SET WIP.BLA.CAR VF550/530MM	1
3055 119 293	SET WIP.BLA.CAR VF550/530MM/1	1
3055 119 294	SET WIP.BLA.CAR VF600/500MM/1	1
3055 119 296	SET WIP.BLA.CAR VF600/500MM/2	1
3055 119 297	SET WIP.BLA.CAR VF600/500MM/4	1
3055 119 298	SET WIP.BLA.CAR VF600/450MM/1	1
3055 119 299	SET WIP.BLADE CARVF600/600MM/1	1
3055 119 300	SET WIP.BLA.CAR VF600/380MM	1
3055 119 301	SET WIP.BLA.CAR VF530/475MM	1
3055 119 303	SET WIP.BLA.CAR VF530/530MM	1
3055 119 305	SET WIP.BLA.CAR VF600/475MM/3	1
3055 119 308	SET WIP.BLA.CAR VF580/580MM	1
3055 119 312	SET WIP.BLAD.CAR VF600/475MM/2	1
3055 119 313	SET WIP.BL.CAR VF550/475MM/3	1
3055 119 318	SET WIPER BLAD.CAR VF500/500MM	1
3055 119 319	SET WIP.BLADE CAR VF530/475MM	1
3055 119 321	SET WIP.BLADE CAR VF530/530MM	1
3055 119 322	SET WIP.BLAD.CAR VF530/530MM/71	1
3055 119 323	SET WIP.BLADE CAR VF550/550MM	1
3055 119 328	SET WIP.BLADE CAR VF550/450MM	1
3055 119 330	SET WIP.BLADE CAR VF600/400MM	1
3055 119 332	SET WIP.BLADE CAR VF600/450 MM	1
3055 119 335	SET WIP.BLA.CAR VF750/750MM/2	1
3055 119 336	SET WIP.BL.CAR VF680/680MM	1
3055 119 340	SET WIP.BLAD.CAR VF600/600MM/3	1
3055 119 350	SET WIP.BLADE CAR VF550/480 MM	1
3055 119 353	SET WIP.BLADE CAR VF560/560MM	1
3055 119 354	SET WIP.BLA.CAR VF560/560MM/1	1
3055 119 355	SET WIP.BLAD.CAR VF600/475MM/2	1
3055 119 356	SET WIP.BLADE CAR VF600/550MM	1
3055 119 357	SET WIP.BLADE CAR VF600/580MM	1
3055 119 358	SET WIP.BLADE CAR VF580/590MM	1
3055 119 360	SET WIP.BLADE CAR VF600/600 MM	1

Article No.	Article Description	QTY
3055 119 362	SET WIP.BLA.CAR VF550/400MM	1
3055 119 363	SET WIP.BLA.CAR VF600/475MM/1	1
3055 119 367	SET WIP.BLA.CAR VF550/475MM	1
3055 119 369	SET WIP.BLA.CAR VF580/450MM	1
3055 119 371	SET WIP.BLA.CAR VF600/425MM	1
3055 119 372	SET WIP.BLA.CAR VF600/550MM	1
3055 119 374	SET WIP.BLA.CAR VF600/500MM/3	1
3055 119 376	SET WIP.BLA.CAR VF580/475MM	1
3055 119 378	SET WIP.BLA.CAR VF600/400MM	1
3055 119 380	SET WIP.BLADE CAR VF650/550MM	1
3055 119 381	SET WIP.BLADE CAR VF650/650MM	1
3055 119 382	SET WIP.BLADE CAR VF700/600MM	1
3055 119 383	SET WIP.BLADE CAR VF700/700MM	1
3055 119 384	SET WIP.BLADE CAR VF650/475 MM	1
3055 119 385	SET WIP.BLA.CAR VF650/400MM/1	1
3055 119 387	SET WIP.BLADES CAR VF580/530MM	1
3055 119 388	SET WIP.BLADE CAR VF650/600MM	1
3055 119 389	SET WIP.BLA.CAR VF700/700MM/1	1
3055 119 390	SET WIP.BLA.CAR VF650/500MM/1	1
3055 119 391	SET WIP.BLA.CAR VF700/600MM/1	1
3055 119 392	SET WIP.BLA.CAR VF580/530MM/1	1
3055 119 393	SET WIP.BLA.CAR VF650/475MM/1	1
3055 119 394	SET WIP.BLADE CAR VF650/420MM	1
3055 119 395	SET WIP.BLADE CAR VF650/580MM	1
3055 119 396	SET WIP.BLADE CAR VF650/400MM	1
3055 119 397	SET WIP.BLADE CAR VF700/530MM	1
3055 119 398	SET WIP.BLADE CAR VF700/650MM	1
3055 119 399	SET WIP.BLADE CAR VF700/550MM	1
3055 119 401	SET WIP.BLA.CAR VF700/650MM/1	1
3055 119 402	SET WIP.BLA.CAR VF700/650MM/2	1
3055 119 403	SET WIP.BLA.CAR VF650/550MM/1	1
3055 119 404	SET WIPER CAR VF650/650MM/1	1
3055 119 407	SET WIPER CAR VF650/600MM/1	1
3055 119 408	SET WIPER CAR VF650/475MM/1	1
3055 119 412	SET WIP.BLADES CAR VF660/390MM	1
3055 119 414	SET WIP.BLAD.CAR VF650/500MM/2	1
3055 119 415	SET WIP.BLAD.CAR VF650/650MM/1	1
3055 119 416	SET WIP.BLADES CAR VF650/550MM	1
3055 119 418	SET WIP.BLADES CAR VF650/480MM	1
3055 119 420	SET WIP.BLAD.CAR VF650/400MM/2	1
3055 119 422	SET WIP.BLAD.CAR VF650/650MM/2	1
3055 119 424	SET WIP.BLA.CAR VF580/580MM/1	1
3055 119 426	SET WIP.BLA.CAR VF700/550MM/1	1
3055 119 428	SET WIP.BLA.CAR VF350/350MM	1
3055 119 429	SET WIP.BLA.CAR VF650/400MM	1
3055 119 430	SET WIP.BLADE CAR VF650/600MM	1
3055 119 431	SET WIP.BLADE CAR VF650/475/6	1
3055 119 432	SET WIP.BLA.CAR VF640/520MM	1
3055 119 439	SET WIP.BLA.CAR VF700/700MM/3	1
3055 119 441	SET WIP.BLA.CAR VF700/400M	1
3055 119 442	SET WIP.BLA.CAR VF700/580MM	1
3055 119 443	SET WIP.BLADE CAR VF750/750MM	1
3055 119 444	SET WIP.BLA.CAR VF730/630MM	1
3055 119 445	SET WIP.BLA.CAR VF730/730MM	1
3055 119 447	SET WIP. BLADE CAR VF750/630MM	1
3055 119 448	SET WIP.BLA.CAR VF750/650MM/2	1
3055 119 451	SET WIP.BLADES CAR VF800/750MM	1
3055 119 452	SET WIPER BLA.CAR VF750/450MM	1
3055 119 454	SET WIP.BLA.CAR VF800/750MM	1
3055 119 455	SET WIP.BLA.CAR VF750/700MM	1
3055 119 456	SET WIP.BLA.CAR VF750/650MM/1	1
3055 119 457	SET WIP.BLA.CAR VF810/690MM	1
3055 119 458	SET WIP.BLA.CAR VF800/750MM	1
3055 119 615	SET WIP.BL.CAR VF630/630MM	1

Wiper Blades Visionext

- Brand: SWF
- Highest washing quality at all speeds
- Optimum curvature of the spring rail
- Pre-mounted universal adapter
- Covers approx. 83% of the vehicles
- Maximum vehicle coverage at low storage requirements

Article No.	Article Description	QTY
3055 119 835	WIP.BLADE CAR VISIONEXT 350MM	1
3055 119 838	WIP.BLADE CAR VISIONEXT 380MM	1
3055 119 840	WIP.BLADE CAR VISIONEXT 400MM	1
3055 119 845	WIP.BLADE CAR VISIONEXT 450MM	1
3055 119 848	WIP.BLADE CAR VISIONEXT 480MM	1
3055 119 850	WIP.BLADE CAR VISIONEXT 500MM	1
3055 119 853	WIP.BLADE CAR VISIONEXT 530MM	1
3055 119 855	WIP.BLADE CAR VISIONEXT 550MM	1
3055 119 860	WIP.BLADE CAR VISIONEXT 600MM	1
3055 119 865	WIP.BLADE CAR VISIONEXT 650MM	1



Replacement Wiper Blades

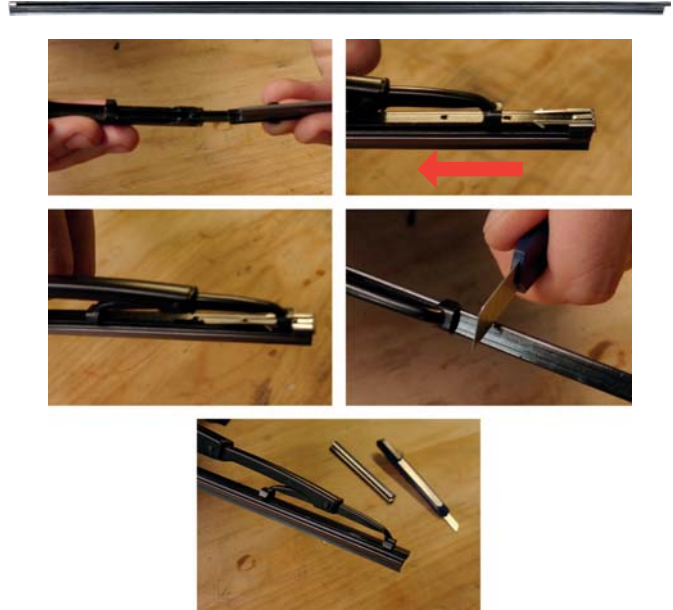
- Plastic reinforced back for easy assembly
- End clamp made from stainless steel for a secure hold
- Suitable for most vehicles

Article No.	Article Description	QTY
3054 600	REPLAC.WIPER BLADES CAR 600MM	50
3054 700	REPLAC.WIPER BLADES CAR 700MM	50
3054 760	REPLAC.WIPER BLADES VEH. 760MM	20
3054 1000	REPLAC.WIPER BLADES VEH.1000MM	20

Instruction:

- Remove the used wiper blade
- Insert reinforced back in to all wiper clamps until the end clamp locks
- Trim the excess length. The spare wiper blade should jut out from the free end by approx. 12 mm

Note: Before fitting the wiper blade, check whether the supportive back glides freely in the holding brackets. If necessary, bend it slightly using pliers. After fitting, the wiper must be at right angles to the windscreen. If necessary, align the wiper arm.



Wiper blades protective cover

- Protects the rear wiper during the washing procedure in the car wash
- Transparent MDPE-protective cover
- Dimension (L x W): 60 x 7 cm
- Foil thickness: 30 µ

Article No.	Article Description	QTY
5419 16	P(100PCS)WIPER BL.PROT.COVER	1



Radiator Hose Repair Kit, 129-Piece

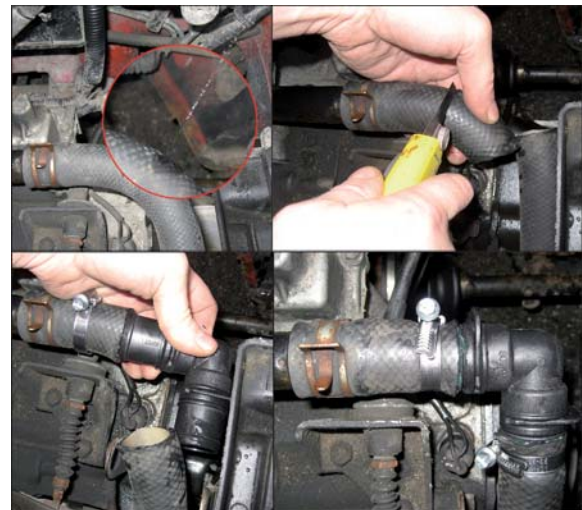
- Assortment in VAROBOXX 1
- 129 parts
- Repair kit for rubber hoses in all common diameters (16, 20, 24, 25, 26 and 32 mm)
- The wide range of accessories makes quick and professional repair in all areas of the cooling water circuit possible
- With the supplied pieces of tubing also heavy damages can be handled by attaching a new piece of tubing

Application:

- Cut out the defective piece of tubing and repair using the supplied hose connector or connecting piece

Contents

Art.-No.	Art.-Description	Quantity
3200 12 20	HOSE CL TOR 9MM SW7 W2 12-22	4
3200 16 25	HOSE CL TOR 9MM SW7 W2 16-27	4
3200 23 35	HOSE CL TOR 9MM SW7 W2 23-35	4
3200 25 40	HOSE CL TOR 9MM SW7 W2 25-40	4
3919 050 20	BLIND PLUG	4
3919 051 20	SAFETY CLAMP	25
3919 052 20	O-RING 3.5X20MM	25
3919 150	RADIATOR HOSE GW Ø15MM L220MM	2
3919 200	RADIATOR HOSE GW Ø20MM L220MM	2
3919 250	RADIATOR HOSE GW Ø25MM L220MM	2
3919 320	RADIATOR HOSE GW Ø32MM L220MM	2
3919 885 19 8	T-HOSE CNCTR.RED.TYPE TRS 19/8	1
3919 900 4	HOSE CONNECTING PIECE GS4MM	2
3919 901 10	HOSE CONNECTING PIECE GS10MM	1
3919 902 12	HOSE CONNECTING PIECE GS12MM	1
3919 903 15	HOSE CONNECTING PIECE GS15MM	1
3919 904 19	HOSE CONNECTING PIECE GS19MM	1
3919 905 22	HOSE CONNECTING PIECE GS22MM	1
3919 911 10	L-HOSE CONNECT.PIECE LS 10	1
3919 912 12	L-HOSE CONNECT.PIECE LS 12	1
3919 913 15	L-HOSE CONNECT.PIECE LS 15	1
3919 914 19	L-HOSE CONNECT.PIECE LS 19	1
3919 920 10 12	REDUCING ADAPT.TYPE GRS 10/12	1
3919 921 12 15	REDUCING ADAPT.TYPE GRS 12/15	1
3919 922 15 19	REDUCING ADAPT.TYPE GRS 15/19	1
3919 928 4	T-HOSE CONNECT.PIECE TS 4	2
3919 929 6	T-HOSE CONNECT.PIECE TS 6	1
3919 930 8	T-HOSE CONNECT.PIECE TS 8	1
3919 931 10	T-HOSE CONNECT.PIECE TS 10	1
3919 932 12	T-HOSE CONNECT.PIECE TS 12	1
3919 933 15	T-HOSE CONNECT.PIECE TS 15	1
3919 934 19	T-HOSE CONNECT.PIECE TS 19	1
3919 935 12 8	T-HOSE CNCTR.REDUCE.TRS 12/8	1
3919 936 19 10	T-HOSE CNCTR.REDUCE.TRS 19/10	1
3919 941 25 20	T-HOSE CONNECTING PIECE 25/20	1
3919 942 32 20	T-HOSE CONNECTING PIECE 32/20	1
3919 943 38 20	T-HOSE CONNECTING PIECE 38/20	1
3919 946 20	CONNECTING PIECE FEMALE	1
3919 947 20	L-CONNECTNG PIECE FEMALE+MALE	1
3919 948 20	L-CONNECT.PIECE FEMALE+FEMALE	1
3919 949 20	CONNECTING PIECE MALE	1
3919 952 12	CONNECT.PIECE-HOSE CNCTR.12MM	3
3919 953 15	CONNECT.PIECE-HOSE CNCTR.15MM	3
3919 954 19	CONNECT.PIECE-HOSE CNCTR.19MM	3
3919 955 22	CONNECT.PIECE-HOSE CNCTR.22MM	3
3919 956 25	CONNECT.PIECE-HOSE CNCTR.25MM	3
3919 957 32	CONNECT.PIECE-HOSE CNCTR.32MM	3
9003 1	VAROBOXX SIZE:1 EMPTY	2
9004 0 1	COVER INLAY VAROBOXX	2
9004 1 0	INSET BOX GREY SIDE.VAROBOXX 1	2
9004 1 0 1	DIVI.INSET BOX SIZE VAROBOXX 1	1
9004 1 5 10	INS.BOX YELL.5X10CM VAROBOXX 1	25
9004 1 10 10	INS.BOX BLUE10X10CM VAROBOXX 1	3



Article No.	Article Description	QTY
3919 1	RADIATOR HOSE REPAIR KIT	1

Radiator Hose Repair Kit, Individual Parts



3919 150 15 x 3.5 x 220 mm
 3919 200 20 x 3.5 x 220 mm
 3919 250 25 x 3.5 x 220 mm
 3919 320 32 x 4.0 x 220 mm



3919 941 25 20 25 mm
 3919 942 32 20 32 mm
 3919 942 38 20 38 mm



3919 952 12 12 mm
 3919 953 15 15 mm
 3919 954 19 19 mm
 3919 955 22 22 mm
 3919 956 25 25 mm
 3919 957 32 32 mm



3919 885 19 8 19/8 mm



3919 935 12 8 12/15 - 8/10 mm
 3919 936 19 10 19/22 - 10/12 mm



3919 928 4 4 mm
 3919 929 6 6 mm
 3919 930 8 8 mm
 3919 931 10 10 mm
 3919 932 12 12 mm
 3919 933 15 15 mm
 3919 934 19 19 mm



3919 900 4 4 mm
 3919 901 10 10 mm
 3919 902 12 12 mm
 3919 903 15 15 mm
 3919 904 19 19 mm
 3919 905 22 22 mm



3919 920 10 12 10/12 mm
 3919 921 12 15 12/15 mm
 3919 922 15 19 15/19 mm



3919 911 10 10 mm
 3919 912 12 12 mm
 3919 913 15 15 mm
 3919 914 19 19 mm



3919 050 20 Ø 26 mm



3919 052 20 3.5 x 20 mm



3919 051 20



3200 12 20
 3200 16 25
 3200 23 35
 3200 25 40



3919 946 20 27/27 mm



3919 949 20 26/26 mm



3919 947 20 26/27 mm



3919 948 20 27/27 mm

Article No.	Article Description	QTY
3919 150	RADIATOR HOSE GW Ø15MM L220MM	2
3919 200	RADIATOR HOSE GW Ø20MM L220MM	2
3919 250	RADIATOR HOSE GW Ø25MM L220MM	2
3919 320	RADIATOR HOSE GW Ø32MM L220MM	2
3919 941 25 20	T-HOSE CONNECTING PIECE 25/20	1
3919 942 32 20	T-HOSE CONNECTING PIECE 32/20	1
3919 943 38 20	T-HOSE CONNECTING PIECE 38/20	1
3919 952 12	CONNECT.PIECE-HOSE CNCTR.12MM	3
3919 953 15	CONNECT.PIECE-HOSE CNCTR.15MM	3
3919 954 19	CONNECT.PIECE-HOSE CNCTR.19MM	3
3919 955 22	CONNECT.PIECE-HOSE CNCTR.22MM	3
3919 956 25	CONNECT.PIECE-HOSE CNCTR.25MM	3
3919 957 32	CONNECT.PIECE-HOSE CNCTR.32MM	3
3919 885 19 8	T-HOSE CNCTR.RED.TYPE TRS 19/8	1
3919 935 12 8	T-HOSE CNCTR.REDUCE.TRS 12/8	1
3919 936 19 10	T-HOSE CNCTR.REDUCE.TRS 19/10	1
3919 928 4	T-HOSE CONNECT.PIECE TS 4	2
3919 929 6	T-HOSE CONNECT.PIECE TS 6	1
3919 930 8	T-HOSE CONNECT.PIECE TS 8	1
3919 931 10	T-HOSE CONNECT.PIECE TS 10	1
3919 932 12	T-HOSE CONNECT.PIECE TS 12	1
3919 933 15	T-HOSE CONNECT.PIECE TS 15	1
3919 934 19	T-HOSE CONNECT.PIECE TS 19	1
3919 900 4	HOSE CONNECTING PIECE GS4MM	2

Article No.	Article Description	QTY
3919 901 10	HOSE CONNECTING PIECE GS10MM	1
3919 902 12	HOSE CONNECTING PIECE GS12MM	1
3919 903 15	HOSE CONNECTING PIECE GS15MM	1
3919 904 19	HOSE CONNECTING PIECE GS19MM	1
3919 905 22	HOSE CONNECTING PIECE GS22MM	1
3919 920 10 12	REDUCING ADAPT.TYPE GRS 10/12	1
3919 921 12 15	REDUCING ADAPT.TYPE GRS 12/15	1
3919 922 15 19	REDUCING ADAPT.TYPE GRS 15/19	1
3919 911 10	L-HOSE CONNECT.PIECE LS 10	1
3919 912 12	L-HOSE CONNECT.PIECE LS 12	1
3919 913 15	L-HOSE CONNECT.PIECE LS 15	1
3919 914 19	L-HOSE CONNECT.PIECE LS 19	1
3919 050 20	BLIND PLUG	4
3919 052 20	O-RING 3.5X20MM	25
3919 051 20	SAFETY CLAMP	25
3200 12 20	HOSE CL TOR 9MM SW7 W2 12-22	f 100
3200 16 25	HOSE CL TOR 9MM SW7 W2 16-27	f 100
3200 23 35	HOSE CL TOR 9MM SW7 W2 23-35	f 100
3200 25 40	HOSE CL TOR 9MM SW7 W2 25-40	f 100
3919 946 20	CONNECTING PIECE FEMALE	1
3919 949 20	CONNECTING PIECE MALE	1
3919 947 20	L-CONNECTNG PIECE FEMALE+MALE	1
3919 948 20	L-CONNECT.PIECE FEMALE+FEMALE	1

Fuel Hose Dispenser System

- Robust roll holder made of sheet steel for individual storage of FÖRCH fuel hose rolls
- Including special cutter
- Front guidance avoids hose slipping back
- Suitable for all FÖRCH perforated panels and for the VARO racking system
- Colour: RAL 5003



Article No.	Article Description	QTY
3905 1	FUEL HOSE DISPENS.SYSTEM	1

Contents:

- 1x Art.-No. 3799 4: Perforated panel
- 3x Art.-No. 3799 5: Roll holder with wood axis
- 1x Art.-No. 4760 9: Hose cutter 190 mm
- 1x Art.-No. 3404 10 40: Chain for hose cutter 400 mm
- 1x Art.-No. 5980 990: Fixing kit

Dispenser system for fuel hose / abrasive paper

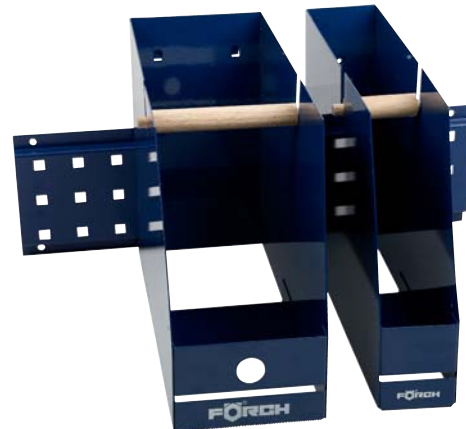
- Solid roll holder made of sheet steel with enclosed wooden axle for individual mounting
- Suitable for all FÖRCH perforated panels and VARO racking systems
- Tear-off edge for abrasive paper
- Can be fitted optionally
- Colour: RAL 5003

Art.-No. 3799 5:

- Suitable for fuel hoses, slipping paper, abrasive sheets, abrasive fleece

Art.-No. 3799 6:

- Suitable for abrasive cloth
- AGR 5980: 40 mm width
- AGR 5981: 50 mm width
- AGR 5982: 60 mm width



Article No.	Article Description	QTY
3799 4	PERFORATED PANEL FOR DISPENSER	1
3799 5	DISPENSER W.WOOD AXLE 130MM	1
3799 6	DISPENSER F.DISC/SHEETS 65MM	1
3799 5 1	WOOD.AXLE FOR DISPENSER 140MM	1
3799 6 1	VARO-ROLL HOLDER SHAFT 74MM	1

Hand Shears Combi

- Combi-shears for craft, workshop and household
- Ideal for fuel and water hoses
- Cuts rubber, plastic, paper/cardboard, leather, cord, cable, thin sheet and plants etc.
- With integrated spring for easy use and locking mechanism
- Total length 190 mm, cutting length 42 mm



Article No.	Article Description	QTY
4760 9	COMBI-HOSE SHEARS 190MM	1

Hand Shears Profi - Bully

- For profiles made of wood, plastic, rubber, for cutting cables, fuel and hose lines
- Max. cutting diameter: 17 mm



Article No.	Article Description	QTY
4760 3	PROFILE SHEARS BULLY 180MM	1

Fuel Leads Repair Set II

- 117 pieces
- For petrol vehicles with steel or plastic pipes, external diameter 8 mm
- For diesel vehicles with steel or plastic pipes, external diameter 10 mm
- With all connections for the fuel filter and nozzles to the tank, as well as fuel pump
- Reductions are possible
- Operational pressure up to 5 bars absolute
- Not suitable for RME biodiesel vehicles (rapeseed-methyl-ester)
- Ad-blue resistant

Article No.	Article Description	QTY
3908 2	FUEL LEADS REPAIR SET II	1

Contents each 1x :

- Art.-No. 3908 2 1: BAG (5) sleeve 6 x 0.4 x 22 mm
- Art.-No. 3908 2 2: BAG (2) Normaquick double socket 8 mm
- Art.-No. 3908 2 3: BAG (5) sleeve 8 x 0.4 x 22 mm
- Art.-No. 3908 2 4: BAG (3) Straight SAE connector 7.89 - 8 mm
- Art.-No. 3908 2 5: BAG (8) Straight pipe coupling 8 mm
- Art.-No. 3908 2 6: BAG (1) T-pipe coupling Ø 8 mm L 450 mm
- Art.-No. 3908 2 7: BAG (3) 90° angle SAE connector 7.89-8 mm
- Art.-No. 3908 2 8: BAG (3) 90° angle pipe coupling Ø 8 mm
- Art.-No. 3908 2 9: BAG (2) petrol hose Ø 8 mm L 450 mm
- Art.-No. 3908 2 10: BAG (2) Plastic pipe Ø 8 mm L 450 mm
- Art.-No. 3908 2 11: BAG (2) Steel pipe Ø 8 mm L 450 mm
- Art.-No. 3908 2 12: BAG (5) Plastic pipe piece Ø 8 mm L 50 mm
- Art.-No. 3908 2 13: BAG (2) Normaquick double socket 10 mm, S 3/8" - 5/16"
- Art.-No. 3908 2 14: BAG (3) Straight SAE connector 9.89 - 10 mm
- Art.-No. 3908 2 15: BAG (8) Straight pipe coupling Ø 10 mm
- Art.-No. 3908 2 16: BAG (1) T-pipe coupling Ø 10 mm
- Art.-No. 3908 2 17: BAG (3) 90° angle SAE connector 9.89 - 10 mm
- Art.-No. 3908 2 18: BAG (3) 90° angle SAE connector Ø 10 mm
- Art.-No. 3908 2 19: BAG (2) petrol hose pipe Ø 10 mm L 450 mm
- Art.-No. 3908 2 20: BAG (2) Plastic pipe Ø 10 mm L 450 mm
- Art.-No. 3908 2 21: BAG (2) Steel pipe Ø 10 mm L 450 mm
- Art.-No. 3908 2 22: BAG (5) Plastic pipe piece Ø 10 mm L 50 mm
- Art.-No. 3908 2 23: BAG (2) Reduction socket 10 - 8 mm
- Art.-No. 3908 2 24: BAG (20) Oetiker step-less 1-ear clamp 015.3 - 706R
- Art.-No. 3908 2 25: BAG (20) Oetiker step-less 1-ear clamp 0166 - 706R
- Art.-No. 3423 3: BAG (1) Hose cutter for plastic pipes
- Art.-No. 4941 16: BAG (1) mini pipe cutter 3 -16 mm



Fuel Pipes Repair Kit Accessories



3908 2 5
3908 2 15



3908 2 8
3908 2 18



3908 2 6
3908 2 16



3908 2 11
3908 2 21



3908 2 10
3908 2 20



3908 2 9
3908 2 19



3908 2 4
3908 2 14



3908 2 7
3908 2 17



3908 2 2
3908 2 13



3908 2 12
3908 2 22



3908 2 1
3908 2 3



3908 2 23



3908 2 24



3908 2 25



3423 3



4941 16

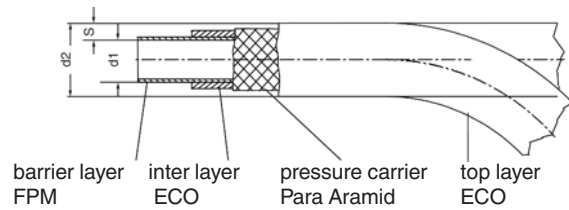
Article No.	Article Description	QTY
3908 2 1	BAG(5)SLEEVE 6X0.4X22	1
3908 2 2	BAG(2)NOR.DOUB.SOCK.8MM,S5-16-6	1
3908 2 3	BAG(5)SLEEVE 8X0.4X22	1
3908 2 4	BAG(3)STRAIGHT SAE CON. 7.89-8	1
3908 2 5	BAG(8)PIPE COUP. Ø8MM STRAIGHT	1
3908 2 6	T-PIPE COUPLING Ø8MM	1
3908 2 7	BAG(3)SAE CON. 90°ANGLE 7.89-8	1
3908 2 8	BAG(3)PIPE COUP. 90°ANGLE Ø8MM	1
3908 2 9	BAG(2)PETR.HOS.PIP.Ø8MM L450MM	1
3908 2 10	BAG(2)PLASTIC PIPE Ø8MM L450MM	1
3908 2 11	BAG(2)STEEL PIPE Ø8MM L450MM	1
3908 2 12	BAG(5)PLASTIC PIPE Ø8MM L50MM	1
3908 2 13	BAG(2)NORMAQU.DOUB.SOCKET 10MM	1
3908 2 14	BAG(3)SAE CON.STRAIGHT 9.89-10	1

Article No.	Article Description	QTY
3908 2 15	BAG(8)PIPE COUP.Ø10MM STRAIGHT	1
3908 2 16	T-PIPE COUPLING Ø10MM	1
3908 2 17	BAG(3)SAE CON. 90°ANG. 9.89-10	1
3908 2 18	BAG(3)PIPE COUP.90°ANGLE Ø10MM	1
3908 2 19	BAG(2)PETR.HO.PIP.Ø10MM L450MM	1
3908 2 20	BAG(5)PLASTIC PIP.Ø10MM L450MM	1
3908 2 21	BAG(2)STEEL PIPE Ø10MM L450MM	1
3908 2 22	BAG(5)PLASTIC PIPE Ø10MM L50MM	1
3908 2 23	BAG(2)REDUCTION SOCKET 10-8MM	1
3908 2 24	BAG(20)1EAR CLAMP I.015,3-706R	1
3908 2 25	BAG(20)1EAR CLAMP I.016,6-706R	1
3423 3	LINE CUTTER FOR PLASTIC PIPE	1
4941 16	MINI-PIPE CUTTER 3-16MM	1

Fuel hoses FORCH*****

- According to DIN 73379 / 2014
- Colour: black
- Packed in dispenser box
- 4-layer hose
- For the following fuels: petrol, diesel/biodiesel, diesel fuels containing PME (RME)
- Very low fuel permeability (diffusion)
- Highly flexible, excellent heat resistance
- Temperature resistance: -40 °C to +125 °C (briefly +150 °C)
- Operating pressure: 0 – 10 bar
- Burst pressure: according to DIN 53758

ABS - DIN73379/2014 - 9.3 x 15.3 mm - B1 - Lot 16053102-16053103 >FPM/ECO/IR/ECO<

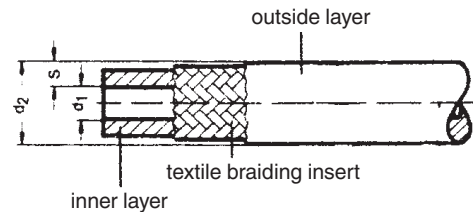


Article No.	Article Description	QTY
3900 5 35	RO(15M)FUEL HOSE 4LAYER 3.5 5*	1
3900 5 45	RO(15M)FUEL HOSE 4LAYER 4.5 5*	1
3900 5 53	RO(15M)FUEL HOSE 4LAYER 5.3 5*	1
3900 5 73	RO(10M)FUEL HOSE 4LAYER 7.3 5*	1
3900 5 93	RO(10M)FUEL HOSE 4LAYER 9.3 5*	1
3900 5 113	RO(8M)FUEL HOSE 4LAYER 11.3 5*	1

Technical Data		
S mm	d2 mm	d1 mm
2.5	8.5	3.5
3.0	10.5	4.5
3.0	11.3	5.3
3.0	13.3	7.3
3.0	15.3	9.3
3.5	18.2	11.3

Fuel Hose with Rubber

- According to DIN 73379-2 Type A
- Colour: black
- Packaged in dispenser boxes
- Temperature resistant from -35 °C up to +90 °C
- Operating pressure: 10 bar
- Burst pressure: 30 bar
- Suitable for automotive gas and diesel

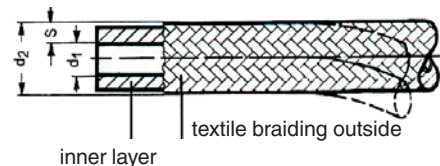


Article No.	Article Description	QTY
3900 1 32	RO(15M)FUEL HOSE NBR OG 3.2	1
3900 1 45	RO(15M)FUEL HOSE NBR OG 4.5	1
3900 1 53	RO(15M)FUEL HOSE NBR OG 5.3	1
3900 1 55	RO(15M)FUEL HOSE NBR OG 5.5	1
3900 1 6	RO(15M)FUEL HOSE NBR OG 6.0	1
3900 1 7	RO(15M)FUEL HOSE NBR OG 7.0	1
3900 1 75	RO(10M)FUEL HOSE NBR OG 7.5	1
3900 1 9	RO(10M)FUEL HOSE NBR OG 9.0	1
3900 1 93	RO(15M)FUEL HOSE NBR OG 9.3	1
3900 1 113	RO(15M)FUEL HOSE NBR OG 11.3	1

Technical Data		
S mm	d2 mm	d1 mm
2.6	8.4	3.2
3.0	10.5	4.5
3.0	11.3	5.3
3.0	11.5	5.5
3.0	12.0	6.0
3.0	13.0	7.0
3.0	13.5	7.5
3.0	15.0	9.0
3.0	15.3	9.3
3.0	17.3	11.3

Fuel Hose with Textile Braid

- According to DIN 73379
- Colour: black
- Packaged in dispenser box
- Temperature resistant: from -30 °C up to +70 °C
- Operating pressure: 10 bar
- Burst pressure: 30 bar
- Suitable for automotive gas and diesel



Article No.	Article Description	QTY
3901 1 32	RO(15M)D-RET.HOSE COUP.NBR 3.2	1
3901 1 35	RO(15M)FUEL HOSE NBR GW 3.5	1
3901 1 5	RO(15M)FUEL HOSE NBR GW 5.0	1
3901 1 55	RO(15M)FUEL HOSE NBR GW 5.5	1
3901 1 75	RO(15M)FUEL HOSE NBR GW 7.5	1
3901 1 9	RO(15M)FUEL HOSE NBR GW 9.0	1
3901 1 11	RO(15M)FUEL HOSE NBR GW 11.0	1

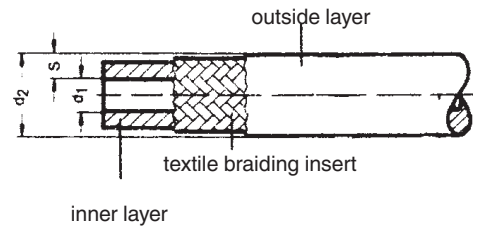
Technical Data		
S mm	d2 mm	d1 mm
2.5	8.2	3.2
2.5	8.5	3.5
2.5	10.0	5.0
2.5	10.5	5.5
2.5	12.5	7.5
3.0	15.0	9.0
2.5	17.5	11.0

The hoses will not be delivered in one piece, due to technical production reasons. Max. 2 pieces

Note: Fuel hoses are not suitable for gear-/motor oils and even not for the usage in fuel tanks

FUEL Hose with Rubber **ECO**

- Fuel hose for leaded and unleaded petrol/diesel
- According to DIN 73379-1:1997
- Usable as in overflow oil linemotor vehicle sector
- Not suitable for VARO Art.-No. 3905 1

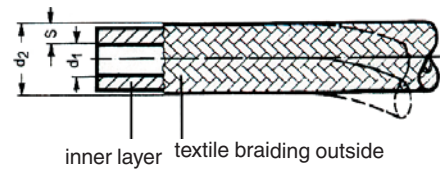


Article No.	Article Description	QTY
3917 32	RO(15M)FUEL HOSE EGO OG Ø3.2MM	1
3917 45	RO(15M)FUEL HOSE EGO OG Ø4.5MM	1
3917 53	RO(15M)FUEL HOSE EGO OG Ø5.3MM	1
3917 55	RO(15M)FUEL HOSE EGO OG Ø5.5MM	1
3917 6	RO(15M)FUEL HOSE EGO OG Ø6.0MM	1
3917 7	RO(15M)FUEL HOSE EGO OG Ø7.0MM	1
3917 75	RO(10M)FUEL HOSE EGO OG Ø7.5MM	1
3917 9	RO(10M)FUEL HOSE EGO OG Ø9.0MM	1
3917 93	RO(10M)FUEL HOSE EGO OG Ø9.3MM	1
3917 113	RO(8M)FUEL HOSE EGO OG 11.3MM	1

Technical Data			
Art.-No.	S mm	d2 mm	d1 mm
3917 32	3.0	9.0	3.0
3917 45	3.0	10.5	4.5
3917 53	3.0	11.3	5.3
3917 55	3.0	11.5	5.5
3917 6	3.0	12.0	6.0
3917 7	3.0	13.0	7.0
3917 75	2.75	13.0	7.5
3917 9	3.0	15.0	9.0
3917 93	3.0	15.3	9.3
3917 113	3.5	18.0	11.3

FUEL Hose with Textile Braid **ECO**

- Not for fuel-carrying sector
- According to DIN 73379-B:1984
- Colour: black
- Temperature resistant from -30°C to +100°C
- Not suitable for VARO Fuel Hose Dispenser System



Article No.	Article Description	QTY
3918 32	RO(15M)FUEL HOSE ECO GW Ø3.2MM	1
3918 35	RO(15M)FUEL HOSE ECO GW Ø3.5MM	1
3918 5	RO(15M)FUEL HOSE ECO GW Ø5.0MM	1
3918 55	RO(15M)FUEL HOSE ECO GW Ø5.5MM	1
3918 75	RO(15M)FUEL HOSE ECO GW Ø7.5MM	1
3918 9	RO(10M)FUEL HOSE ECO GW Ø9.0MM	1
3918 11	RO(8M)FUEL HOSE ECO GW 11.0MM	1

Technical Data					
Art.-No.	S mm	D2 mm	D1 mm	Operating pressure in Bar	Operating pressure in Bar
3918 32	2.0	7.2	3.2	12.5	12.5
3918 35	2.0	7.5	3.5	12.5	12.5
3918 5	2.5	10.0	5.0	10.0	10.0
3918 55	2.5	10.5	5.5	10.0	10.0
3918 75	2.5	12.5	7.5	9.0	9.0
3918 9	2.5	14.0	9.0	6.0	6.0
3918 11	2.5	16.0	11.0	5.0	5.0

Blind Plug

- Plugs for injection nozzles

Article No.	Article Description	QTY
3014 32	BLIND PLUG FOR INJEC.NOZ.3.2MM	50



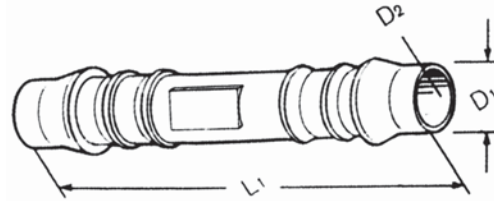
Petrol Filter Universal

Article No.	Article Description	QTY
3906 1	PETROL FILTER 6/8MM	1



Straight Hose Fitting Connecting Piece TYPE GS

- Without thread
- made of acetalcopolymersat - natural colours
- High chemical resistance, consistence, viscosity, abrasion-proof
- gasoline- and oil resistant

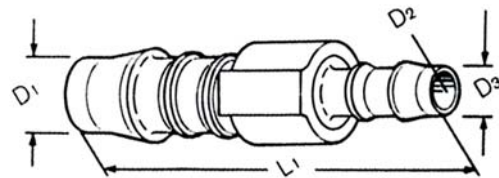


Article No.	Article Description	QTY
3910 3	HOSE CONNECTOR GS 3	25
3910 4	HOSE CONNECTOR GS 4	25
3910 5	HOSE CONNECTOR GS5	25
3910 6	HOSE CONNECTOR GS 6	25
3910 8	HOSE CONNECTOR GS 8	25
3910 10	HOSE CONNECTOR GS10	25

Technical Data			
Art.-No.	D1 mm	D2 mm	L1 mm
3910 3	3	2.5	25
3910 4	4	2.7	35
3910 5	5	3	45
3910 6	6	4	49
3910 8	8	5.6	56
3910 10	10	7	63

Straight Reduce Pieces Type GRS

- Without thread
- Made of acetalcopolymersat - natural colours
- High chemical resistance, consistency, viscosity, shock and abrasion resistance
- Gasoline and oil resistant



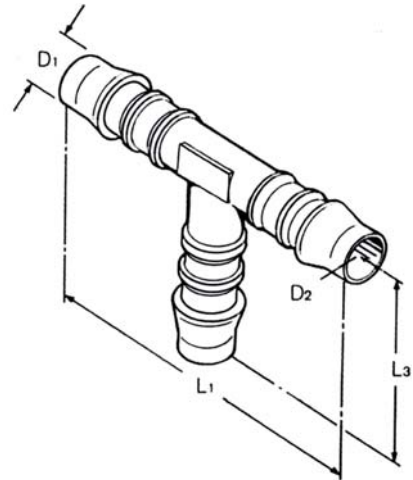
Article No.	Article Description	QTY
3911 43	HOSE CONNECTOR GRS 4-3	25
3911 54	HOSE CONNECTOR GRS 5- 4	25
3911 64	HOSE CONNECTOR GRS 6-4	25
3911 84	HOSE CONNECTOR GRS 8- 4	25
3911 86	HOSE CONNECTOR GRS 8- 6	25
3911 106	HOSE CONNECTOR GRS 10- 6	25
3911 108	HOSE CONNECTOR GRS 10- 8	25
3911 128	HOSE CONNECTOR GRS 12- 8	25
3911 1210	HOSE CONNECTOR GRS 12-10	25

Technical Data				
Art.-No.	D1 mm	D3 mm	D2 mm	L1 mm
3911 43	4	3	2.5	30.0
3911 54	5	3	2.7	41.0
3911 64	6	4	2.7	42.5
3911 84	8	4	2.7	48.0
3911 86	8	6	4.0	54.0
3911 106	10	6	4.0	58.0
3911 108	10	8	5.6	60.5
3911 128	12	8	5.6	62.5
3911 1210	12	10	7.0	64.0

T-Hose Connection Pieces Type TS

- Without thread
- Made of acetalcopolymerisat – natural colours
- High chemical resistance, consistency, viscosity, shock and abrasion resistance

Technical Data				
Art.-No.	D1 mm	D2 mm	L1 mm	L3 mm
3912 3	3	2.5	25.0	12.5
3912 4	4	2.7	35.0	19.5
3912 5	5	3.0	42.0	22.0
3912 6	6	4.0	50.0	26.0
3912 7	7	5.0	50.0	26.0
3912 8	8	5.6	58.0	30.0
3912 10	10	7.0	62.5	33.5
391216	16	12.0	81.0	45.0



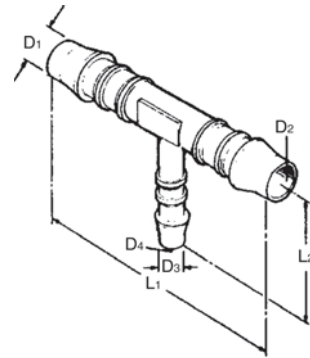
Article No.	Article Description	QTY
3912 3	HOSE CONNECTOR TS 3	25
3912 4	HOSE CONNECTOR TS 4	25
3912 5	HOSE CONNECTOR TS 5	25
3912 6	HOSE CONNECTOR TS 6	25
3912 7	HOSE CONNECTOR TS 7	25
3912 8	HOSE CONNECTOR TS 8	25
3912 10	HOSE CONNECTOR TS10	25
3912 16	HOSE CONNECTOR TS16	25

Mechanical properties:

NORMPLAST hose connection parts for hose internal diameters from 3 mm to 19 mm are characterised by their high strength, toughness, low weight, damping capacity, abrasion resistance and high levels of impact resistance. The ribbing on the hose connection ensure a secure connection between the hose and the spigot.

T-Hose Connection Pieces Type TRS

- Without thread made of acetalcopolymerisat - natural colours
- High chemical resistance, consistency, viscosity, shock and abrasion resistance



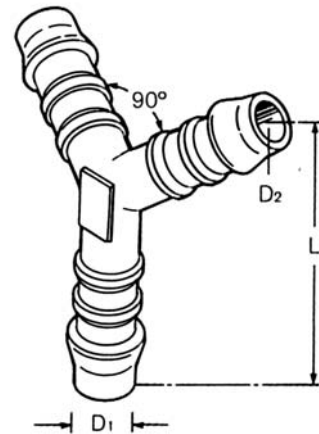
Technical Data

Art. No.	D1 mm	D2 mm	D3 mm	D4 mm	L1 mm	L2 mm
3914 18	18	14	15	11	80	44

Article No.	Article Description	QTY
3914 18	HOSE CONNECTOR TRS 18	25

Y-Hose Connection Pieces Type YS

- Without thread made of acetalcopolymerisat - natural colours
- High chemical resistance, consistency, viscosity, shock and abrasion resistance



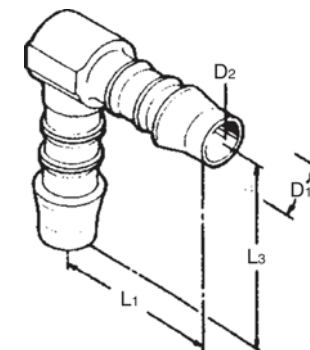
Technical Data

Art.-No.	D1 mm	D2 mm	L1 mm
3913 3	3	2.5	21.0
3913 4	4	2.5	25.5
3913 5	5	3.0	43.0
3913 6	6	4.0	44.0
3913 8	8	5.6	51.0
3913 10	10	7.0	54.0

Article No.	Article Description	QTY
3913 3	HOSE CONNECTOR YS 3	25
3913 4	HOSE CONNECTOR YS 4	25
3913 5	HOSE CONNECTOR YS 5	25
3913 6	HOSE CONNECTOR YS 6	25
3913 8	HOSE CONNECTOR YS 8	25
3913 10	HOSE CONNECTOR YS 10	25

L-Hose Connection Piece Type WS

- Without thread made of acetalcopolymerisat - natural colours
- High chemical resistance, consistency, viscosity, shock and abrasion resistance



Technical Data

Art. No.	D1 mm	D2 mm	L1 mm	L2 mm
3916 10	10	7	31	33.5

Article No.	Article Description	QTY
3916 10	HOSE CONNECTOR WS 10	25

Hose Fittings Assortment

- 155 pieces

Contents

Art.-No.	Art.-Description	Quantity
3202 8 12	CLAMP SGL 8MM SW6 W2 8-12	10
3202 10 16	CLAMP SGL 8MM SW6 W2 10-16	10
3910 4	HOSE CONNECTOR GS 4	15
3910 6	HOSE CONNECTOR GS 6	15
3910 8	HOSE CONNECTOR GS 8	10
3911 64	HOSE CONNECTOR GRS 6-4	15
3912 4	HOSE CONNECTOR TS 4	15
3912 6	HOSE CONNECTOR TS 6	15
3912 8	HOSE CONNECTOR TS 8	10
3913 4	HOSE CONNECTOR YS 4	15
3913 6	HOSE CONNECTOR YS 6	15
3913 8	HOSE CONNECTOR YS 8	10



Article No.	Article Description	QTY
9000 391	ASS.HOSE FITTINGS	1
9000R 391	INTRAY HOSE FITTINGS	1

Hose Connector

- Material: pentamid A (PA6) +30 % GF
- Max. temperature: +140 °C, for short periods up to +190 °C
- Oil- and gas resistant



Article No.	Article Description	QTY
3915 6	HOSE CONNECTOR PLASTIC 6MM	z 25
3915 8	HOSE CONNECTOR PLASTIC 8MM	z 25
3915 10	HOSE CONNECTOR PLASTIC 10MM	z 25
3915 13	HOSE CONNECTOR PLASTIC 13MM	z 25
3915 16	HOSE CONNECTOR PLASTIC 16MM	z 25
3915 19	HOSE CONNECTOR PLASTIC 19MM	z 25

Technical Data		
Inside width	Length L	Hose Inside diameter
3.5	41	6
5.5	41	8
7.5	41	10
10.5	41	13
13.5	46	16
16.5	59	19

Vacuum Hoses Made of Synthetic Rubber

- Colour: black
- Packaged in dispenser cartons



Article No.	Article Description	QTY
3902 33	RO(15M) VACUUM HOSE BMW 3,3MM	1
3902 35	RO(15M) VACUUM HOSE UNI-3,5MM	1
3902 4	RO(15M) VACUUM HOSE 4,0MM	1
3902 5	RO(15M) VACUUM HOSE GM 5,0MM	1

Technical Data			
S mm	d2 mm	d1 mm	Vehicle type
1,75	6.80	3.30	BMW
2,00	8.00	3.50	Universal
2.50	10.00	4.00	Ford
2,50	10.00	5.00	Opel

PVC Hoses for Washer System

- Colour: transparent
- Packed in dispenser cartons



Article No.	Article Description	QTY
3903 4	RO(20M)WASHER SYSTEM HOSE 4,0M	1
3903 5	RO(20M)WASHER SYSTEM HOSE 5,0M	1

Technical Data			
S mm	d2 mm	d1 mm	Vehicle type
1.0	6.0	4.0	Universal
1.5	8.0	5.0	Universal

PVC protective spiral for hydraulic hoses

- Protects hydraulic and pneumatic hoses
- Material: PVC, black
- Temperature resistance: -30 to +70 °C (melting point: 80 °C)
- Resistant to UV and chemicals
- In accordance with UL-94-V-O (UL-94 = Test for flammability of plastics, V-O = Flames extinguished within 10 s)

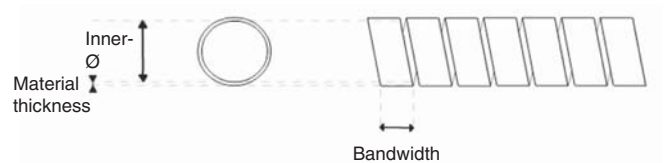


Technical Data				
Art. No.	Inner-Ø mm	Material thickness mm	Bandwidth mm	Length m
3738 15 1	15	1	16	10
3738 22 1	22	1	16	10
3738 35 2	35	2	16	10
3738 60 2	60	2	16	5
3738 80 2	80	2	16	5

Article No.	Article Description	QTY
3738 15 1	CL(10M)SPIR.HO.GUARD16X1 Ø15MM	1
3738 22 1	CL(10M)SPIR.HO.GUARD16X1 Ø22MM	1
3738 35 2	CL(10M)SPIR.HO.GUARD16X2 Ø35MM	1
3738 60 2	CL(10M)SPIR.HO.GUARD16X2 Ø60MM	1
3738 80 2	CL(10M)SPIR.HO.GUARD16X2 Ø80MM	1

Application:

- Construction and agricultural machinery, e.g. cranes, diggers, road rollers, trucks, dump trucks, wheel loaders, tunnel drilling machines, forklifts and telescope lifts, earth boring machinery, etc.



Wheel Lug Bolt, Fine Pitch - 10.9, Zinc

- Strength class 10.9
- Galvanized steel

Article No.	Article Description	QTY
1121 12 15 20	WHEEL STUD M12X1.5X20	50



Wheel Nuts

Art.-No. 3013 12 15:

- Ford Original No. 1007487/ 6040307/ 1447852
- Dimension: M12 x 1.5, SW19
- Surface: zinc-coated matt
- Grade: 8

Art.-No. 3013 12 15 1:

- Ford Original No. 1470843
- Dimension: M12 x 1.5, SW19
- Surface: aluminium zinc
- Grade: 10

Art.-No. 3021 12 15:

- Toyota Original No. 90942-01007-83
- Mazda Original No. 0603-26-161
- Mitsubishi Original-Nr. MA 103087
- Dimension: M12 x 1.5, SW21
- Surface: yellow zinc-coated, chrome-3-value
- Grade: 8



3013 12 15 1



3013 12 15 2



3021 12 15

Article No.	Article Description	QTY
3013 12 15 1	FORD WHEEL NUT M12X1.5 SW19 10	f 100
3013 12 15 2	FORD WHEEL NUT M12X1.5 SW19 ZN	f 100
3021 12 15	TOYOTA WHEEL NUT M12X1.5 SW21	f 100

Brake Lines

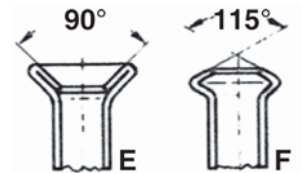
- DIN flange E: double-flanging
- DIN flange F: single-flanging
- **Caution:** Make sure to mount the conductive material according to original equipment version!

Material:

- St = steel, plastic coated, colour: olive
- CU = copper
- CUNI = copper-nickel

Article No.	Article Description	QTY
3125 475	RO(5M)BRAKE LINE ST 4.75MM	1
3125 475 1	RO(7,62M)BRAKE LINE CO 4.75MM	1
3125 475 2	RO(5M)BRAKE LINE CO-NI 4.75MM	1
3125 500	RO(5M)BRAKE LINE CO 5.00MM	1
3125 600	RO(5M)BRAKE LINE CO-NI 6.00MM	1
3125 475 2 25	RO(25M)BRAKE LINE CO-NI 4.75MM	1
3125 475 1 50	RO(50M)BRAKE LINE CO 4.75MM	1

(Outer-Ø mm)



Brake cable clip

- For brake cables Ø 4.75 – 5.00 mm
- Fits M5 spacer bolts
- OEM number: 811 611 797
- Application: VW/AUDI

Article No.	Article Description	QTY
3040 1847	BREAK LINE CLIP 4.75-5.00MM	g 50



Brake Nipple

Brake Nipple PA

Technical Data					
Dimensions	Inside Ø	SW	Length	Flange DIN	Vehicle Types
7/16 x 24 UNF	5 mm	11	21.2 mm	E, F	American vehicles such as Chrysler



Article No.	Article Description	QTY
3126 14	BRA.NI.PA7/16X24UNF SW11X21.2	z 50

Brake Nipple A

Technical Data					
Measurem.	Inside Ø	SW	Length	Flange DIN	Vehicle types
M10 x 1	5 mm	11	16.7 mm	F	Alfa, Audi, BMW, Citroen, Dacia, Fiat, Ford, Honda, Mitsubishi, Mercedes, Nissan, Opel, Peugeot, Renault, Rover, Saab, Seat, Skoda, Talbot, Volvo, VW, Zastava



Article No.	Article Description	QTY
3126 1	BRAKE NIP.A M10X1 SW11X16.7MM	z 50

Brake Nipple D

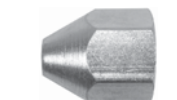
Technical Data					
Measurem.	Inside Ø	SW	Length	Flange DIN	Vehicle types
M10 x 1	5 mm	10	16.7 mm	E	Daihatsu, Hyundai, Nissan, Opel, Skoda, Nissan, Toyota, Vauxhall, VW



Article No.	Article Description	QTY
3126 2	BRAKE NIP.D M10X1 SW10X16,7MM	z 50

Brake Nipple H

Technical Data					
Measurem.	Inn. dia.	SW	Length	Flange DIN	Vehicle types
3/8 x 24 UNF	5 mm	14	17.5 mm	E	Bedford, Rover, Saab, Talbot, Vauxhall



Article No.	Article Description	QTY
3126 3	BRA.NI.H 3/8X24UNF SW14X17.5MM	z 50

Brake Nipple M

Technical Data					
Measurment.	Inside Ø	SW	Length	Flange DIN	Vehicle types
M10 x 1.25	5 mm	10	14.2 mm	E	Mazda

Article No.	Article Description	QTY
3126 4	BRA.NI.M M10X1.25 SW10X14.2MM	z 50



Brake Nipple S

Technical Data					
Measurment.	Inside Ø	SW	Length	Flange DIN	Vehicle types
3/8 x 24 UNF	5 mm	10	18.0 mm	E	Peugeot, Talbot, Volvo

Article No.	Article Description	QTY
3126 5	BRA.NI.S 3/8X24UNF SW10X18.0MM	z 50



Brake Nipple TX

Technical Data					
Measurment.	Inside Ø	SW	Length	Flange DIN	Vehicle types
M10 x 1.0	5 mm	10	18.0 mm	E	Daihatsu, Honda, Hyundai, Isuzu, Mazda, Mitsubishi, Nissan, Opel, Suzuki, Toyota, VW

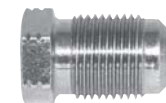
Article No.	Article Description	QTY
3126 6	BRA.NI.TX M10X1 SW10X18.0MM	z 50



Brake Nipple B 5.0

Technical Data					
Measurment.	InsideØ	SW	Length	Flange DIN	Vehicle types
M12 x 1.0	5 mm	12	20.0 mm	E, F	Alfa, Audi, Citroen, Fiat, Ford, Honda, Opel, Peugeot, Renault, Rover, Seat, Skoda, Saab, Volvo, VW

Article No.	Article Description	QTY
3126 7	BRA.NI.B 5.0 M12X1 SW12X20.0MM	z 50



Brake Nipple Adapter OAA

Technical Data				
Measurement	Inside Ø	SW	Length	Flange DIN
M10 x 1.0	3.5 mm	14	24.0 mm	F

Article No.	Article Description	QTY
3126 8	BRA.NI. OAA M10X1 SW14X24.0MM	z 50



Brake Nipple B

Technical Data

Measurem.	Inside Ø	SW	Length	Flange DIN	Vehicle types
M12 x 1.0	6 mm	12	18.0 mm	E	Audi, Ford, Saab, Volvo, VW



Article No.	Article Description	QTY
3126 9	BRA.NI.B M12X1 SW12X18.0MM	z 50

Brake Nipple E

Technical Data

Measurem.	Inside Ø	SW	Length	Flange DIN	Vehicle types
M10 x 1.0	5 mm	14	13.0 mm	E	Alfa, Audi, Citroen, Fiat, Ford, Opel, Peugeot, Renault, Rover, Seat, Saab, VW



Article No.	Article Description	QTY
3126 10	BRA.NI.E M10X1 SW14X13.0MM	z 50

Brake Nipple F

Technical Data

Measurem.	Inside Ø	SW	Length	Flange DIN	Vehicle types
3/8 x UNF	5 mm	11	21.0 mm	E	Bedford, Renault, Rover, Saab, Talbot, Vauxhall, Volvo



Article No.	Article Description	QTY
3126 11	BRA.NI.F 3/8X24UNF SW11X21.0MM	z 50

Brake Nipple OBB

Technical Data

Measurement	Inside Ø	SW	Length	Flange DIN
M12 x 1.0	4 mm	17	29.0 mm	E



Article No.	Article Description	QTY
3126 12	BRA.NI.OBB M12X1 SW17X29.0MM	z 50

Bleeder Valve 1

Bleeder Valve 1

Technical Data

Measurement	SW	Length	Vehicle type
M6 x 1.0	7	38.0 mm	Audi, Seat, Skoda, Subaru, VW



Article No.	Article Description	QTY
3127 1	BLEEDER VALVE M6X1 SW 7X38.0MM	10

Bleeder Valve 2

Technical Data

Measurement	SW	Length	Vehicle types
M8 x 1.25	9	32.4 mm	Alfa, Audi, BMW, Citroen, Fiat, Honda, Mercedes, Opel, Peugeot, Renault, Saab, Seat, Skoda, Vauxhall, Volvo, VW



Article No.	Article Description	QTY
3127 2	BLEED.VALVE M8X1.25 SW9X32.4MM	10

Bleeder Valve 3

Technical Data

Measurement	SW	Length	Vehicle types
M10 x 1.0	10	34 mm	BMW, Daihatsu, Daewoo, Ford, Honda, Hyundai, Mitsubishi, Nissan, Opel, Rover, Peugeot, Renault, Subaru, Suzuki, Toyota, Vanden-Plas, Vauxhall, VW



Article No.	Article Description	QTY
3127 3	BLEED.VALVE M10X1 SW10X34,0MM	10

Bleeder Valve 4

Technical Data

Measurement	SW	Length	Vehicle types
M10 x 1.0	10	36.0 mm	Audi, Citroen, BMW, Ford, Lancia, Mazda, Mercedes, Mitsubishi, Nissan, Opel, Peugeot, Seat, Skoda, Suzuki, Toyota, Volvo, VW



Article No.	Article Description	QTY
3127 4	BLEED.VALVE M10X1 SW10X36.0MM	10

Bleeder Valve 5

Technical Data

Measurement	SW	Length	Vehicle types
M6 x 1.0	7	29 mm	Audi, BMW, Mercedes, Saab, Seat, VW



Article No.	Article Description	QTY
3127 5	BLEEDER VALVE M6X1 SW 7X29.0MM	10

Bleeder Valve 6

Technical Data

Measurement	SW	Length	Vehicle types
M10 x 1.0	11	30 mm	Alfa, Audi, Citroen, Fiat, Ford, Honda Hyundai, Iveco, Jaguar, Kia, Mazda, Mercedes, Mitsubishi, Nissan, OM, Peugeot, Princess, Renault, Rover, Saab, Seat, Skoda, Toyota, Vauxhall, Volvo, VW



Article No.	Article Description	QTY
3127 6	BLEED.VALVE M10X1 SW11X30.0MM	10

Bleeder Valve 7

Technical Data

Measurement	SW	Length	Vehicle types
M7 x 1.0	7	26.2 mm	Alfa, BMW, Citroen, Daica, Daihatsu, Fiat, Ford, Isuzu, Mazda, Mitsubishi, Nissan, Opel, Peugeot, Renault, Rover, Seat, Skoda, Talbot, Vauxhall, Volvo, VW



Article No.	Article Description	QTY
3127 7	BLEED.VALVE M7X1 SW7X26.2MM	10

Bleeder Valve 8

Technical Data

Measurement	SW	Length	Vehicle types
M7 x 1.0	7	28.7 mm	Alfa, Citroen, Fiat, Ford, Isuzu, Lancia, Mazda, Mitsubishi, Nissan, Peugeot, Renault, Rover, Talbot, Toyota, Volvo



Article No.	Article Description	QTY
3127 8	BLEED.VALVE M7X1 SW7X28.7MM	10

Bleeder Valve 9

Technical Data

Measurement	SW	Length	Vehicle types
M7 x 1.0	7	38.3 mm	Alfa, Audi, BMW, Citroen, Daihatsu, Ford, Opel, Peugeot, Saab, Seat, Skoda, Subaru, Talbot, Toyota, Vauxhall, Volvo, VW



Article No.	Article Description	QTY
3127 9	BLEED.VALVE M7X1 SW7X38.3MM	10

Bleeder Valve 10

Technical Data

Measurement	SW	Length	Vehicle types
M8 x 1.0	9	33.5 mm	Kia, Mazda, Mercedes, Opel, Saab, Vauxhall



Article No.	Article Description	QTY
3127 10	BLEED.VALVE M8X1 SW9X33.5MM	10

Bleeder Valve 12

Technical Data

Measurement	SW	Length	Vehicle types
M8 x 1.25	9	41.5 mm	Citroen, Fiat, Lancia, Mercedes, Opel, Peugeot, Renault, Vauxhall, Volvo



Article No.	Article Description	QTY
3127 12	BLEED.VALVE M8X1.25 SW9X41.5MM	10

Bleeder Valve 13

Technical Data

Measurement	SW	Length	Vehicle types
M8 x 1.25	9	35.5 mm	Citroen, Daewoo, Ford, Honda, Mercedes, Opel, Renault, Saab, Skoda, Suzuki, Toyota, Vauxhall, Volvo



Article No.	Article Description	QTY
3127 13	BLEED.VALVE M8X1.25 SW9X35.5MM	10

Bleeder Valve 14

Technical Data

Measurement	SW	Length	Vehicle types
M7 x 1.0	7	30.5 mm	Alfa, Audi, BMW, Citroen, DAF, Daihatsu, Fiat, Ford, Honda, Lancia, Mazda, Mercedes, Mitsubishi, Peugeot, Renault, Rover, Saab, Seat, Subaru, Suzuki, Talbot, Toyota, Volvo, VW



Article No.	Article Description	QTY
3127 14	BLEED.VALVE M7X1 SW 7X30.5MM	10

Bleeder Valve 15

Technical Data

Measurement	SW	Length	Vehicle types
M7 x 1.0	9	33.0 mm	Mazda, Mercedes, Mitsubishi, Opel, Renault, Saab, Talbot, Toyota, Vauxhall



Article No.	Article Description	QTY
3127 15	BLEED.VALVE M7X1 SW 9X33.0MM	10

Bleeder Valve 16

Technical Data

Measurement	SW	Length	Vehicle types
M8 x 1.0	8	32.0 mm	Ford, Kia, Mazda



Article No.	Article Description	QTY
3127 16	BLEED.VALVE M8X1 SW 8X32.0MM	10

Bleeder Valve 17

Technical Data

Measurement	SW	Length	Vehicle types
M8 x 1.25	8	24.5 mm	Alfa, Autobianchi, Citroen, Daewoo, Fiat, Ford, Honda, Kia, Lada, Lancia, Mercedes, Mitsubishi, Nissan, Opel, Peugeot, Polmo, Renault, Rover, Seat, Talbot, Vanden-Plas, Vauxhall, Volvo, Wartburg, Zastava



Article No.	Article Description	QTY
3127 17	BLEED.VALVE M8X1.25 SW8X24.5MM	10

Dust Cap

Article No.	Article Description	QTY
3127 11	DUST CAP	25



Brake Nipples in Assortment

• 12-part set = 60 pieces

Contents

Art.-No.	Article Description	Quantity
3126 1	BRAKE NIPA M10X1 SW11X16,7MM	5
3126 2	BRAKE NIPD M10X1 SW10X16,7MM	5
3126 3	BRA.NI.H 3/8X24UNF SW14X17,5MM	5
3126 4	BRA.NI.M M10X1,25 SW10X14,2MM	5
3126 5	BRA.NI.S 3/8X24UNF SW10X18,0MM	5
3126 6	BRA.NI.TX M10X1 SW10X18,0MM	5
3126 7	BRA.NI.B 5,0 M12X1 SW12X20,0MM	5
3126 8	BRA.NI. OAA M10X1 SW14X24,0MM	5
3126 9	BRA.NI.B M12X1 SW12X18,0MM	5
3126 10	BRA.NI.E M10X1 SW14X13,0MM	5
3126 11	BRA.NI.F 3/8X24UNF SW11X21,0MM	5
3126 12	BRA.NI.OBB M12X1 SW17X29,0MM	5



Article No.	Article Description	QTY
9000 3126	ASSORTMENT BRAKE NIPPLES	1
9000R 3126	INTRAY BRAKE NIPPLES	1

Bleeder Valves in Assortment

• 17-part set = 130 pieces

Contents

Art.-No.	Article Description	Quantity
3127 1	BLEEDER VALVE M6X1 SW 7X38,0MM	5
3127 2	BLEED.VALVE M8X1,25 SW9X32,4MM	5
3127 3	BLEED.VALVE M10X1 SW10X34,0MM	5
3127 4	BLEED.VALVE M10X1 SW10X36,0MM	5
3127 5	BLEEDER VALVE M6X1 SW 7X29,0MM	5
3127 6	BLEED.VALVE M10X1 SW11X30,0MM	5
3127 7	BLEED.VALVE M7X1 SW7X26,2MM	5
3127 8	BLEED.VALVE M7X1 SW7X28,7MM	5
3127 9	BLEED.VALVE M7X1 SW7X38,3MM	5
3127 10	BLEED.VALVE M8X1 SW9X33,5MM	5
3127 11	DUST CAP	50
3127 12	BLEED.VALVE M8X1,25 SW9X41,5MM	5
3127 13	BLEED.VALVE M8X1,25 SW9X35,5MM	5
3127 14	BLEED.VALVE M7X1 SW 7X30,5MM	5
3127 15	BLEED.VALVE M7X1 SW 9X33,0MM	5
3127 16	BLEED.VALVE M8X1 SW 8X32,0MM	5
3127 17	BLEED.VALVE M8X1,25 SW8X24,5MM	5

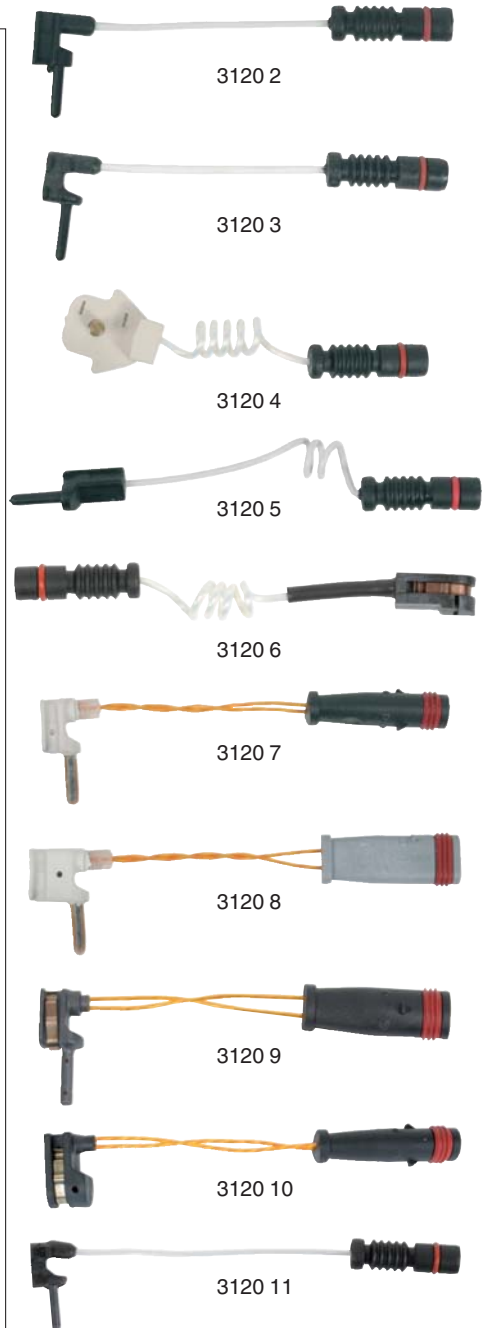


Article No.	Article Description	QTY
9000 3127	ASSORTMENT BLEEDER VALVES	1
9000R 3127	INTRAY BLEEDER VALVES	1

Warning Contacts for Daimler-Benz Brake Pads

Article No.	Article Description	QTY
3120 2	WARNING CONTACT DB 2 90MM	z 50
3120 3	WARNING CONTACT DB 3 94MM	z 50
3120 4	WARNING CONTACT DB 4 150MM	z 50
3120 5	WARNING CONTACT DB 5 210MM	z 50
3120 6	WARNING CONTACT DB 6 185MM	z 50
3120 7	WARNING CONTACT DB 7 97MM	z 50
3120 8	WARNING CONTACT DB 8 120MM	z 50
3120 9	WARNING CONTACT DB 9 95MM	z 50
3120 10	WARNING CONTACT DB 10 95MM	z 50
3120 11	WARNING CONTACT DB 11 114MM	z 50

Technical Data		year of constr.
Art.-No. 3120 2	Suitable for DB W 168 A 140-170 CDI	07.97 -
OE-Reference 126 540 2017	DB W 123 200-300 D, E incl. C, T-Model DB W 201 190 1,8-2,6 E, D, Turbo-D DB W 124 200-500 E, D, Turbo-D incl. C, T-Model DB W 202 C 180-C 280 incl. C, T-Model DB C 208 CLK 200-320 incl. convertible DB W 210 200-430 E, D, CDI incl. T-Model DB W 126 ASR 260-560 S, SE, SEL, SEC DB W 140 280-600 S, SE, SEL, Turbo-D DB W 140 Coupé 300-600 SEC DB R 107 SL 280-500 DB R 170 SLK 200-230 compressor DB W 460, 461, 463 230-350 G, GE, GD, TD VW T1(601) bus, box wagon, pallet 2,3-2,9 D	05.97 - 10.82 - 08.93 01.85 - 06.95 03.93 - 05.00 06.97 - 06.95 - 09.79 - 02.91 02.91 - 10.98 03.91 - 06.94 05.71 - 08.89 09.96 - 03.00 03.79 - 04.77 - 02.96
Art.-No. 3120 3	DB W 168 A 140-170 CDI	07.97 -
OE-Reference 140 540 1217	DB W 123 200-300 D, E incl. C, T-Model DB W 124 200-300 E, D, Turbo-D incl. C, T-Model DB W 201 190 2,5-16; 2,5 Evolution II; 2,6 DB C 208 CLK 200-430 incl. convertible DB W 210 200-430 E, D, CDI inkl. T, AMG DB W 126 ASR 260-560 S, SE, SEL, SEC DB W 140 280-600 S, SE, SEL, Turbo-D DB W 140 Coupé 420-600 SEC / CL DB W 220 S 320, S 500 DB C 215 CL 600 DB C 107SLC 280-450 DB R 107 SL 280-500 DB R 129 SL 280-600 inkl. AMG DB W 460GE 230, 280, GD 240, 250, 300 VW T1(601) bus, box wagon, pallet 2,3-2,9 D	05.97 - 01.85 - 06.93 09.86 - 08.93 06.97 - 06.95 - 09.79 - 02.91 02.91 - 10.98 09.95 - 02.99 10.98 - 03.99 - 06.78 - 08.81 05.71 - 08.89 03.89 - 03.79 - 12.92 04.77 - 02.96
Art.-No. 3120 4	DB W 201 190 1,8-2,6 E, D, Turbo-D	10.82 - 08.93
OE-Reference 201 540 1317	DB W 124 200-300 E, D, Turbo-D incl. C, T-Model DB C 126 Coupé, 380-560 SEC	01.85 - 06.93 09.85 - 06.91
Art.-Nr. 3120 5	DB Sprinter bus, box wagon, pallet	02.95 -
OE-Referenz 901 540 0017	Sprinter 2t 214, 208-212 D, 4x4 Sprinter 3t 314, 308-312 D, 4x4 DB VITO bus, box wagon 108-114; 2,0; 2,3 D; 2,3 TD; 2,2 CDI DB V-Klasse V 200-280 incl. TD, CDI VW LT II 28-46; 2,3-2,8 incl. SDI, TDI	10.96 - 05.96 - 01.05 -
Art.-No. 3120 6	DB Sprinter	01.05 -
OE-Reference 901 540 0317	Sprinter 2t 214, 208-212 CDI, 4x4 Sprinter 3t 314, 308-312 CDI, 4x4 Sprinter 4t 414, 408-413 D/CDI, 4x4	
Art.-No. 3120 7	DB W 203 C 200-270 CDI/T, C 180-320/T	05.00 -
OE-Reference 220 540 0617 220 540 0717	DB W 203 C 200 Compr. T DB W 203 C 32 Compr. AMG DB W 211 E 200-400 CDI, E 200-500 DB W 211 E 50 CDI AMG, E 55 AMG DB W 220 S 320-400 CDI, S 280-600 DB W 220 S 500, 600 Pullm., 63 AMG	05.02 - 02.01 - 07.02 - 02.03 - 10.98 04.99 -
Art.-No. 3120 8	DB C 219 350, 500	10.94 -
OE-Reference 211 540 0717	DB W 211 E 200 CDI, E 200 CGI DB W 211 200 Compr. DB W 211 E 240-500/4-matic, E 220-400 CDI, E 500 DB W 211 E 200 NGT DB W 211 E 200-500 T Combi	07.02 - 11.02 - 03.02 - 03.04 - 03.03 -
Art.-No. 3120 9	DB W 169 A 150-200, A 160-200 CDI	09.04 -
OE-Reference 211 540 1717	DB W 245 B 150-200, B 180-200 CDI, 200 Turbo DB C209/A209 CLK 200 CGI/Com., CLK 240-500, 270 CDI, 55 AMG DB C219 CLS 350-500 DB C 215 CL 500-CL 600 DB R 230 SL 350-600 DB 414 Vaneo 1.6, 1.7CDI, 1.9 DB W 203 S 203, CL 203, W 211, S 211, W 220, R 171	03.05 - 06.02 - 10.04 - 03.99 - 03.06 - 02.02 -
Art.-No. 3120 10	DB W 164 ML 280-320 CDI, ML 350, ML 500	07.05 -
OE-Reference 220 540 1517	DB W 251 R 320 CDI, R 350, R 500 DB W 220 S 350-500 4-matic	01.06 - 09.02 - 08.05
Art.-No. 3120 11	DB W 163 ML 270 CDI	09.00 -
OE-Referenz 163 540 1517 163 540 1717	DB W 163 ML 400 CDI DB W 163 ML 430 DB W 163 ML 500 DB W 163 ML 55 AMG	09.01 - 09.00 - 09.01 - 09.00 -



Balance Weight for Steel Rims Type 160 **FORCH*******

- Balance weight Hofmann Type 160, Made in Germany
- Material: Zinc with impact-resistant plastic coating
- Mainly for use on thin steel rims with flange thickness 1.5 to 1.8 mm for reduction of vehicle weight

Application:

- E.g. Opel and Ford



Article No.	Article Description	QTY
3600 160 5	BAL.WEIG.H 160 ST.RIM EH 5G 5*	100
3600 160 10	BAL.WEIG.H 160 ST.RIM EH10G 5*	100
3600 160 15	BAL.WEIG.H 160 ST.RIM EH15G 5*	100
3600 160 20	BAL.WEIG.H 160 ST.RIM EH20G 5*	100
3600 160 25	BAL.WEIG.H 160 ST.RIM EH25G 5*	100
3600 160 30	BAL.WEIG.H 160 ST.RIM EH30G 5*	100
3600 160 35	BAL.WEIG.H 160 ST.RIM EH35G 5*	50
3600 160 40	BAL.WEIG.H 160 ST.RIM EH40G 5*	50
3600 160 45	BAL.WEIG.H 160 ST.RIM EH45G 5*	50
3600 160 50	BAL.WEIG.H 160 ST.RIM EH50G 5*	50
3600 160 55	BAL.WEIG.H 160 ST.RIM EH55G 5*	50
3600 160 60	BAL.WEIG.H 160 ST.RIM EH60G 5*	50

Balance Weight for Steel Rims Type 161 **FORCH*******

- Balance weight Hofmann Type 161, Made in Germany
- Material: Zinc with impact-resistant plastic coating

Application:

- Wide range of application due to geometry of weight body and spring



Article No.	Article Description	QTY
3600 161 5	BAL.WEIG.H 161 ST.RIM EH 5G 5*	100
3600 161 10	BAL.WEIG.H 161 ST.RIM EH10G 5*	100
3600 161 15	BAL.WEIG.H 161 ST.RIM EH15G 5*	100
3600 161 20	BAL.WEIG.H 161 ST.RIM EH20G 5*	100
3600 161 25	BAL.WEIG.H 161 ST.RIM EH25G 5*	100
3600 161 30	BAL.WEIG.H 161 ST.RIM EH30G 5*	100
3600 161 35	BAL.WEIG.H 161 ST.RIM EH35G 5*	50
3600 161 40	BAL.WEIG.H 161 ST.RIM EH40G 5*	50
3600 161 45	BAL.WEIG.H 161 ST.RIM EH45G 5*	50
3600 161 50	BAL.WEIG.H 161 ST.RIM EH50G 5*	50
3600 161 55	BAL.WEIG.H 161 ST.RIM EH55G 5*	50
3600 161 60	BAL.WEIG.H 161 ST.RIM EH60G 5*	50

Balance Weight for Steel Rims Type 164 **FORCH*******

- Balance weight Hofmann Type 164, Made in Germany
- Material: Zinc with impact-resistant plastic coating

Application:

- For French vehicles and rims with heavy rim flange (e.g. vans)



Article No.	Article Description	QTY
3600 164 5	BAL.WEIG.H 164 FRE.VEH. 5G 5*	100
3600 164 10	BAL.WEIG.H 164 FRE.VEH.10G 5*	100
3600 164 15	BAL.WEIG.H 164 FRE.VEH.15G 5*	100
3600 164 20	BAL.WEIG.H 164 FRE.VEH.20G 5*	100
3600 164 25	BAL.WEIG.H 164 FRE.VEH.25G 5*	100
3600 164 30	BAL.WEIG.H 164 FRE.VEH.30G 5*	100
3600 164 35	BAL.WEIG.H 164 FRE.VEH.35G 5*	50
3600 164 40	BAL.WEIG.H 164 FRE.VEH.40G 5*	50
3600 164 45	BAL.WEIG.H 164 FRE.VEH.45G 5*	50
3600 164 50	BAL.WEIG.H 164 FRE.VEH.50G 5*	50
3600 164 55	BAL.WEIG.H 164 FRE.VEH.55G 5*	50
3600 164 60	BAL.WEIG.H 164 FRE.VEH.60G 5*	50

Balance weight for steel rims type 187 **FORCH*******

- Balance weight Hofmann Type 187, Made in USA
 - Material: Steel with impact-resistant plastic coating
- Application:**
- for Ford Transit steel rims from constr.year 5/2014
 - usable even for vehicles below 3.5 t in EU (lead-free)
 - Special holding springs with barb for extra strong connection



Article No.	Article Description	QTY
3600 187 10	BAL.W. H 187 FORD EH 10G 5*	100
3600 187 15	BAL.W. H 187 FORD EH 15G 5*	100
3600 187 20	BAL.W. H 187 FORD EH 20G 5*	100
3600 187 25	BAL.W. H 187 FORD EH 25G 5*	100
3600 187 30	BAL.W. H 187 FORD EH 30G 5*	100
3600 187 35	BAL.W. H 187 FORD EH 35G 5*	50

Article No.	Article Description	QTY
3600 187 40	BAL.W. H 187 FORD EH 40G 5*	50
3600 187 45	BAL.W. H 187 FORD EH 45G 5*	50
3600 187 50	BAL.W. H 187 FORD EH 50G 5*	50
3600 187 55	BAL.W. H 187 FORD EH 55G 5*	50
3600 187 60	BAL.W. H 187 FORD EH 60G 5*	50

Balance Weight for St/Alloy Rims Type 260 **FORCH*******

- Balance weight Hofmann Type 260, Made in Germany
 - Material: Polypropylene Art.-No. 3600 260 5, 3600 260 10
 - Material: Zinc with impact-resistant plastic coating
- Application:**
- For Audi-/VW-steel rims: Art.-No. 3609 1 hold spring V3
 - Delivery of weights without hold springs, but must be ordered additionally to meet their purpose



Article No.	Article Description	QTY
3600 260 5	BAL.WEI.H 260 ST.RIMS SH 5G 5*	100
3600 260 10	BAL.WEI.H 260 ST.RIMS SH10G 5*	100
3600 260 15	BAL.WEI.H 260 ST.RIMS SH15G 5*	100
3600 260 20	BAL.WEI.H 260 ST.RIMS SH20G 5*	100
3600 260 25	BAL.WEI.H 260 ST.RIMS SH25G 5*	100
3600 260 30	BAL.WEI.H 260 ST.RIMS SH30G 5*	100

Article No.	Article Description	QTY
3600 260 35	BAL.WEI.H 260 ST.RIMS SH35G 5*	50
3600 260 40	BAL.WEI.H 260 ST.RIMS SH40G 5*	50
3600 260 45	BAL.WEI.H 260 ST.RIMS SH45G 5*	50
3600 260 50	BAL.WEI.H 260 ST.RIMS SH50G 5*	50
3600 260 55	BAL.WEI.H 260 ST.RIMS SH55G 5*	50
3600 260 60	BAL.WEI.H 260 ST.RIMS SH60G 5*	50

Balance Weight for St/Alloy Rims Type 261 **FORCH*******

- Balance weight Hofmann Type 261, Made in Germany
 - Material: Polypropylene Art.-No. 3600 261 5, 3600 261 10
 - Material: Zinc with impact-resistant plastic coating
- Application:**
- For Mercedes-steel rims: Art.-No. 3609 4 hold spring M1
 - For Mercedes-alloy rims: Art.-No. 3609 5 hold spring MA
 - Delivery of weights without hold springs, but must be ordered additionally to meet their purpose



Article No.	Article Description	QTY
3600 261 5	BAL.WEIG.H261 DAI-CHR SH 5G 5*	100
3600 261 10	BAL.WEIG.H261 DAI-CHR SH10G 5*	100
3600 261 15	BAL.WEIG.H261 DAI-CHR SH15G 5*	100
3600 261 20	BAL.WEIG.H261 DAI-CHR SH20G 5*	100
3600 261 25	BAL.WEIG.H261 DAI-CHR SH25G 5*	100
3600 261 30	BAL.WEIG.H261 DAI-CHR SH30G 5*	100

Article No.	Article Description	QTY
3600 261 35	BAL.WEIG.H261 DAI-CHR SH35G 5*	50
3600 261 40	BAL.WEIG.H261 DAI-CHR SH40G 5*	50
3600 261 45	BAL.WEIG.H261 DAI-CHR SH45G 5*	50
3600 261 50	BAL.WEIG.H261 DAI-CHR SH50G 5*	50
3600 261 55	BAL.WEIG.H261 DAI-CHR SH55G 5*	50
3600 261 60	BAL.WEIG.H261 DAI-CHR SH60G 5*	50

Balance Weight f. Steel/Alloy Wheel Rims Type 274

- Hofmann balance weight type 274 Made in Germany
- Material: polypropylene Art.-No. 3600 274 5, 3600 274 10
- Material: zinc with shock-resistant plastic coating



Use:

- For BMW steel rims: Art.-No. 3609 7 hold spring B1
- For BMW alloy rims: Art.-No. 3609 8 hold spring B3
- Weights are supplied without hold spring and must be ordered separately depending on the intended use



Article No.	Article Description	QTY
3600 274 5	BAL.WEIG.H BMW TY.274 SH5G 5*	100
3600 274 10	BAL.WEIG.H BMW TY.274 SH10G 5*	100
3600 274 15	BAL.WEIG.H BMW TY.274 SH15G 5*	100
3600 274 20	BAL.WEIG.H BMW TY.274 SH20G 5*	100
3600 274 25	BAL.WEIG.H BMW TY.274 SH25G 5*	100
3600 274 30	BAL.WEIG.H BMW TY.274 SH30G 5*	100
3600 274 35	BAL.WEIG.H BMW TY.274 SH35G 5*	50
3600 274 40	BAL.WEIG.H BMW TY.274 SH40G 5*	50
3600 274 45	BAL.WEIG.H BMW TY.274 SH45G 5*	50
3600 274 50	BAL.WEIG.H BMW TY.274 SH50G 5*	50
3600 274 55	BAL.WEIG.H BMW TY.274 SH55G 5*	50
3600 274 60	BAL.WEIG.H BMW TY.274 SH60G 5*	50

Balance Weight for Alloy Rims Type 280 FORCH*****

- Balance weight Hofmann Type 280, Made in Germany
- Material: Polypropylene Art.-No. 3600 280 5, 3600 280 10
- Material: Zinc with impact-resistant plastic coating



Application:

- For alloy rims of all companies of the VW Group: Art.-No. 3609 1 hold spring V3
- Delivery of weights without hold spring, but must be ordered additionally to meet their purpose



Article No.	Article Description	QTY
3600 280 5	BA.WE.H280 VW/AUDI/LM SH 5G 5*	100
3600 280 10	BA.WE.H280 VW/AUDI/LM SH10G 5*	100
3600 280 15	BA.WE.H280 VW/AUDI/LM SH15G 5*	100
3600 280 20	BA.WE.H280 VW/AUDI/LM SH20G 5*	100
3600 280 25	BA.WE.H280 VW/AUDI/LM SH25G 5*	100
3600 280 30	BA.WE.H280 VW/AUDI/LM SH30G 5*	100
3600 280 35	BA.WE.H280 VW/AUDI/LM SH35G 5*	50
3600 280 40	BA.WE.H280 VW/AUDI/LM SH40G 5*	50
3600 280 45	BA.WE.H280 VW/AUDI/LM SH45G 5*	50
3600 280 50	BA.WE.H280 VW/AUDI/LM SH50G 5*	50
3600 280 55	BA.WE.H280 VW/AUDI/LM SH55G 5*	50

Hold Springs for AGR 3600 FORCH*****

- Made in Germany

Article No.	Article Description	QTY
3609 1	HOLD SPRING V3 WEIGHT260/2805*	100
3609 4	HOLD SPRING M1 F.WEIGHT 261 5*	100
3609 5	HOLD SPRING MA F.WEIGHT 261 5*	100
3609 7	HOLD SPRING B1 F.WEIGHT 274 5*	100
3609 8	HOLD SPR. B3 F.WEI. 260/274 5*	100



Balance Weight for Alloy Rims Type 660 **FORCH*******

- Balance weight Hofmann Type 660, Made in Germany
- Material: Zinc with impact-resistant plastic coating

Application:

- Universal weight suitable for many light-metal rims



Article No.	Article Description	QTY
3600 660 5	BA.W.H TYPE660 UNI LM EH 5G 5*	100
3600 660 10	BA.W.H TYPE660 UNI LM EH10G 5*	100
3600 660 15	BA.W.H TYPE660 UNI LM EH15G 5*	100
3600 660 20	BA.W.H TYPE660 UNI LM EH20G 5*	100
3600 660 25	BA.W.H TYPE660 UNI LM EH25G 5*	100
3600 660 30	BA.W.H TYPE660 UNI LM EH30G 5*	100
3600 660 35	BA.W.H TYPE660 UNI LM EH35G 5*	50
3600 660 40	BA.W.H TYPE660 UNI LM EH40G 5*	50
3600 660 45	BA.W.H TYPE660 UNI LM EH45G 5*	50
3600 660 50	BA.W.H TYPE660 UNI LM EH50G 5*	50
3600 660 55	BA.W.H TYPE660 UNI LM EH55G 5*	50
3600 660 60	BA.W.H TYPE660 UNI LM EH60G 5*	50



Balance Weight for Alloy Rims Type 661 **FORCH*******

- Balance weight Hofmann Type 661, Made in Germany
- Material: Zinc with impact-resistant plastic coating

Application:

- For Japanese light-metal rims



Article No.	Article Description	QTY
3600 661 5	BA.W.H 661JAP.LM-RIMS EH 5G 5*	100
3600 661 10	BA.W.H 661JAP.LM-RIMS EH10G 5*	100
3600 661 15	BA.W.H 661JAP.LM-RIMS EH15G 5*	100
3600 661 20	BA.W.H 661JAP.LM-RIMS EH20G 5*	100
3600 661 25	BA.W.H 661JAP.LM-RIMS EH25G 5*	100
3600 661 30	BA.W.H 661JAP.LM-RIMS EH30G 5*	100
3600 661 35	BA.W.H 661JAP.LM-RIMS EH35G 5*	50
3600 661 40	BA.W.H 661JAP.LM-RIMS EH40G 5*	50
3600 661 45	BA.W.H 661JAP.LM-RIMS EH45G 5*	50
3600 661 50	BA.W.H 661JAP.LM-RIMS EH50G 5*	50
3600 661 55	BA.W.H 661JAP.LM-RIMS EH55G 5*	50
3600 661 60	BA.W.H 661JAP.LM-RIMS EH60G 5*	50



Balance Weight for Alloy Rims Type 664 **FORCH*******

- Balance weight Hofmann Type 664, Made in Germany
- Material: Zinc with impact-resistant plastic coating

Application:

- For French vehicles e.g. Renault, Citroen and Peugeot



Article No.	Article Description	QTY
3600 664 5	BA.W.H 664 FRENC.LM-RIMS 5G 5*	100
3600 664 10	BA.W.H 664 FRENC.LM-RIMS10G 5*	100
3600 664 15	BA.W.H 664 FRENC.LM-RIMS15G 5*	100
3600 664 20	BA.W.H 664 FRENC.LM-RIMS20G 5*	100
3600 664 25	BA.W.H 664 FRENC.LM-RIMS25G 5*	100
3600 664 30	BA.W.H 664 FRENC.LM-RIMS30G 5*	100
3600 664 35	BA.W.H 664 FRENC.LM-RIMS35G 5*	50
3600 664 40	BA.W.H 664 FRENC.LM-RIMS40G 5*	50
3600 664 45	BA.W.H 664 FRENC.LM-RIMS45G 5*	50
3600 664 50	BA.W.H 664 FRENC.LM-RIMS50G 5*	50
3600 664 55	BA.W.H 664 FRENC.LM-RIMS55G 5*	50
3600 664 60	BA.W.H 664 FRENC.LM-RIMS60G 5*	50



Balance Weight for Alloy Rims Type 666 FORCH*****

- Balance weight Hofmann Type 666, Made in Germany
- Material: Zinc with impact-resistant plastic coating
- Extra short hold spring for rims with low sealing face
- Hold spring with beading to increase the holding force of the weights



Application:

- For Ford and Volvo

Article No.	Article Description	QTY
3600 666 5	BA.W.H 666UNI LM SH.SPR. 5G 5*	100
3600 666 10	BA.W.H 666UNI LM SH.SPR.10G 5*	100
3600 666 15	BA.W.H 666UNI LM SH.SPR.15G 5*	100
3600 666 20	BA.W.H 666UNI LM SH.SPR.20G 5*	100
3600 666 25	BA.W.H 666UNI LM SH.SPR.25G 5*	100
3600 666 30	BA.W.H 666UNI LM SH.SPR.30G 5*	100
3600 666 35	BA.W.H 666UNI LM SH.SPR.35G 5*	50
3600 666 40	BA.W.H 666UNI LM SH.SPR.40G 5*	50
3600 666 45	BA.W.H 666UNI LM SH.SPR.45G 5*	50
3600 666 50	BA.W.H 666UNI LM SH.SPR.50G 5*	50
3600 666 55	BA.W.H 666UNI LM SH.SPR.55G 5*	50
3600 666 60	BA.W.H 666UNI LM SH.SPR.60G 5*	50



Balance Weight for Alloy Rims Type 691 FORCH*****

- Balance weight Hofmann Type 691, Made in Germany
- Material: Zinc with impact-resistant plastic coating
- Weights are only available in ounce increments



Application:

- For Chrysler alloy rims

Article No.	Article Description	QTY
3600 691 1	BAL.W.H 691 CHRYS. 1.00 OZ 5*	25
3600 691 150	BAL.W.H 691 CHRYS. 1.50 OZ 5*	25



Adhesive Weights Type 360 FORCH*****

- Balance weight Hofmann Type 360, Made in Germany
- Material: Zinc with impact-resistant plastic coating
- Material thickness including adhesive tape: 5.8 mm, width 15mm



Application:

- For Audi, Mercedes-Benz and Land Rover

Article No.	Article Description	QTY
3600 360 5	ADHES.WEIGHT H TYPE 360 5G 5*	100
3600 360 10	ADHES.WEIGHT H TYPE 360 10G 5*	100
3600 360 15	ADHES.WEIGHT H TYPE 360 15G 5*	100
3600 360 20	ADHES.WEIGHT H TYPE 360 20G 5*	100
3600 360 25	ADHES.WEIGHT H TYPE 360 25G 5*	100
3600 360 30	ADHES.WEIGHT H TYPE 360 30G 5*	100
3600 360 35	ADHES.WEIGHT H TYPE 360 35G 5*	50
3600 360 40	ADHES.WEIGHT H TYPE 360 40G 5*	50
3600 360 45	ADHES.WEIGHT H TYPE 360 45G 5*	50
3600 360 50	ADHES.WEIGHT H TYPE 360 50G 5*	50
3600 360 55	ADHES.WEIGHT H TYPE 360 55G 5*	50
3600 360 60	ADHES.WEIGHT H TYPE 360 60G 5*	50



Adhesive Weights Type 361 **FÖRCH*******

- Balance weight Hofmann Type 361, Made in Germany
- Material: Zinc with impact-resistant plastic coating
- Material thickness including adhesive tape: 3.8mm, width 19mm
- For mountings with little free spaces



Application:

- For Ford, Opel and VW

Article No.	Article Description	QTY
3600 361 5	ADH.WEIG.H TYPE361 FLAT 5G 5*	100
3600 361 10	ADH.WEIG.H TYPE361 FLAT 10G 5*	100
3600 361 15	ADH.WEIG.H TYPE361 FLAT 15G 5*	100
3600 361 20	ADH.WEIG.H TYPE361 FLAT 20G 5*	100
3600 361 25	ADH.WEIG.H TYPE361 FLAT 25G 5*	100
3600 361 30	ADH.WEIG.H TYPE361 FLAT 30G 5*	100
3600 361 35	ADH.WEIG.H TYPE361 FLAT 35G 5*	50
3600 361 40	ADH.WEIG.H TYPE361 FLAT 40G 5*	50
3600 361 45	ADH.WEIG.H TYPE361 FLAT 45G 5*	50
3600 361 50	ADH.WEIG.H TYPE361 FLAT 50G 5*	50
3600 361 55	ADH.WEIG.H TYPE361 FLAT 55G 5*	50
3600 361 60	ADH.WEIG.H TYPE361 FLAT 60G 5*	50



Glue Balance Weight Car Type 390 **FÖRCH*******

- Hofmann balance weight type 390 Made in Germany
- Material: Zinc with shock-resistant plastic coating
- Material thickness incl. adhesive tape 5.8 mm, width 15 mm



Application:

- With BMW and MINI

Article No.	Article Description	QTY
3600 390 5	GLUE BAL.WEI.H TYPE 3905G 5*	100
3600 390 10	GLUE BAL.WEI.H TYPE 390 10G 5*	100
3600 390 15	GLUE BAL.WEI.H TYPE 390 15G 5*	100
3600 390 20	GLUE BAL.WEI.H TYPE 390 20G 5*	100
3600 390 25	GLUE BAL.WEI.H TYPE 390 25G 5*	100
3600 390 30	GLUE BAL.WEI.H TYPE 390 30G 5*	100
3600 390 35	GLUE BAL.WEI.H TYPE 390 35G 5*	50
3600 390 40	GLUE BAL.WEI.H TYPE 390 40G 5*	50
3600 390 45	GLUE BAL.WEI.H TYPE 390 45G 5*	50
3600 390 50	GLUE BAL.WEI.H TYPE 390 50G 5*	50
3600 390 55	GLUE BAL.WEI.H TYPE 390 55G 5*	50
3600 390 60	GLUE BAL.WEI.H TYPE 390 60G 5*	50



Glue Balance Weight Motorbike Type 799 **FÖRCH*******

- Hofmann balance weight type 799 Made in Germany
- High formability
- Material: Zinc with shock-resistant plastic coating
- Material thickness incl. adhesive tape 6.8 mm, width 11 mm



Application:

- With BMW and other brands of motorbikes

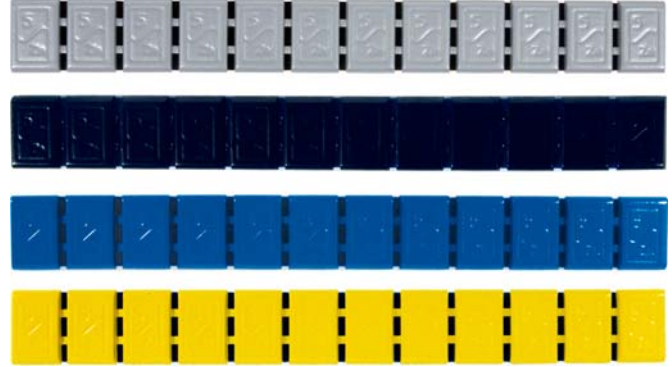
Article No.	Article Description	QTY
3600 799 5	GLUE BAL.WEI.H TYPE 799 5G 5*	25
3600 799 10	GLUE BAL.WEI.H TYPE 799 10G 5*	25
3600 799 15	GLUE BAL.WEI.H TYPE 799 15G 5*	25
3600 799 20	GLUE BAL.WEI.H TYPE 799 20G 5*	25
3600 799 25	GLUE BAL.WEI.H TYPE 799 25G 5*	25
3600 799 30	GLUE BAL.WEI.H TYPE 799 30G 5*	25



Glue Balanc.Weight Strip Car Type 380 60g **FÖRCH*******



- Hofmann balance weight type 380
- Made in Germany
- Material: zinc with tough plastic coating
- Divided into 12 x 5 g segments
- With special adhesive strip that provides a residue-free removal of the weight from the rim
- A time-consuming post-clean of the remaining adhesive strip is not necessary
- The strip optimally conforms with the rim contour due to the grid bar technology
- Grid bars provide a stable connection of the individual segments
- Easily separable as the adhesive strip is perforated
- Clean separating edges on the adhesive strip when breaking off individual segments using optimised foam
- Strong hold of all current types of rim
- Highest corrosion resistance protects the weight in all weather conditions
- Colours: silver, black, blue, yellow
- Dimensions including adhesive strip (L x W x H): 169 x 19 x 3.8 mm



Article No.	Article Description	QTY
3623 380 60	GL.BAL.WEI.<12X5G>60G SILV. 5*	50
3623 380 60 1	GL.BAL.WEI.<12X5G>60G BLACK 5*	50
3623 380 60 5	GL.BAL.WEI.<12X5G>60G BLUE 5*	25
3623 380 60 6	GL.BAL.WEI.<12X5G>60G YELL. 5*	25

Rolls of Adhes. Balanc. Weights 355/357 & Speedcut

Art.-No. 3623 350:

- Speedcut roll holder with blade Art.-No. 3623 350 2
- For tape-a-weight rolls Type 355 / Type 357
- Multi-purpose fixing on wall, balancing machine or on floor stand
- When delivered, the Type 355 scale is fixed on the Speedcut sticker for Type 357 scale included in delivery
- Dimensions (L x W x H): 48.5 x 4.5 x 29 cm

Art.-No. 3623 350 1:

- Speedcut floor stand and accessories
- Ready to take up to 2 Speedcut roll holders
- Contents: 5x hook for pegboard, 1x bucket for weights, 1x waste bin for protective foil Art.-No. 3623 350 3
- Dimensions base plate (L x W): 41 x 46 cm, total height: 98 cm

Art.-No. 3623 350 2:

- Speedcut replacement blade

Art.-No. 3623 350 3:

- Speedcut waste bin for protective foil

Art.-No. 3623 351:

- 2x Speedcut roll holder Art.-No. 3623 350 and 1x floor stand Art.-No. 3623 350 1

Art.-No. 3623 351 1:

- 1x Speedcut roll holder Art.-No. 3623 350 and 1x floor stand Art.-No. 3623 350 1

Tape-a-weight rolls:

- Hofmann Power Weight balance weights, Made in Germany
- Weight: 5 kg roll Type 355 / Type 357
- 1,000 pcs endless weights in 5 g segments
- Dimension incl. adhesive tape (W x H): 19 x 3.8 mm

Art.-No. 3623 355:

- Material: steel, zinc-coated
- Colour: silver
- Scale from 5 – 55 g

Art.-No. 3623 355 1:

- Material: steel, zinc-coated
- Colour: black
- Scale from 5 – 55 g

Art.-No. 3623 357:

- Material: zinc coated
- Colour: silver
- Scale from 5 – 45 g

Art.-No. 3623 357 1:

- Material: zinc coated
- Colour: black
- Scale from 5 – 45 g



3623 350 1



3623 350 2

3623 350 3



3623 355



3623 355 1



3623 357



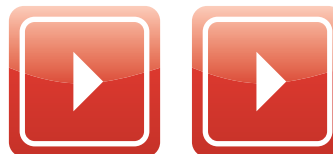
3623 357 1

Your Advantage / Benefit

- Roll supplied in box for immediate use
- Individual segments means no jagged edges when separated
- Protective foil projects 3 mm for easy removal
- Removing weight from the rim leaves no residue
- Higher initial adhesive strength
- Backing easy to pull off
- „Anti-roll-Back“-feature prevents the roll end from slipping back in the box
- Environmentally-friendly packaging without plastic

Application

- For steel and aluminium wheels



Article No.	Article Description	QTY
3623 350	SPEEDCUT ROLL HOLDER + BLADE	1
3623 350 1	SPEEDCUT FLOOR STAND+ACCESSORY	1
3623 350 2	SPEEDCUT REPLACEMENT BLADE	1
3623 350 3	SPEEDCUT WASTE BIN F.PROT.FOIL	1
3623 351	SPEEDCUT ROLL H.(2X)+FL.STAND	1

Article No.	Article Description	QTY
3623 351 1	SPEEDCUT ROLL H.(1X)+FL.STAND	1
3623 355	RO(5KG)T355K-AWG STSI1000X5G5*	1
3623 355 1	RO(5KG)T355K-AWG STSZ1000X5G5*	1
3623 357	RO(5KG)T357K-AWG ZNSI1000X5G5*	1
3623 357 1	RO(5KG)T357K-AWG ZNSZ1000X5G5*	1

Adh. Balance Weight f. Cars Type 369, 30g **FÖRCH*******

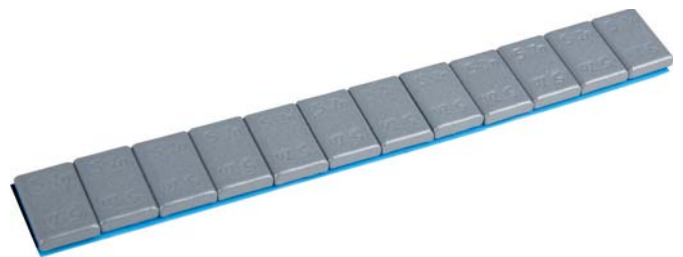
- Balance weight „Hofmann“ Type 369
- Made in Germany
- Material: Zinc, plastic coated
- Divided into 4 × 5 g segments and 4 × 2.5 g segments
- With special adhesive tape which allows the weight to be removed from the rim without trace
- Time-consuming removal of tape residue is no longer necessary
- To be cut off via reduced centre bar
- Dimensions including adhesive tape (L × W × H): 115.0 × 19.0 × 2.8 mm



Article No.	Article Description	QTY
3623 30 1	ADH<4X5/2.5G>30G ZN 2.8MM 5*	100

Adhesive Balance Weight for Cars Type 371, 60 g

- Balance weight Type 371, Made in Germany
- Material: Zinc powder coated
- divided in 12 × 5 g segments
- Easy to cut using scissors or knife
- Flexible and easy adaption to the rims
- 3 mm remaining film for easy removal
- Dimensions incl. adhesive tape (L × W × H): 140.0 × 19.0 × 3.8 mm



Article No.	Article Description	QTY
3623 60	ADH.WEIGHTS<12X5G>60G ZN 4.0MM	100

Adhesive Weight for Cars Form 92, 45 g

- Balance weight Franken Form 92, Made in Germany
- Material: Zinc powder coated
- 3× 5 g segments and 3× 10 g segments
- For cutting via reduced centre bar
- Dimensions incl. adhesive tape (L × W × H): 105 × 15.0 × 5.5 mm



Article No.	Article Description	QTY
3623 45	ADH.WEIG.<3X10/5G>45G ZN 5.5MM	100

Adh. Balance Weight for Cars Form K 93 Flat, 45 g

- Balance weight Franken Form 93, Made in Germany
- Material: Zinc powder coated
- Diveded in each 3× 5 g segments and 3× 10 g segments
- For cutting via reduced centre bar
- Dimensions incl. adhesive tape (L × W × H): 121.0 × 19.0 × 3.8 mm



Article No.	Article Description	QTY
3623 45 1	ADH.WEIG.<3X10/5G>45G ZN 3.8MM	100

Adh. Balance Weight Motorcycle, Lead, Form K6, 40 g

- Balance weight Franken Form K6, Made in Germany
- divided in 8x 5 g segments
- With indents to cut and adapt to the rim radius, very slim
- Dimension incl. adhesive tape (L x W x H): 108.0 x 10.0 x 4.7 mm

Art.-No. 3524 40:

- Material: lead chromated

Art.-No. 3524 40 1:

- Material: lead plain



Article No.	Article Description	QTY
3524 40	ADH.WEIG.K6 PB<8X5G>40G CHROME	50
3524 40 1	ADH.WEIG.K6 PB<8X5G>40G PLAIN	50

Adh. Balance Weight Car Type 97, Black, 60 g **ECO**

- Balance weight Franken Type 97, Made in Germany
- divided in 12x 5 g segments
- Material: Steel with impact-resistant black plastic coating
- Easy to cut using scissors or knife
- No unprotected cutting edges
- Flexible and can be adapted easily to rim radius
- Dimension incl. adhesive tape (L x W x H): 150.0 x 19.0 x 4.0 mm



Article No.	Article Description	QTY
3623 60 1	ADH.WEIG.BLACK<12X5G>60G ST4.0	100

Adhesive Balance Weights on Rollers 371R **FÖRCH*******

- Made in Germany
- Material: Zinc with impact-resistant grey plastic coating
- Weight: 5 kg roll
- 1,000 pieces of endless weights in 5 g segments
- The scale which displays 0 to 70 on the front side of the carton makes the selection of the required gramme amount easier
- 3 mm remaining film for easy removal
- Dimension incl. adhesive tape (W × H): 19.0 × 3.8 mm



Article No.	Article Description	QTY
3623 5	RO(5KG)ADH.WEIG.ZN <1000X5G>5*	1

Adhesive Balance Weights on Rollers Type 397R **ECO**

- Made in Germany
- Material: Steel with impact-resistant grey plastic coating
- Weight: 5 kg roll
- 1,000 pieces of endless weights in 5g segments
- The scale which displays 0 to 70 on the front side of the carton makes the selection of required gramme amount easier
- 3 mm remaining film for easy removal
- Dimension incl. adhesive tape (W × H): 19.0 × 3.8 mm



Article No.	Article Description	QTY
3623 5 1	RO(5KG)ADH.WEIG.ST<1000X5G>ECO	1

Roll Holder for Adhesive Weights

- Made of sheet steel for wall and table mounting

Article No.	Article Description	QTY
3623 1	ROLL HOLD.F.ADH.WEIGHT ROLLS	1



Univ. Balance Weights for Steel Rims Type 84 **ECO**

- Balance weight type 84 silver
- Made in Germany
- Material: Steel Art.-No. 3680N 5 spring weight
- Material: Zinc powder coated

Application:

- Universal weight for many steel rims, French vehicles and light trucks

Article No.	Article Description	QTY
3680N 5	BAL.WEIGHT.UNI ST.RIMS ECO 5G	100
3680N 5 1	BAL.WEIGHT.UNI ST.RIMS ECO 5G	100
3680N 10	BAL.WEIGHT.UNI ST.RIMS ECO 10G	100
3680N 15	BAL.WEIGHT.UNI ST.RIMS ECO 15G	100
3680N 20	BAL.WEIGHT.UNI ST.RIMS ECO 20G	100
3680N 25	BAL.WEIGHT.UNI ST.RIMS ECO 25G	100
3680N 30	BAL.WEIGHT.UNI ST.RIMS ECO 30G	100
3680N 35	BAL.WEIGHT.UNI ST.RIMS ECO 35G	50
3680N 40	BAL.WEIGHT.UNI ST.RIMS ECO 40G	50
3680N 45	BAL.WEIGHT.UNI ST.RIMS ECO 45G	50
3680N 50	BAL.WEIGHT.UNI ST.RIMS ECO 50G	50



Balance weights for steel rims Type 84 B black **ECO**

- Balance weight type 84 B black
- Made in Germany
- Material: Zinc powder coated

Application:

- Universal weight for steel rims, french vehicles and light-trucks

Article No.	Article Description	QTY
3681N 5	BAL.WEI.STEEL RIM BK ECO 5G	100
3681N 10	BAL.WEI.STEEL RIM BK ECO 10G	100
3681N 15	BAL.WEI.STEEL RIM BK ECO 15G	100
3681N 20	BAL.WEI.STEEL RIM BK ECO 20G	100
3681N 25	BAL.WEI.STEEL RIM BK ECO 25G	100
3681N 30	BAL.WEI.STEEL RIM BK ECO 30G	100
3681N 35	BAL.WEI.STEEL RIM BK ECO 35G	50
3681N 40	BAL.WEI.STEEL RIM BK ECO 40G	50
3681N 45	BAL.WEI.STEEL RIM BK ECO 45G	50
3681N 50	BAL.WEI.STEEL RIM BK ECO 50G	50



Univ. Balance Weights f. Aluminium Rims Type 84 **ECO**

- Balance weight type 63 silver
- Made in Germany
- Material: Steel Art.-No. 3662N 5 spring weight
- Material: Zinc powder coated

Application:

- Universal weight for many aluminium rims

Article No.	Article Description	QTY
3662N 5	BAL.WEIGHT UNI LM-RIMS ECO 5G	100
3662N 5 1	BAL.WEIGHT UNI LM-RIMS ECO 5G	100
3662N 10	BAL.WEIGHT UNI LM-RIMS ECO 10G	100
3662N 15	BAL.WEIGHT UNI LM-RIMS ECO 15G	100
3662N 20	BAL.WEIGHT UNI LM-RIMS ECO 20G	100
3662N 25	BAL.WEIGHT UNI LM-RIMS ECO 25G	100
3662N 30	BAL.WEIGHT UNI LM-RIMS ECO 30G	100
3662N 35	BAL.WEIGHT UNI LM-RIMS ECO 35G	50
3662N 40	BAL.WEIGHT UNI LM-RIMS ECO 40G	50
3662N 45	BAL.WEIGHT UNI LM-RIMS ECO 45G	50
3662N 50	BAL.WEIGHT UNI LM-RIMS ECO 50G	50



Adhesive Weights Steel 60 g **ECO**

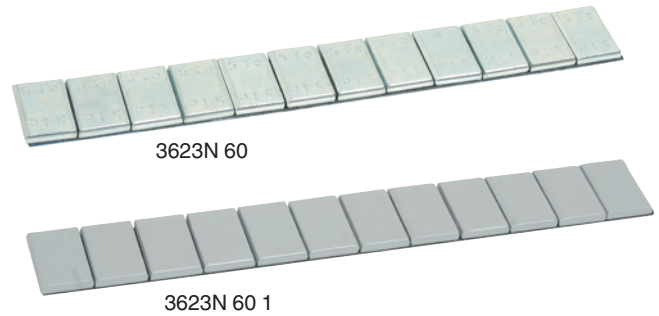
- Made in Germany
- 12x 5 g segments
- Easy to cut using scissors or knife
- Flexible and easy to fit to rim radius
- No unprotected cutting edges
- Dimension including adhesive tape (L x W x H): 131.0 x 19.0 x 4.0 mm

Art.-No. 3623N 60:

- Material: zinc-coated steel
- Content: 100 pcs

Art.-No. 3623N 60 1:

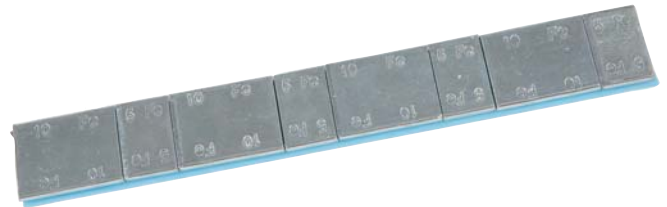
- Material: Steel powder coated
- Content: 100 pcs



Article No.	Article Description	QTY
3623N 60	ADH.WEIGHT<12X5G>ST.ZN ECO 60G	100
3623N 60 1	AD.WEIG.<12X5G>ST.LACQ.ECO 60G	100

Adhesive bal.w.bar f.car type 398, steel 60 g **ECO**

- Balance weight type 398U
- Made in Germany
- Material: Steel
- Divided into 4 x 10 g segments and 4 x 5 g segments
- Protective foil with 3-mm overhang for easy removal
- Easy to cut with scissors or knife
- Dimensions including adhesive tape L x W x H: 150.0 x 19.0 x 3.8 mm



Article No.	Article Description	QTY
3623N 60 2	AD.AWG<4X10/4X5G>ST.GV ECO 60G	100

Adhesive weight pliers **FÖRCH*******

- Effortlessly removes balancing weights stuck on the rim without damaging them
- The specially formed mouth of the pliers grips the side of the balancing weights!
- The jaws are positioned in such a way that thin balancing weights can be gripped near the rim without touching it!
- Length: 230 mm
- Weight: 510 g



Article No.	Article Description	QTY
3530 4	ADHESIVE WEIGHT PLIERS230MM 5*	1

Pliers for Bal. Weights Plastic Imp. Head **FÖRCH*******

- Extra long impact head with plastic impact cap (unscrewable) for coated balance weights
- Chrome-Vanadium-Steel, forged
- Hardened gripping hook
- Release and cutting device
- Hub cap puller
- Weight: 368 g
- Length: 245 mm



Article No.	Article Description	QTY
3530 3	PLIERS F.BA.WEIG.PLA.IMP.HD 5*	1
3530 3 1	REPLACE.PLASTIC IMPACT HEAD	1

Pliers for Balance Weight **FÖRCH*******

- Rounded extra long hammer head made of steel, which ensures a better power punch
- Chrome-Vanadium-Steel, forged
- Hardened gripping hook
- Release and cutting device
- Hub cap puller
- Weight: 364 g
- Length: 245 mm



Article No.	Article Description	QTY
3530 2	PLIERS FOR BALANCE WEIGHT 5*	1

Pliers for Balance Weight

- With cutting device
- Hub cap puller
- Rounded hammer head made of steel
- Rubber handle
- Weight: 420 g
- Length: 260 mm



Article No.	Article Description	QTY
3530 1	PLIERS FOR BALANCE WEIGHT	1

Valves for Cars, Rubber **FÖRCH*******

- Rubber-covered valves for tubeless tyres
- Air pressure up to 4.5 bar at 20°C
- Max. speed up to 210 km/h
- Wheel rim density: 1.8 up to 4 mm
- Manufactured according to E.T.R.T.O. (European Wheel- and Wheel Rim Licensed Expert Organisation)



Art.-No. 3570 412

- Even suitable for motorcycles

Technical Data		
Art.-No.	For rim hole mm	Length mm
3570412	11.3	32.0
3570413	11.3	43.0
3570414	11.3	49.0
35704141	11.3	57.0
3570418	11.3	61.5
3570415	15.7	43.0



TR 412 TR 413 TR 414 TR 414 lang TR 418 TR 415

Article No.	Article Description	QTY
3570 412	VALVES RUBBER TR-412 5*	100
3570 413	VALVES RUBBER TR-413 5*	100
3570 414	VALVES RUBBER TR-414 5*	100
3570 414 1	VALVES RUBBER TR-414 LONG 5*	100
3570 418	VALVES RUBBER TR-418 5*	100
3570 415	VALVES RUBBER TR-415 5*	100

Valves for Cars, Rubber **ECO**

- Rubber-covered valves for tubeless tyres
- Air pressure up to 4.5 bar at 20 °C
- Max. speed up to 210 km/h
- Wheel rim thickness: 1.8 up to 4 mm
- 100 % full automatic function test after production process
- Produced according to E.T.R.T.O (European Wheel and Wheel Rim Licensed Expert Organisation)

Art.-No. 3570N 412:

- Even suitable for motorcycles

Technical Data		
Art.-No.	For rim hole mm	Length mm
3570N 412	11.3	33.0
3570N 413	11.3	43.0
3570N 414	11.3	49.0
3570N 414 1	11.3	57.0
3570N 418	11.3	61.5



TR 412 TR 413 TR 414 TR 414 lang TR 418

Article No.	Article Description	QTY
3570N 412	N-VALVES RUBBER TR 412	100
3570N 413	VALVES RUBBER TR-413 ECO	100
3570N 414	VALVES RUBBER TR-414 ECO	100
3570N 414 1	VALVES RUBBER TR-414 LONG ECO	100
3570N 418	VALVES RUBBER TR-418 ECO	100

Valves for Cars, Unmounted, Rubber **ECO**

- Rubber-covered valves for tubeless tyres
- Air pressure up to 4.5 bar at +20°C
- Max. speed up to 210 km/h
- Wheel rim thickness: 1.8 up to 4 mm
- Produced according to E.T.R.T.O (European Wheel and Wheel Rim Licensed Expert Organisation)

Technical Data

Art.-No.	For rim hole mm	Length mm
3570N 1 413	11.3	43.0
3570N 1 414	11.3	49.0
3570N 1 418	11.3	61.5

Article No.	Article Description	QTY
3570N 1 413	VALVES RUBBER TR-413 LOSE ECO	100
3570N 1 414	VALVES RUBBER TR-414 LOSE ECO	100
3570N 1 418	VALVES RUBBER TR-418 LOSE ECO	100



Valves for Cars, Chrome-Plated

- Rubber-covered valves with chrome sleeve for tubesless tyres
- Air pressure up to 4.5 bar at +20 °C
- Max. speed: up to 210 km/h
- Wheel rim thickness: 1.8 up to 4 mm
- 100 % full automatic function test by manufacturer
- Produced according to E.T.R.T.O (European Wheel and Wheel Rim Licensed Expert Organisation)

Technical Data

Art.-No.	For rim hole mm	Length mm
3572 413	11.3	43.0
3572 414	11.3	49.0

Article No.	Article Description	QTY
3572 413	VALVES RUB/MET NECK VC TR 413	g 100
3572 414	VALVES RUB/MET NECK VC TR 414	g 100



Valves for Cars, Metal

- Metal valves high-gloss chrome colours for tubeless tyres
- Max. tightening torque: 4 – 6 Nm
- Easy mounting and disassembly, due to the tool slot on the valve base
- Max. speed: > 210 km/h (no speed limit)
- Wheel rim thickness: 1.8 up to 4 mm
- Produced according to E.T.R.T.O.(European Wheel and Wheel Rim Licensed Expert Organisation)

Art.-No.3571 1:

- Air pressure up to 14 bar at +20 °C
- 100 % fully automatic function test after production process

Art.-No. 3571 2:

- Air pressure up to 20 bar at +20 °C
- Function test after production process on a random basis

Technical Data

Art. No.	For rim hole mm	Length SW mm	SW mm
3571 1	11.3	45	14
3571 2	11.3	42	11

Article No.	Article Description	QTY
3571 1	METAL VALVE SW 14 45MM	25
3571 2	METAL VALVE SW 11 45MM	25



Car Valves, Aluminium, Black

- Metal valve for tubeless tyres
- Lower weight as the valve is made of light metal aluminium
- Aluminium valve cap with sealing grants 100 % tightness
- Easy mounting and disassembly, cap nut fits over the valve cap
- Black anodized which ensures permanent surface coating and avoids spalling of the colour
- Corrosion protection, as the cap and body is made of the same material
- Hex nut with clip-disc, which avoids damages and spares the wheel rim
- Air pressure up to 14 bar at +20 °C
- Max. tightening torque: 4 ±0,5 Nm
- Max. speed: > 210 km/h (no speed limit)
- Wheel rim thickness: 1.8 up to 4 mm
- 100 % full automatic function test by the manufacturer
- Procured according to E.T.R.T.O. (European Wheel and Wheel Rim License Expert Organisation)



Technical Data			
Art.-No.	For hole mm	Length mm	SW mm
3571 8	11.3	43	11

Article No.	Article Description	QTY
3571 8	VALVE ALU BLACK ANODIZED 42MM	20

Transporter Valves

- Metallic valves for tubeless tyres for vehicles and transporters
- Specially designed for transporter rims
- Rounded valve foot prevents tyre damage during assembly
- Valve foot with tool slit for trouble-free assembly and disassembly
- New sealing concept for increased safety and longer lifetime
- High temperature sealing
- With captive plastic disc for protecting the rim
- Valve cap must not be removed for assembly
- Air pressure up to max. 10 bar at +20 °C
- Max. tightening torque: 4 – 6Nm
- Max. speed: > 210 km/h (no speed limit)
- Wheel rim thickness: 1.2 up to 5 mm
- Function test after production on a random basis
- Produced according to E.T.R.T.O. (European Wheel and Wheel Rim Licensed Expert Organisation)



3571 3

3571 4

Technical Data			
Art.-No.	For hole mm	Length mm	SW mm
35713	11.3	42	12
35714	11.3	47	12

Article No.	Article Description	QTY
3571 3	METAL VALVE SW 12 42MM	20
3571 4	METAL VALVE SW 12 47MM	20

Valves Transporter CVV Easy

- for tubeless tyres, specially for vans and camper vans
- the patented design of the CVV combines the high compression strength of a metal valve with the ease of installation of a snap-in rubber valve
- an optimised sealing contour and highly flexible sealing lip ensure optimum sealing of the rim
- the patented pressure disc holds the valve securely in the wheel, even at high pressure
- Temperature-resistant from -40°C to +130°C
- Air pressure up to 7 bar at + 20°C
- max. speed up to 210 km/h
- Rim thickness: 1.8 to 4 mm
- 100% fully automatic function test via manufacturer



Assembly:

1. Thoroughly clean the flange and the area around the valve hole. Check the rim for damage around the valve hole.
2. Coat the valve with **fitting compound** or a similar, suitable lubricant before installation.
3. Insert the valve by hand, applying gentle pressure. The valve must be positioned in an axial direction in relation to the rim hole – do not tilt. In individual cases, if the rim shape is not ideal, it may be necessary to gently turn the valve until it is in the correct position.
4. Ensure correct fit of valve in rim!

Disassembly:

1. To disassemble, take hold of the patented pressure disc using pliers or a screwdriver and remove.
2. Now the valve can simply be pulled out of the valve hole using the valve mounting lever (Art.-No. 3575 3). No special tools required! No rim damage!



3571 5

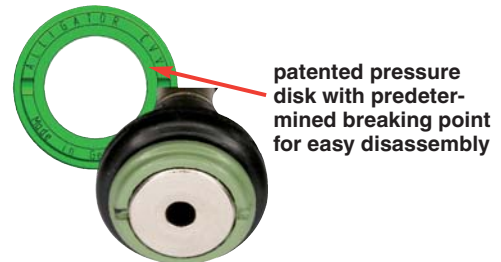
3571 6

3571 7

Technical Data

Art.-No.	Rim hole mm	Length mm
3571 5	11.3	40
3571 6	11.3	47
3571 7	11.3	60

Article No.	Article Description	QTY
3571 5	CVV TRANSPORTER VALVE 40MM	w 100
3571 6	CVV TRANSPORTER VALVE 47MM	w 100
3571 7	CVV TRANSPORTER VALVE 60MM	w 100

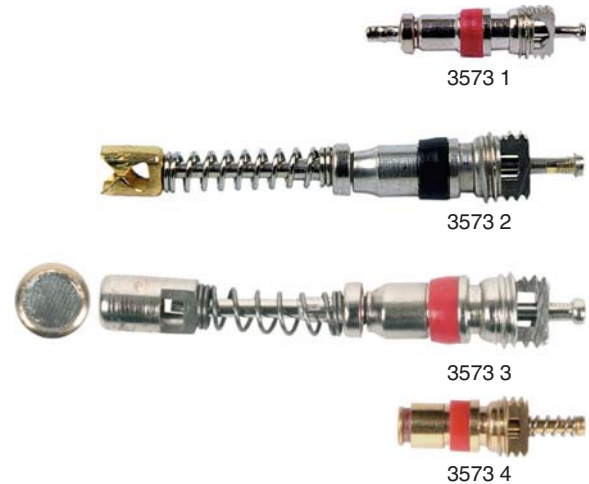


Valve Core Housings

Art.-No. 3573 3:

- Valve core housing when using Truck Quick Balance, balance granulate

Article No.	Article Description	QTY
3573 1	TYRE VALVE INSERT SHORT	100
3573 2	TYRE VALVE INSERT LONG	100
3573 3	TYRE VALVE INS.W.FILTER TYPE 3	100
3573 4	TYRE VALVE VERY SHORT	100



Valve Caps

Article No.	Article Description	QTY
3574 2	VALVE MET.WITH VALVE L. TYPE 2	100
3574 4	VALVE CAP METAL TYPE 4	100
3574 5	TYRE VALVE CAP PLASTIC TYPE 5	100
3574 6	TYRE VALVE CAP PLASTIC TYPE 6	100



Valve Tools

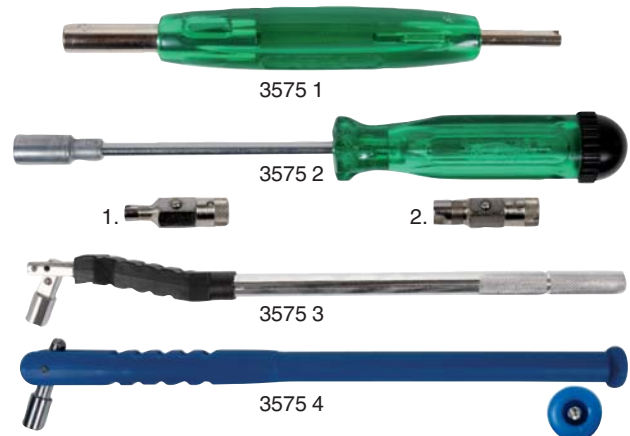
Art.-No. 3575 2:

- Inserts:
 1. Valve screw driver for standard-valve inserts and valve caps
 2. Valve screw driver for GM-valve inserts and valve caps (GM = Ground Machines)

Art.-No. 3575 4:

- Including a valve inserts-turner in the grip

Article No.	Article Description	QTY
3575 1	TYRE VALVE INSERT TOOL TYPE 1	1
3575 2	TYRE VALVE INSERT TOOL TYPE 2	1
3575 3	TYRE VALVE INSERT TOOL TYPE 3	1
3575 4	VALVE LEVER PLASTIC TYPE 4	1



Valve Insert Torque Turner

- Maintenance-free, does not require recalibration
- For screwing into short or long valve inserts
- Prevents excessive turning or compression of the rubber seal
- The handle jumps audibly and noticeably when the torque is reached
- Torque limit: approx. 0.25 Nm

Article No.	Article Description	QTY
3575 5	VALVE INSERT TORQUE TURNER	1



Tyre Pressure Monitoring Systems

Most universal sensors consist of few components. Mostly the sensors are supplied pre-assembled with either rubber or steel valve.

The individual components can be found below in the detailed view of the example of a metal valve



The Modules for Successfully Using TPMS



Diagnostic and programming tool

Besides the sensor ID, our specialized device can wirelessly read pressure, temperature, or battery status and Technical Data from the tyre in question. The sensor ID can be easily copied to all universal sensors.



Universal sensors

The universal sensors by the three major brands **Alligator**, **Huf** and **Schrader** cover over 90 % of all manufacturers and model series. All sensors can be programmed with just one device which ensures maximum flexibility.



Valves and service kits

Usually, already supplied complete with integrated sensors, available with either rubber or steel valves and matching service kits. Due to their universal design, the valves can be used with almost all tyre types and manufacturers.



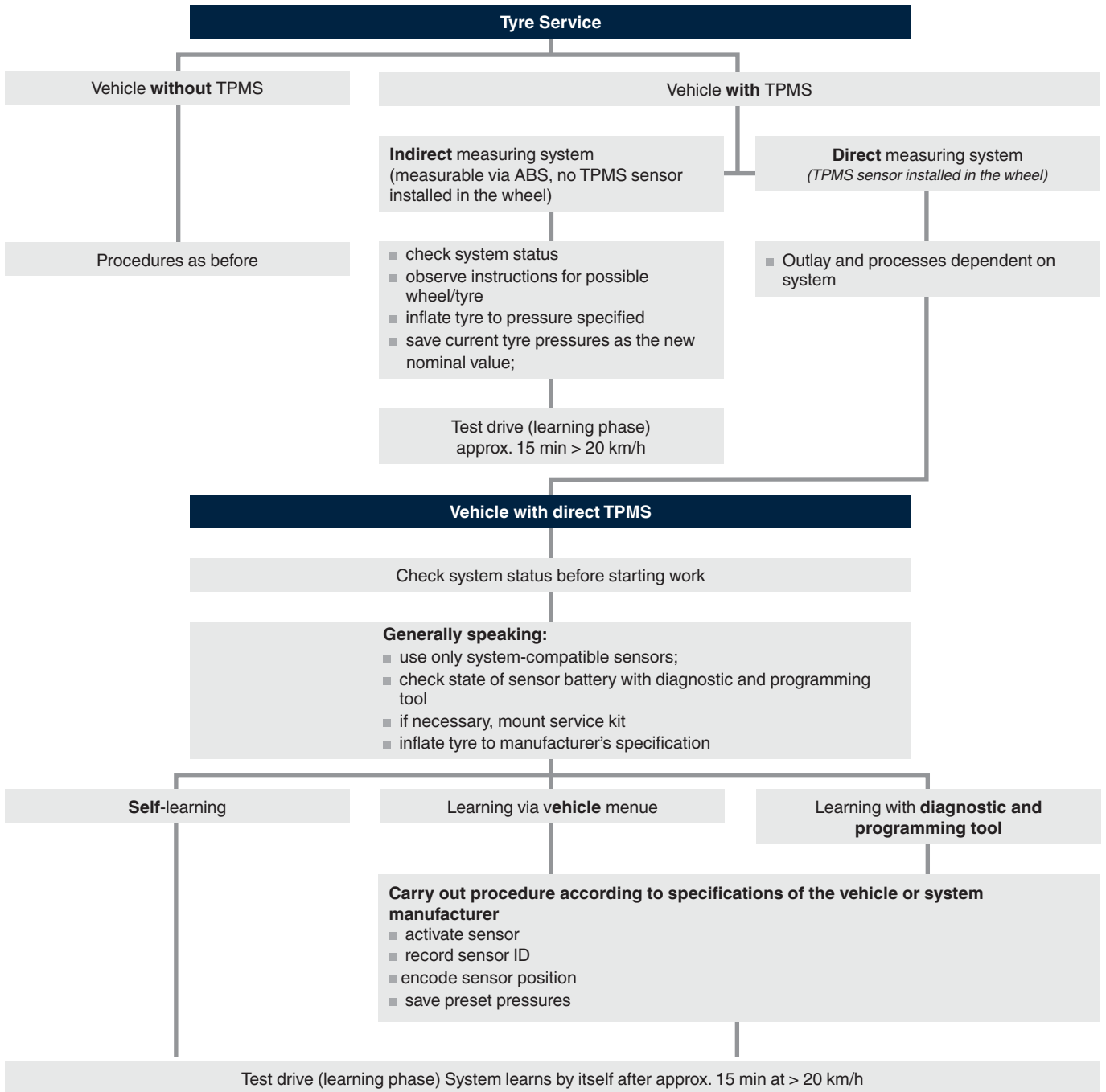
Special tools

In our range you will find special tools for installing tyre pressure monitoring systems. You can either purchase them singly or in one convenient kit. This way you are equipped for all upcoming TPMS jobs.



Service Procedures

Are you uncertain what steps you need to follow on vehicles with tyre pressure monitoring systems in the course of the service procedure? No problem! With the operating procedure below you will be fromle to master tyre servicing in no time.



The advantages of Tyre Pressure Monitoring Systems

Advantages for workshops

- additional income from servicing and repair services
- with programmable sensors you save expensive, unnecessary stock purchases and storage costs. In addition, maintenance and training costs are reduced
- possible acquisition of new customers due to competitive advantage

Advantages to customers

- increases road safety and helps to avoid accidents (e.g.: by optimising braking distance)
- optimum handling of the vehicle due to the correct tyre pressure and thus best possible grip
- lower rolling resistance and therefore tyres last longer due to reduced wear
- optimises fuel consumption



Advantages for manufacturers

- development of a new after-sales business segment
- improved vehicle quality and safety

Environmental Benefits

- optimised fuel consumption ensures low CO2 emissions and thus reduced environmental impact
- less wear ensures more sustainable use of tyres with longer life



TPMS diagnostics and programming device TPM II

Art.-No. 3590 1:

- For diagnosis, programming of RDKS sensors
- Quick and easy to use
- Reads out the pressure, temperature, and battery status in addition to the sensor ID, by radio from the tyre pressure sensor
- Database with torque values, spare part numbers, service kits, and technical data
- It is possible to print reports via bluetooth or USB on the PC
- 3" screen, IP54, 600 g weight

Art.-No. 3590 1 1:

- Software updates for one year (within 3 months after end of licence)
- The licence will then be retrospectively active to the end of licence

Art.-No. 3590 1 3:

- Software updates for one year (from the 3rd month after end of licence)
- The licence will then be active from the month of order

Art.-No. 3590 2:

Additional performance characteristics with OBD version:

- Including OBD kit for read-out of the RDKS controller
- Programming of RDKS controller is possible
- Deletion of saved errors via OBD

Art.-No. 3590 2 1:

- Software updates for one year (within 3 months after end of licence)
- The licence will then be retrospectively active to the end of licence

Art.-No. 3590 2 3:

- Software updates for one year (from the 3rd month after end of licence)
- The licence will then be active from the month of order

Art.-No. 3590 9:

- Bluetooth stick with USB
- For connection of the TPM 2 with the PC

Your Advantage / Benefit

- Specially adapted design for the needs of tyre retailers
- Wireless communication via Bluetooth on PC
- Large database for TPMS sensors
- Programming of universal sensors: Alligator, Schrader, Huf
- Connection via Bluetooth (Art.-No. 3590 9) or USB on PC
- Supported frequencies: 315 Mhz, 433/343 Mhz and 868 Mhz
- Includes 12 months of free updates; after that, available for order with Art.-No. 3590 1 1 or 3590 2 1 (subject to a charge)
- Subsequent expansion to OBD version possible (Art.-No. 3590 1 2)

Application



3590 1



3590 1 2



3590 2

Article No.	Article Description	QTY
3590 1	TPMS TESTER W.BT(TPM II BT)	1
3590 1 1	UPDATE F.TPMS TESTER(TPMIIBT)	1
3590 1 2	EOBD-KIT F.TPMS TESTER(TPMII)	1
3590 1 3	UPDATE F.TPMS TESTER(TPMIIB) 2	1
3590 2	TPMS TEST W.OBD+BT(TPMII PLUS)	1
3590 2 1	UPDATE F.TPMS TEST(TPMII PLUS)	1
3590 2 3	UPDA.F.TPMS TESTER(TPMIIPUS)2	1
3590 9	BLUETOOTH STICK NANO USB 2.0	1



Alligator sens.it programming pad with USB

- Suitable for sens.it sensors RS3 and RS4
- Simply connected via USB to PC/Laptop
- Silicone cover protects it during daily use in workshop

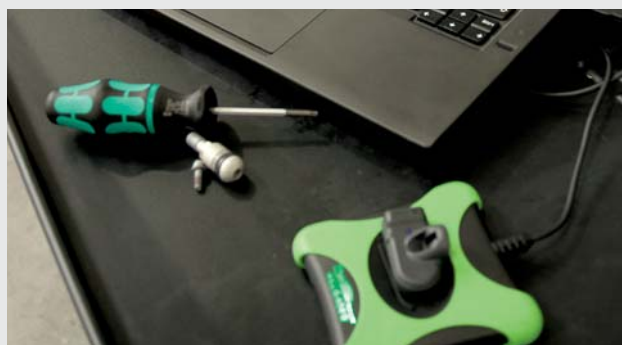


Article No.	Article Description	QTY
3590 3	TPMS PROG.PAD F.SENS.IT-SENSOR	1

Your Advantage / Benefit

- Application software downloadable from www.alligator-sensit.com free of charge
- Free database updates
- Database is about 2 months more up-to-date than competitive products

Application



Alligator sens.it-with metal screw valve

- Sensor RS3, 434 MHz with aluminium valve
- Simple, standardised mounting
- Time savings – learning and test drive unnecessary
- Sensor supplied without valve

Art.-No 3590 3 1:

- Spherical cap system with adjustable angle of 12° – 40°
- Torx head tightening torque: 3.3 Nm
- Weight: 18g

Art.-No 3590 3 1 1 – 4:

- Aluminium alloy
- Additionally anodised against corrosion
- Available in 4 colours to match rims
- Supplied with mounting bolt
- Tightening torque for union nut: 3.3 Nm



3590 3 1



3590 3 1 1
silver



3590 3 1 2
black



3590 3 1 3
titanium grey



3590 3 1 4
chrome

Article No.	Article Description	QTY
3590 3 1	TPMS SENS UNI MSV RS3SENSOR.IT	e 12
3590 3 1 1	TPMS VENT MSV SI RS 3 SENS.IT	e 12
3590 3 1 2	TPMS VENT MSV BL F.RS3 SENS.IT	e 12
3590 3 1 3	TPMS VENT MSV TG F.RS3 SENS.IT	e 12
3590 3 1 4	TPMS VENT MSV CH F.RS3 SENS.IT	e 12

Your Advantage / Benefit

- Market coverage of almost 90% of existing OE sensors (in conjunction with programming pad)
- No re-programming of the vehicle required if sensor ID is available
- Free update of programming software and vehicle model list
- Usable with all current TPMS diagnostic devices

Application



Alligator with sens.it with rubber snap-in valve

- Sensor RS4, 434 MHz with rubber valve
- Replaces factory-fitted TPMS snap-in valves
- For vehicles with maximum permitted Speed <210 km/h
- Time savings – learning and test drive unnecessary
- Sensor supplied without valve

Art.-No 3590 3 2:

- Patented clip-in mechanism for connection to the sensor without tools
- Weight: 16g

Art.-No. 3590 3 2 1:

- Patented clip-in mechanism for connection to the sensor without tools
- TPMS rubber valves are subjected to higher loads - they should be replaced at every tyre change

Your Advantage / Benefit

- Patented valve/sensor connection suitable for almost all types of rims
- Market coverage of almost 90% of the available OE sensors (in conjunction with programming pad)
- No re-programming of the vehicle required if sensor ID is available
- Free update of programming software and vehicle model list
- Usable with all current TPMS diagnostic devices
- Can be installed without special tools

Application



Article No.	Article Description	QTY
3590 3 2	TPMS SENS UNI F.RV RS4SENS.IT	e 12
3590 3 2 1	TPMS VENT RUBBER R.RS4SENS.IT	e 12

Alligator sens.it 17-pcs Starter Kit

- Provides the optimal, cost-effective introduction to the business
- Kit includes: programming pad with USB, 8 sensors (RS3) and 8 valves (SILVER)



Your Advantage / Benefit

- Market coverage of almost 90% of existing OE sensors (in conjunction with programming pad)
- No reprogramming of vehicle necessary if sensor ID is available
- Free update of programming software and vehicle model list
- Free download of application software on www.alligator-sensit.com
- Usable with all current TPMS diagnostic devices

Application



Article No.	Article Description	QTY
3590 33	SENS.IT TPMS STARTER KIT	1

Schrader EZ sensor with metal or rubber valve

- Programmable TPMS usable with nearly all OE-sensors
- 434 MHz
- Reduced purchasing and more convenient storage
- Can be reprogrammed as required
- Sensor supplied with valve ready fitted

Art.-No. 3590 4 1:

- With metal valve
- Adjustable mounting bracket
- Tightening torque for union nut: 8.0 Nm
- Weight: 27 g

Art.-No. 3590 4 2;

- With rubber valve
- Tightening torque TX-Screw: 1.4 Nm
- Weight: 29 g



3590 4 1



3590 4 2

Article No.	Article Description	QTY
3590 4 1	TPMS SENS W.ME VENTIL EZ-SENS	1
3590 4 2	TPMS SENS W.RU VENTIL EZ-SENS	1

(technical changes to sensors reserved)

Your Advantage / Benefit

- Vehicle does not need to be reprogrammed if the sensor ID is available
- Usable with all current TPMS diagnostic devices

Application



HUF IntelliSens Universal Sensor

- RDK-configurable sensor which only needs to be activated
- 434 MHz frequency range
- Identical valves installed as in Huf OE replacement sensors
- For required sensor, see model list

Art.-No. 3590 5 2, 3590 5 3 and 3590 6 1:

- IntelliSens UVS02C4V21 (Art.-No. 3590 5 2)
- IntelliSens UVS09C4V21 (Art.-No. 3590 5 3)
- IntelliSens UVS4020 (Art.-No. 3590 6 1)
- With metal valve
- Spherical cap system with adjustable angle from 0° – 40°
- Tightening torque for retaining nut: 4 Nm
- For applicable vehicles see vehicle model list
- Weight: 34 g

Art.-No. 3590 5 4 and 3590 6 2:

- IntelliSens UVS09S4V21 (Art.-No. 3590 5 4) corresponds to the same protocol type as Art.-No. 3590 5 3
- IntelliSens UVS4021 (Art.-No. 3590 6 2) corresponds to the same protocol type as Art.-No. 3590 6 1
- With rubber valve
- For vehicles with maximum permitted speed <210 km/h
- Weight: 29 g



3590 5 2
3590 5 3
3590 6 1



3590 5 4
3590 6 2

Your Advantage / Benefit

- time saving because protocols already recorded on the sensor
- programming is thus not necessary, only needs activation (with RDKS-Tester 3590 1 / 3590 2)
- usable with all current TPMS diagnostic vehicles

Application



Article No.	Article Description	QTY
3590 5 2	RDK-SENS. W.ALU VALVE IS 02C4	e 20
3590 5 3	RDK-SENS. W.ALU VALVE IS 09C4	1
3590 5 4	RDK-SENS. W.RU VALVE IS 09C4	e 20
3590 6 1	RDK-SENS. W.ALU VALVE IS 4020	1
3590 6 2	RDK-SENS. W.RUBB.VALVE IS4021	1



Art.-No. 3590 3 1

Art.-No. 3590 3 2

Last update of the applications list: July 2016
Changes are subject to alterations by the manufacturer.



3590 3 1



3590 3 2

Manufacturer	Model	Generation	From	To
ALFA ROMEO	4C	4C 960	3/2013	Today
ALFA ROMEO	8C Competizione	8C 920	1/2007	10/2009
ALFA ROMEO	Giulia	Giulia	5/2016	Today
ALFA ROMEO	Mi.To	Mi.To 955	7/2010	Today
ALPINA	B3	B3 E46	3/1999	1/2006
ALPINA	B3 Biturbo	B3 Biturbo E90/E91/E92/E93	12/2005	5/2013
ALPINA	B3 Biturbo	B3 Biturbo F30	3/2013	Today
ALPINA	B5	B5 E60/E61	2/2005	9/2007
ALPINA	B5	B5 F10/F11	9/2010	3/2014
ALPINA	B5 S	B5 S E60/E61	9/2007	5/2010
ALPINA	B6	B6 E63/E64	4/2006	8/2007
ALPINA	B6	B6 F12/F13/F06	4/2014	Today
ALPINA	B6 S	B6 S E63/E64	8/2007	8/2010
ALPINA	B7	B7 E38	12/1995	Today
ALPINA	B7	B7 E65/E66	2/2004	Today
ALPINA	B7	B7 G12	1/2016	Today
ALPINA	B7 Biturbo	B7 Biturbo F01/F02	3/2009	3/2014
ALPINA	XD3 Biturbo	XD3 Biturbo F25	4/2013	3/2014
ASTON MARTIN	V12 Vantage	Vantage	9/2012	12/2013
ASTON MARTIN	V12 Zagato	Zagato	9/2012	Today
ASTON MARTIN	V8 Vantage	AM305	7/2005	6/2014
ASTON MARTIN	V8 Vantage	VH600	1/2014	Today
AUDI	A4	A4 Cabriolet 8E	4/2002	12/2005
AUDI	A4	A4 Cabriolet II 8H	1/2006	3/2009
AUDI	A4	A4 Series 2 FL 8E	11/2004	6/2008
AUDI	A6	A6 Allroad 4B	5/2000	8/2005
AUDI	A6	A6 Allroad 2 4F	5/2006	10/2008
AUDI	A6	A6 Allroad 2 FL 4F	10/2008	8/2011
AUDI	A6	A6 Series 2 FL 4B	6/2001	4/2005
AUDI	A6	A6 Series 3 4F	4/2004	9/2008
AUDI	A6	A6 Series 3 FL 4F	10/2008	8/2011
AUDI	A6	A6 Series 4 phase 1 4G	11/2010	4/2015
AUDI	A8	A8 Series 1 FL 4D	10/1998	9/2002
AUDI	A8	A8 Series 2 4E	11/2002	10/2007
AUDI	A8	A8 Series 2 FL 4E	9/2007	Today
AUDI	A8	A8 Series 3 4H	11/2009	4/2014
AUDI	Q7	Q7 4L	3/2006	8/2015
AUDI	Q7	Q7 II 4M	1/2015	Today
AUDI	R8	R8	4/2007	Today
AUDI	RS4	RS4 Quattro 8E	11/2005	6/2008
AUDI	RS4	RS4 Quattro Cabriolet 8H	5/2006	10/2008
AUDI	RS6	RS6 (4B) 4B	7/2002	9/2004
AUDI	RS6	RS6 (4F) 4F	4/2008	8/2010
AUDI	RS6	RS6 (4G) 4G	1/2013	12/2014
AUDI	RS7	RS7	1/2013	Today
AUDI	S4	S4 Series 2 8E	3/2003	12/2004
AUDI	S4	S4 Series 2 FL 8E	11/2004	6/2008
AUDI	S6	S6 Series 2 FL 4B	6/2001	1/2005
AUDI	S6	S6 Series 3 4F	6/2006	9/2008
AUDI	S6	S6 Series 3 FL 4F	10/2008	8/2011
AUDI	S8	S8 Series 1 FL 4D	5/1999	9/2002
AUDI	S8	S8 Series 2 4E	6/2006	7/2010
AUDI	S8	S8 Series 3 4H	4/2012	Today
BENTLEY	Arnage	Arnage	1/2008	10/2009
BENTLEY	Azure	Azure 835	6/2006	Today
BENTLEY	Bentayga	Bentayga	12/2015	Today
BENTLEY	Brookland	Brookland	1/2008	Today
BENTLEY	Continental Flying Spur	Continental Flying Spur 611	4/2005	Today
BENTLEY	Continental GT	Continental GT 614	9/2003	Today
BENTLEY	Mulsanne	Mulsanne	1/2001	Today
BMW	1 series	Series 1	9/2010	11/2011
BMW	1 series	Series 1 (F20/F21) F20	7/2011	Today
BMW	1 series M Coupe	Series 1M Coupe	3/2014	Today
BMW	2 series	Series 2 (F22-F23) F22	9/2013	Today
BMW	2 series	Series 2 Active Tourer (F45) F45	9/2014	Today
BMW	2 series	Series 2 Cabrio (F23) F23	9/2014	Today
BMW	2 series	Series 2 Gran Tourer (F46)	3/2015	Today

Manufacturer	Model	Generation	From	To
BMW	3 series	Series 3 (E46) E46	3/1998	9/2003
BMW	3 series	Series 3 (F30/F31) F30	11/2011	Today
BMW	3 series	Series 3 FL (E90/E91/E92/E93) E90	7/2007	2/2014
BMW	3 series	Series 3 Gran Turismo (F34) F34	3/2013	Today
BMW	4 series	Series 4 (F32/F33) F32	7/2013	Today
BMW	4 series	Series 4 Gran Coupe (F36) F36	3/2014	Today
BMW	5 series	Series 5 (E39) E39	9/1995	4/2004s
BMW	5 series	Series 5 (E60/E61) E60/E61	7/2003	4/2010
BMW	5 series	Series 5 (F10/F11/F18) F10/F11/F18	1/2009	Today
BMW	5 series	Series 5 Gran Turismo (F07) F07	10/2009	Today
BMW	6 series	Series 6 (E63/E64) E63/E64	10/2003	7/2010
BMW	6 series	Series 6 (F06) Gran Coupe F06	3/2012	4/2015
BMW	6 series	Series 6 (F12/F13) F12/F13	2/2011	3/2014
BMW	7 series	Series 7 (E38) E38	6/1994	8/200s
BMW	7 series	Series 7 (E66) E66	9/2005	10/2008
BMW	7 series	Series 7 (E66) E66	3/2002	4/2003
BMW	7 series	Series7 (E66) E66	9/2003	2/2005
BMW	7 series	Series 7 (F01/F02/F03/F04) F01	11/2008	10/2015
BMW	7 series	Series 7 (G11/G12) G11/G12	9/2015	Today
BMW	i3	i3 (I01) I01	9/2013	Today
BMW	i8	i8 (I12) I12	3/2014	Today
BMW	M2	M2	1/2015	Today
BMW	M3	M3 (F80) F80	3/2014	12/2015
BMW	M4	M4 (F82 F83) F82	3/2014	Today
BMW	M5	M5 (F10) F10M	9/2011	3/2016
BMW	M6	M6 FL (F06/F12/F13) M6 FL F06-12-13	3/2015	Today
BMW	X1	X1 (E84) E84	10/2009	8/2015
BMW	X1	X1 (F48) F48	9/2015	Today
BMW	X3	X3 (E83) E83	10/2003	7/2006
BMW	X3	X3 (F25) F25	3/2014	Today
BMW	X3	X3 FL (E83) E83	8/2006	9/2010
BMW	X3	X3 SAV (F25) F25	9/2010	3/2014
BMW	X4	X4 (F26) F26	4/2014	Today
BMW	X5	X5 (E53) E53	1/2000	4/2004
BMW	X5	X5 (E70) E70	12/2006	3/2010
BMW	X5	X5 (F15) F15	8/2013	Today
BMW	X5	X5 FL (E70) E70	3/2010	6/2013
BMW	X5	X5 M (E70M) 70ME	3/2010	6/2013
BMW	X5	X5 M (F85M) F85M	3/2014	Today
BMW	X6	X6 (E71/E72) E71	3/2010	7/2014
BMW	X6	X6 (F16) F16	8/2014	Today
BMW	X6	X6 M	3/2014	Today
BMW	Z4	Z4 (E85/E86) E8586	9/2002	3/2009
BMW	Z4	Z4 (E89) E89	3/2009	Today
BUICK	Park Avenue	Park Avenue	1/1997	6/2004
CADILLAC	CT6	CT6	9/2016	Today
CADILLAC	CTS	CTS II	9/2007	Today
CADILLAC	Escalade	Escalade GMT926	12/2005	12/2013
CADILLAC	Escalade	Escalade K2UL	1/2014	Today
CADILLAC	SRX	SRX	6/2005	8/2010
CADILLAC	SRX	SRX II	9/2010	12/2011
CADILLAC	SRX	SRX II	9/2012	Today
CADILLAC	XT5	XT5	7/2016	Today
CADILLAC	XTS	XTS P1LL	5/2012	Today
CHEVROLET	Aveo	G1JC	11/2010	Today
CHEVROLET	Aveo	G1SC T250	3/2014	Today
CHEVROLET	Camaro	Camaro V	4/2009	3/2016
CHEVROLET	Camaro	Camaro VI	4/2016	Today
CHEVROLET	Captiva	Captiva (C-140) C-140	2/2011	Today
CHEVROLET	Cobalt	G1LC	2/2013	Today
CHEVROLET	Cruze	Cruze J305 J300 J308	5/2009	Today
CHEVROLET	Express	GMT610	7/2002	Today
CHEVROLET	Malibu	Malibu GMX	1/2015	Today
CHEVROLET	Malibu	Malibu (V300) V300	7/2012	12/2014
CHEVROLET	Matiz	Matiz M100	6/2014	Today
CHEVROLET	Matiz	Matiz M200	3/2014	Today
CHEVROLET	Niva	Niva 2123	6/2014	Today
CHEVROLET	Orlando	J309	9/2010	Today
CHEVROLET	Orlando	Orlando D1NC	6/2014	Today
CHEVROLET	Silverado	Silverado K2XC	6/2014	Today
CHEVROLET	Spark	M1JC	7/2009	Today
CHEVROLET	Suburban	GMT931	3/2006	7/2008
CHEVROLET	Tracker	Tracker G1UC	1/2014	Today
CHEVROLET	Trax	Trax J-REJ	4/2013	Today
CHEVROLET	Volt	Volt	11/2011	Today
CHRYSLER	300C	300C FL	9/2007	Today
CHRYSLER	Crossfire	Crossfire	7/2003	1/2009
CHRYSLER	Grand Voyager	Grand Voyager RT	2/2008	Today
CITROEN	Berlingo	Berlingo (B9) B9	5/2008	Today

Manufacturer	Model	Generation	From	To
CITROEN	Berlingo	Berlingo (M59) M59	12/2002	5/2008
CITROEN	Berlingo	Berlingo (M59) M59	10/2010	2/2012
CITROEN	Berlingo	Berlingo FL (B9) B9	4/2015	Today
CITROEN	C4	C4 B5	11/2004	1/2011
CITROEN	C4	C4 (B7) B7	9/2010	Today
CITROEN	C4 Aircross	C4 Aircross J4	3/2012	Today
CITROEN	C4 Picasso	C4 Picasso B58	9/2006	5/2013
CITROEN	C5	C5 (X7) X7	3/2008	Today
CITROEN	C5	C5 FL X3	9/2004	6/2008
CITROEN	C6	C6 X6	12/2005	1/2011
CITROEN	C8	C8	6/2002	Today
CITROEN	C-Elysee	C-Elysee M3/M4	10/2012	Today
CITROEN	C-ZERO	C-ZERO	10/2010	Today
CITROEN	DS4	DS4 B75	4/2011	Today
CITROEN	DS5	DS5 B81	10/2011	Today
CITROEN	Jumper	Jumper X2/50	1/2006	11/2013
CITROEN	Jumpy	Jumpy III G9	1/2007	Today
CITROEN	Nemo	Nemo 225	10/2007	Today
DACIA	Dokker	Dokker	9/2012	Today
DACIA	Dokker Van	Dokker Van F67	11/2014	Today
DACIA	Duster	Duster Phase 2 X79	10/2013	Today
DACIA	Lodgy	Lodgy J92	4/2012	Today
DACIA	Logan	Logan 2 X52	1/2013	Today
DACIA	Sandero	Sandero 2 B52	10/2012	Today
DAEWOO	Gentra	Gentra J200	8/2013	Today
DAEWOO	Nexia	Nexia T	3/2014	Today
DODGE	Challenger	Challenger	2/2010	Today
DODGE	Nitro	Nitro KA	6/2007	5/2011
DODGE	RAM	RAM	1/2014	Today
DODGE	Viper	Viper	8/2013	6/2015
FERRARI	458 Italia	458 Italia F142	1/2009	12/2013
FERRARI	550 Maranello Evoluzione	550 Maranello Evoluzione F133e	3/2002	Today
FERRARI	575 M-Maranello	575 M-Maranello	1/2002	12/2006
FERRARI	599 GTB	599 GTB F141	3/2004	12/2012
FERRARI	612 Scaglietti	612 Scaglietti F137	3/2004	12/2011
FERRARI	California	California F149	1/2009	12/2013
FERRARI	Enzo	Enzo F140	1/2003	12/2004
FERRARI	F430	F430 F131e	9/2005	6/2007
FERRARI	F430	F430 F131evo	7/2007	12/2013
FERRARI	F430 Spider	F430 Spider F131e	9/2005	6/2007
FERRARI	F430 Spider	F430 Spider F131evo	7/2005	12/2013
FERRARI	FXX	FXX	7/2005	12/2006
FIAT	500	500L 199	10/2012	Today
FIAT	Doblo	Doblo III FL (263) 263	11/2014	Today
FIAT	Ducato	Ducato II (250) 250	6/2014	Today
FIAT	Ducato	Ducato II Maxi (250) 250	6/2014	Today
FIAT	Freemont	Freemont 345	6/2011	Today
FIAT	Scudo	Scudo II G9	1/2007	Today
FIAT	Ulysse	Ulysse II	9/2002	7/2010
FORD	B-Max	B-Max CB2	8/2012	Today
FORD	C-Max	C-Max II (CB7) C344	8/2010	3/2015
FORD	C-Max	C-Max II FL (CEU)	4/2015	Today
FORD	Ecosport	Ecosport	8/2013	Today
FORD	Edge	Edge	1/2016	Today
FORD	Fiesta	Fiesta VI FL CCN	11/2012	Today
FORD	Focus	Focus III CB08	3/2011	Today
FORD	Focus	Focus III Electric CB08	6/2013	Today
FORD	Focus RS	Focus RS	3/2015	Today
FORD	Focus ST	Focus ST	6/2012	Today
FORD	Galaxy	Galaxy II (CA1) CA1	4/2006	4/2015
FORD	Galaxy	Galaxy III CDR	5/2015	Today
FORD	Ka+	Ka+	6/2016	Today
FORD	Kuga	Kuga II CBS	11/2012	Today
FORD	Mondeo	Mondeo IV (CA2) CA2	6/2007	9/2010
FORD	Mondeo	Mondeo IV FL (CA2) CA2	9/2010	Today
FORD	Mondeo	Mondeo V CD391	12/2014	12/2019
FORD	Mustang	Mustang VI	5/2014	Today
FORD	Ranger	Ranger	9/2015	Today
FORD	S-Max	S-Max	4/2006	6/2010
FORD	S-Max	S-Max FL	3/2010	3/2015
FORD	S-Max	S-Max II	4/2015	Today
FORD	Tourneo	Tourneo Connect	9/2013	Today
FORD	Tourneo	Tourneo Courier	2/2014	Today
FORD	Tourneo	Tourneo Custom	9/2013	Today
FORD	Transit	Transit Connect	9/2013	Today
FORD	Transit	Transit Courier	2/2014	Today
FORD	Transit	Transit Custom	9/2013	Today
GMC	Sierra	Sierra GMT902	10/2006	5/2009
GMC	Sierra	Sierra K2XG	4/2013	Today

Vehicle products



Manufacturer	Model	Generation	From	To
GMC	Yukon	Yukon GMT922	12/2005	12/2013
GMC	Yukon	Yukon K2UG	3/2014	Today
HUMMER	H2	H2	1/2002	12/2008
HUMMER	H3	H3 GMT345	3/2005	1/2012
HYUNDAI	Elantra	Elantra	2/2012	Today
HYUNDAI	Equus	Equus	3/2014	Today
HYUNDAI	Genesis	Genesis	1/2014	Today
HYUNDAI	Grand Santa Fe	Grand Santa Fe	6/2013	Today
HYUNDAI	i10	i10 IA	10/2007	10/2013
HYUNDAI	i10	i10(TUR-EUR) BA	10/2013	Today
HYUNDAI	i20	i20	10/2008	3/2012
HYUNDAI	i20	i20 (TUR-EU)	4/2010	4/2012
HYUNDAI	i20	i20 FL	3/2012	Today
HYUNDAI	i20	i20 II	11/2014	Today
HYUNDAI	i30	i30	3/2007	7/2012
HYUNDAI	i30	i30 (CZE)	11/2008	7/2012
HYUNDAI	i30	i30 II (CZE) GD	1/2012	Today
HYUNDAI	i40	i40	6/2011	Today
HYUNDAI	i40	i40 FL VF	4/2015	Today
HYUNDAI	ix20	ix20	10/2010	Today
HYUNDAI	ix35	ix35 (CZE)	1/2010	9/2015
HYUNDAI	ix35	ix35 (KOR)	1/2010	8/2013
HYUNDAI	ix55	ix55	3/2014	Today
HYUNDAI	ix55 / Veracruz	ix55	9/2008	3/2014
HYUNDAI	Santa Fe	Santa Fe 2 - Restyle	9/2009	6/2012
HYUNDAI	Santa Fe	Santa Fe 3	6/2012	Today
HYUNDAI	Solaris	Solaris	1/2009	Today
HYUNDAI	Tucson	Tucson FL	9/2006	10/2010
HYUNDAI	Tucson	Tucson III TL	7/2015	Today
HYUNDAI	Veloster	Veloster (SB) SB	4/2011	Today
INFINITI	G37/G35	G35(V36) V36	12/2006	12/2008
INFINITI	G37/G35	G37(V36) V36	6/2008	5/2014
INFINITI	Q70/M	M(Y51) Y51-Y51HV	3/2010	3/2013
INFINITI	QX50/EX	EX(J50) J50	4/2008	Today
INFINITI	QX70/FX	FX(S51) S51	7/2008	Today
JAGUAR	F Type	F Type	10/2012	12/2015
JAGUAR	XF	XF X250	11/2007	11/2015
JAGUAR	XJ	XJ	10/2002	12/2009
JAGUAR	XJ	XJ X351	1/2010	7/2015
JAGUAR	XK	XK Phase I X150	9/2005	Today
JAGUAR	XK	XKR Phase I X150	3/2006	2/2011
JAGUAR	XK	XKR Phase II X150	3/2011	10/2012
JEEP	Cherokee	Cherokee	1/2014	Today
JEEP	Commander	Commander	3/2006	4/2010
JEEP	Grand Cherokee	Grand Cherokee	3/2008	3/2011
JEEP	Grand Cherokee	Grand Cherokee WK	9/2010	7/2016
JEEP	Renegade	Renegade	7/2014	Today
JEEP	Wrangler-CJ	Wrangler JK	9/2006	Today
KIA	Carens	Carens IV *	3/2013	Today
KIA	Ceed	Ceed	8/2006	11/2009
KIA	Ceed	Ceed FL	8/2009	7/2012
KIA	Ceed	Ceed II *	5/2012	Today
KIA	Optima	Optima *	12/2015	Today
KIA	Optima	Optima * TF, TFE	8/2013	11/2015
KIA	Optima Hybrid	Optima Hybrid * TF, TFE	3/2014	11/2015
KIA	Picanto	Picanto TA TA	5/2011	Today
KIA	Picanto	Picanto TA FL TA	2/2015	Today
KIA	Quoris	Quoris K9	5/2012	Today
KIA	Rio	Rio III (IH) * IH	6/2011	Today
KIA	Sorento	Sorento II FL *	10/2012	Today
KIA	Sorento	Sorento III C5	1/2015	Today
KIA	Soul	Soul II	12/2013	Today
KIA	Soul EV	Soul II EV	12/2013	Today
KIA	Sportage	Sportage (SVK) SLZ	6/2010	3/2014
KIA	Sportage	Sportage FL SL / SLS	3/2014	12/2015
KIA	Venga	Venga YN	12/2009	12/2014
KIA	Venga	Venga FL YN	1/2015	Today
KIA	ZZZcomment		1/1900	1/1900
KIA2	ZZZcomment		1/1900	1/1900
LAMBORGHINI	Aventador	Aventador	5/2011	Today
LAMBORGHINI	Gallardo	Gallardo	6/2013	Today
LAMBORGHINI	Huracan	Huracan	3/2014	Today
LAMBORGHINI	Murcielago	Murcielago	4/2006	Today
LAMBORGHINI	Reventon	Reventon	9/2007	3/2009
LANCIA	Flavia	Flavia	5/2012	Today
LANCIA	Thema	Thema	10/2011	12/2014
LANCIA	Voyager	Voyager	10/2011	Today
LAND ROVER	Discovery	Discovery III LR3	11/2004	6/2009
LAND ROVER	Freelander	Freelander 2	2/2006	10/2015

Manufacturer	Model	Generation	From	To
LAND ROVER	Range Rover	Range Rover L322	6/2010	10/2015
LAND ROVER	Range Rover	Range Rover Sport	6/2005	10/2015
LEXUS	CT 200h	CT 200h	6/2014	Today
LEXUS	ES	ES 980L	6/2014	Today
LEXUS	GS 300	GS 300 GRS190	1/2005	9/2007
LEXUS	GS 300	GS 300 FL GRS190	9/2007	12/2011
LEXUS	GS 300h	GS 300h	6/2014	Today
LEXUS	GS 350	GS 350 (GRS) GRS	7/2009	12/2011
LEXUS	GS 450	GS 450 (GWS) GWS	2/2006	9/2007
LEXUS	GS 450	GS 450 FL (GWS) GWS	9/2007	12/2011
LEXUS	GS 450h	GS 450h	6/2014	Today
LEXUS	GS 460	GS 460 UZS190	9/2007	12/2011
LEXUS	GS F	GS F	1/2016	Today
LEXUS	GX 460	GX 460 URJ15	11/2009	8/2013
LEXUS	GX 460	GX 460 FL URJ15	8/2013	Today
LEXUS	IS 300	IS 300H	4/2013	Today
LEXUS	LS 460	LS 460 USF4	8/2006	Today
LEXUS	LS 600	LS 600H/HL UVF4	4/2007	Today
LEXUS	LX 570	LX 570 URJ201	11/2007	1/2012
LEXUS	LX 570	LX 570 FL URJ201	1/2012	Today
LEXUS	NX	NX AYZ1	7/2014	Today
LEXUS	RC	RC 720A	1/2014	Today
LEXUS	RX350/450H	RX 350/450H FL GGL/GYL	3/2012	Today
LEXUS	SC 430	SC430 UZZ40	8/2005	7/2010
LOTUS	Elise	Elise Monza	1/2008	12/2014
LOTUS	Evora S	Evora S Eagle	1/2010	12/2014
LOTUS	Exige S	Exige S Monza	1/2008	12/2014
MASERATI	Alfieri	Alfieri M165	1/2016	Today
MASERATI	Coupe	Coupe M145	4/2004	12/2013
MASERATI	Ghibli	Ghibli M157	11/2013	Today
MASERATI	GranCabrio	GranCabrio M147	9/2009	Today
MASERATI	GranTurismo	GranTurismo M145	1/2014	Today
MASERATI	GT Coupe	GT Coupe M145	1/2014	Today
MASERATI	Levante	Levante M161	4/2015	Today
MASERATI	Quattroporte	Quattroporte V M139	4/2004	12/2012
MASERATI	Quattroporte	Quattroporte VI M156	1/2013	Today
MAYBACH	Maybach	Maybach	9/2002	Today
MAZDA	CX-5	CX-5, CX-5 FL	11/2011	Today
MAZDA	CX-7	CX-7 EH	5/2007	9/2009
MAZDA	CX-7	CX-7 FL EH	6/2009	Today
MAZDA	CX-9	CX-9	8/2010	Today
MAZDA	Mazda 2	Mazda 2 II FL DE-DH	5/2014	Today
MAZDA	Mazda 3	Mazda 3 II BL	12/2008	10/2011
MAZDA	Mazda 3	Mazda 3 II FL BL	11/2011	3/2013
MAZDA	Mazda 5	Mazda 5 II CW	6/2010	Today
MAZDA	Mazda 6	Mazda 6 II GH	8/2007	Today
MAZDA	Mazda 6	Mazda 6 II FL GH	11/2009	12/2012
MAZDA	MX5	MX5	3/2010	Today
McLAREN	MP4-12C	MP4 P11	4/2011	Today
McLAREN	P1	P1 P12	1/2013	Today
MERCEDES	AMG GT	AMG GT 190	10/2014	Today
MERCEDES	Citan	Citan (415) 415	10/2012	Today
MERCEDES	Class A	Class A (W176) 176	9/2012	6/2015
MERCEDES	Class A	Class A FL (W176) 176	7/2015	Today
MERCEDES	Class B	Class B (W246) 246	9/2011	9/2014
MERCEDES	Class B	Class B FL (W246) 246	9/2014	Today
MERCEDES	Class C	Class C (204) 204	1/2007	2/2011
MERCEDES	Class C	Class C (204) FL 204	3/2011	Today
MERCEDES	Class C	Class C (205) 205	3/2014	Today
MERCEDES	Class CL	Coupe CL(216) * 216	5/2006	Today
MERCEDES	Class CLA	Class CLA(117) 117	2/2013	Today
MERCEDES	Class CLK	Class CLK (209) 208	3/2002	6/2009
MERCEDES	Class CLS	Class CLS (218) 218	9/2010	Today
MERCEDES	Class CLS	Class CLS (219) 219	7/2004	1/2008
MERCEDES	Class CLS	Class CLS FL (219) 219	2/2008	1/2011
MERCEDES	Class E	Class E (207-212) 207-212	3/2009	4/2013
MERCEDES	Class E	Class E (211) 211	3/2002	3/2006
MERCEDES	Class E	Class E (213) 213	1/2016	Today
MERCEDES	Class E	Class E FL (207-212) 207-212	2/2013	11/2015
MERCEDES	Class E	Class E FL (211) 211	4/2006	11/2009
MERCEDES	Class G	Class G (M461/3) 461	4/1998	Today
MERCEDES	Class GL	Class GL (164) 164	1/2006	3/2013
MERCEDES	Class GL	Class GL (166) 166	11/2012	Today
MERCEDES	Class GLA	Class GLA(156) 156	11/2013	Today
MERCEDES	Class G LC	Class GLC	7/2015	Today
MERCEDES	Class GLE	Class GLE Coupe (S292) 292	3/2015	Today
MERCEDES	Class GLE	Class GLE SUV (W166) 166	4/2015	Today
MERCEDES	Class GLK	Class GLK X204	7/2008	6/2012
MERCEDES	Class GLK	Class GLK (204) FL X204	6/2012	Today

Manufacturer	Model	Generation	From	To
MERCEDES	Class GLS	Class GLS 166(S)	1/2016	Today
MERCEDES	Class ML	Class ML (164) 164	5/2005	4/2008
MERCEDES	Class ML	Class ML (166) 166	7/2011	Today
MERCEDES	Class ML	Class ML FL (164) 164	4/2008	9/2010
MERCEDES	Class R	Class R (W251) 251	10/2005	Today
MERCEDES	Class S	Class S (217-222) 217-222	7/2013	Today
MERCEDES	Class S	Class S (221) 221	10/2004	6/2009
MERCEDES	Class S	Class S FL (221) 221	6/2009	6/2013
MERCEDES	Class S Maybach	Class S Maybach X222	12/2014	Today
MERCEDES	Class SL	Class SL (230) 230	8/2001	1/2008
MERCEDES	Class SL	Class SL (231) 231	3/2012	Today
MERCEDES	Class SL	Class SL FL (230) 230	2/2008	2/2012
MERCEDES	Class SLC	Class SLC (172) 172	1/2016	Today
MERCEDES	Class SLK	Class SLK (171) 171	1/2004	12/2007
MERCEDES	Class SLK	Class SLK (172) 172	1/2011	1/2016
MERCEDES	Class SLK	Class SLK FL (171) 171	1/2008	1/2011
MERCEDES	Class SLS	SLS 197	1/2010	Today
MERCEDES	Class V	ClassV (447) W447	3/2014	Today
MERCEDES	Sprinter	Sprinter II 906	2/2006	Today
MERCEDES	Viano	Viano 639	1/2003	9/2010
MERCEDES	Viano	Viano FL (639) 639	7/2010	12/2014
MERCEDES	Vito	Vito	7/2014	Today
MERCEDES	Vito	Vito 639	1/2003	9/2010
MERCEDES	ZZZcomment		1/1900	1/1900
MINI	MINI	MINI 2 (R56/R57) R56/57	11/2006	8/2010
MINI	MINI	MINI 2 FL (R56/R57) R56/R57 FL	3/2009	Today
MINI	MINI	MINI 3 (F55/F56/F57) F55-F56	1/2014	Today
MINI	MINI	MINI Clubman (F54)	7/2015	Today
MINI	MINI	MINI Clubman (R55) R55	8/2007	7/2010
MINI	MINI	MINI Countryman (R60) R60	8/2010	Today
MINI	MINI	MINI Coupe (R58) R58	9/2011	5/2015
MINI	MINI	MINI FL Clubman/Clubvan (R55) R55 FL	3/2009	6/2015
MINI	MINI	MINI Paceman (R61) R61	11/2012	2/2014
MINI	MINI	MINI Paceman (R61) R61	7/2014	Today
MINI	MINI	MINI Roadster (R59) R59	3/2012	4/2015
MITSUTOHI	ASX	ASX FL GA_W	7/2012	Today
MITSUTOHI	i-Miev	i-Miev TQ	6/2014	Today
MITSUTOHI	L200	L200 III (KK/KL)	4/2015	Today
MITSUTOHI	Lancer	Lancer IX (CY)	3/2007	Today
MITSUTOHI	Lancer	Lancer Sportback (CX) CX_A	7/2008	Today
MITSUTOHI	Outlander	Outlander 3 (GF/GG) GF_W	4/2012	Today
MITSUTOHI	Pajero	Pajero 4	9/2006	Today
MITSUTOHI	Space Star	Space Star(A00)	2/2013	Today
NISSAN	GT-R	GT-R R35	10/2008	Today
NISSAN	Juke	Juke FL2 F15E	5/2014	Today
NISSAN	Leaf	Leaf(ZE0E) ZE0E	2/2013	Today
NISSAN	Micra	Micra mk4 FL (K13K) (IND) K13K	6/2013	Today
NISSAN	Murano	Murano II (Z51) Z51	6/2008	Today
NISSAN	Note	Note II(E12E) E12E	8/2013	Today
NISSAN	NV200	NV200 (ESP) M20M	11/2009	Today
NISSAN	Primera	Primera 2 (P12/W12) P12W12	2/2001	12/2006
NISSAN	Pulsar	Pulsar (C13M) C13M	8/2014	Today
NISSAN	Qashqai	Qashqai (J11E) J11E	12/2013	Today
NISSAN	X-Trail	X-Trail (T32) (JPN) T32	4/2014	Today
NISSAN	Z	370Z Z34	4/2009	Today
OPEL	Adam	Adam M13	1/2013	Today
OPEL	Adam 1.4 Turbo ecoFLEX	Adam 1.4 Turbo 16V ecoFLEX M13	11/2014	Today
OPEL	Ampera	Ampera R12	6/2011	Today
OPEL	Antara	Antara L07	10/2006	Today
OPEL	Astra	Astra H A04	3/2004	11/2011
OPEL	Astra	Astra J P10	9/2009	6/2015
OPEL	Astra	Astra J FL P10	6/2014	6/2015
OPEL	Astra	Astra K	7/2015	Today
OPEL	Cascada	Cascada	3/2013	5/2014
OPEL	Cascada	Cascada W13	3/2013	Today
OPEL	Combo	Combo	10/2011	Today
OPEL	Corsa	Corsa D D	6/2014	10/2014
OPEL	Corsa	Corsa E X15	9/2014	Today
OPEL	Insignia	Insignia G09	1/2009	7/2013
OPEL	Insignia	Insignia FL G09	7/2013	Today
OPEL	Karl	Karl M2JO	1/2015	Today
OPEL	Meriva	Meriva	8/2014	Today
OPEL	Meriva	Meriva B S10	5/2010	10/2013
OPEL	Meriva	Meriva B FL Z75	11/2013	Today
OPEL	Mokka	Mokka B76	12/2012	9/2016
OPEL	Mokka X	Mokka X	9/2016	Today
OPEL	Movano	Movano B X62	5/2010	5/2015
OPEL	Signum	Signum FL Z03	10/2005	11/2008
OPEL	Vectra	Vectra C FL Z02	10/2005	2/2009

Vehicle products



Manufacturer	Model	Generation	From	To
OPEL	Vivaro	Vivaro B X60	7/2014	Today
OPEL	Zafira	Zafira	6/2014	Today
OPEL	Zafira	Zafira B A05	7/2005	7/2008
OPEL	Zafira	Zafira B FL A05	7/2008	12/2011
OPEL	Zafira	Zafira C P12	10/2011	5/2014
PEUGEOT	1007	1007 A08	4/2005	7/2010
PEUGEOT	207	207 A7	3/2006	Today
PEUGEOT	3008	3008	3/2009	9/2013
PEUGEOT	3008	3008 M	10/2016	Today
PEUGEOT	3008	3008 FL HU	9/2013	Today
PEUGEOT	301	301 M4/M4	10/2012	12/2019
PEUGEOT	307	307 Restyling T6	6/2005	3/2009
PEUGEOT	308	308	9/2007	3/2015
PEUGEOT	308	308 T7	9/2013	1/2015
PEUGEOT	4008	4008 J3	3/2012	Today
PEUGEOT	407	407 D2	4/2004	8/2011
PEUGEOT	408	408 T73	6/2014	Today
PEUGEOT	5008	5008 T87	9/2009	5/2014
PEUGEOT	5008	5008 FL T87	9/2013	Today
PEUGEOT	508	508 W2	1/2011	6/2017
PEUGEOT	508	508 FL	8/2014	Today
PEUGEOT	508 FL	508 FL W2	9/2010	Today
PEUGEOT	508 RXH	508 RXH W24	9/2013	Today
PEUGEOT	607	607 FL	10/2004	1/2011
PEUGEOT	807	807	6/2002	Today
PEUGEOT	Expert	Expert III G9	1/2007	Today
PEUGEOT	ION	ION	10/2010	Today
PEUGEOT	Partner	Partner (B9) B9	5/2008	Today
PEUGEOT	Partner	Partner FL (B9)	4/2015	Today
PEUGEOT	Partner Tepee	Partner Tepee B9	6/2014	Today
PEUGEOT	Partner Van	Partner Van B9	6/2014	Today
PEUGEOT	RCZ	RCZ	5/2010	Today
PORSCHE	911	911 Carrera (991) 991	12/2011	Today
PORSCHE	911	911 Carrera (997-1) 997-1	7/2004	6/2008
PORSCHE	911	911 Turbo (997T2) 997T2	9/2009	6/2013
PORSCHE	911	911 Turbo/GT2 (997T) 997T	2/2006	12/2009
PORSCHE	918 Spyder	918 Spyder 918ZZ	9/2013	Today
PORSCHE	Boxster	Boxster 718	5/2016	Today
PORSCHE	Boxster	Boxster 981 981	1/2012	4/2016
PORSCHE	Boxster	Boxster 987-1 987	11/2004	4/2009
PORSCHE	Cayenne	Cayenne 92A 92A	2/2010	7/2014
PORSCHE	Cayenne	Cayenne 92A 92A	10/2014	Today
PORSCHE	Cayenne	Cayenne 9PA 9PA	3/2003	12/2006
PORSCHE	Cayenne	Cayenne 9PA1 9PA1	12/2006	2/2010
PORSCHE	Cayman	Cayman 981 981C	3/2013	Today
PORSCHE	Cayman	Cayman 987C 987C	11/2005	11/2008
PORSCHE	GT3	GT3	5/2009	Today
PORSCHE	Macan	Macan PO416	2/2014	Today
PORSCHE	Panamera	Panamera 970 970	2/2009	6/2013
PORSCHE	Panamera	Panamera FL 970 970	6/2013	Today
RENAULT	Captur	Captur X87	4/2013	Today
RENAULT	Clio	Clio IV X98	10/2012	Today
RENAULT	Duster	Duster X79	3/2010	6/2015
RENAULT	Duster	Duster Phase 2 X79	6/2015	Today
RENAULT	Espace	Espace IV W81	9/2002	2/2006
RENAULT	Espace	Espace IV Phase 2 W81	3/2006	12/2010
RENAULT	Espace	Espace IV Phase 3 W81	9/2010	7/2012
RENAULT	Espace	Espace IV Phase 4 W81	7/2012	2/2015
RENAULT	Fluence/Megane Generation	Fluence FL * X95	1/2013	Today
RENAULT	Fluence/Megane Generation	Fluence/Megane Generation * X95	11/2009	Today
RENAULT	Kangoo	Kangoo X61	10/2007	3/2013
RENAULT	Kangoo	Kangoo II FL X61	4/2013	Today
RENAULT	Koleos	Koleos (X45) X45	6/2008	9/2011
RENAULT	Koleos	Koleos FL (X45) X45	9/2011	Today
RENAULT	Laguna	Laguna II (BG0) X74	1/2001	2/2005
RENAULT	Laguna	Laguna II Phase 2 X74	3/2005	9/2007
RENAULT	Laguna	Laguna III * X91	10/2007	11/2010
RENAULT	Laguna	Laguna III Phase 2 * X91	11/2010	10/2015
RENAULT	Latitude	Latitude * L43	11/2010	Today
RENAULT	Master	Master III FL X62	5/2014	Today
RENAULT	Megane	Megane II X84	9/2002	7/2009
RENAULT	Megane	Megane III Phase 1 * X95	10/2008	7/2012
RENAULT	Megane	Megane III Phase 1 * X95	4/2013	3/2014
RENAULT	Megane	Megane III Phase 2 * X95	4/2012	1/2014
RENAULT	Megane Classic	Megane Classic phase 1 *	9/1996	2/1999
RENAULT	Megane Classic	Megane Classic phase 2 *	3/1999	8/2002
RENAULT	Megane Scenic	Megane Scenic (JA/FA) J64	10/1996	9/1999
RENAULT	Megane Scenic	Scenic Phase2 J64	9/1999	4/2003

Vehicle products



Manufacturer	Model	Generation	From	To
RENAULT	Scenic	Scenic II J84	5/2003	11/2009
RENAULT	Scenic	Scenic III * J95	4/2009	1/2012
RENAULT	Scenic	Scenic III Phase 2 * J95	1/2012	9/2016
RENAULT	Trafic	Trafic III X60	7/2014	Today
RENAULT	Twingo	Twingo X44	1/2007	8/2014
RENAULT	Twingo	Twingo III	9/2014	Today
RENAULT	Vel Satis	Vel Satis X73	1/2002	1/2005
RENAULT	Vel Satis	Vel Satis FL X73	2/2005	12/2009
RENAULT	Zoe	Zoe X10	9/2012	Today
RENAULT	Zoe	Zoe FL X10	6/2013	Today
RENAULT	ZZZcomment		1/1900	1/1900
ROLLS ROYCE	Cabrio	Cabrio RR02	6/2009	Today
ROLLS ROYCE	Phantom	Phantom RR01	9/2007	Today
SAAB	09. Mrz	9-3 FL	9/2002	12/2011
SAAB	9-3x	9-3x	10/2009	12/2011
SAAB	9-4x	9-4x	1/2011	1/2014
SAAB	09. Mai	9-5 II YS3G	5/2010	3/2012
SAAB	09. Mai	9-5 Restyle	11/2005	12/2009
SMART	Forfour	Forfour II 453	7/2014	Today
SMART	Fortwo	Fortwo MKIII 453	7/2014	Today
SUBARU	BRZ	BRZ	3/2012	Today
SUBARU	C-Concept	C-Concept VL9	6/2014	Today
SUBARU	Forester	Forester 4(SJ) SJ(S13)	2/2013	Today
SUBARU	Impreza	Impreza (GJ/GP) GJ/GP	10/2011	Today
SUBARU	Justy	Justy D71A	8/1984	Today
SUBARU	Legacy	Legacy 5 B14	5/2009	Today
SUBARU	Levorg	Levorg VL9	9/2015	Today
SUBARU	Outback	Outback	1/2014	Today
SUBARU	Trezia	Trezia 217A	1/2014	Today
SUBARU	Tribeca	Tribeca 00X	1/2014	Today
SUBARU	WRX STI	WRX STI	6/2008	Today
SUBARU	XV	XV	2/2012	Today
SUZUKI	Alto	Alto YC5	6/2014	Today
SUZUKI	Baleno	Baleno	4/2014	Today
SUZUKI	Celerio	Celerio	10/2014	Today
SUZUKI	Grand Vitara	Grand Vitara YT4	6/2014	Today
SUZUKI	Jimny	Jimny (SN413V)	9/1998	Today
SUZUKI	Splash	Splash YV4/YV5	6/2014	Today
SUZUKI	Swift	Swift III AZG (HUN) AZG	9/2010	Today
SUZUKI	Swift	Swift III AZH (JPN) AZH	9/2010	Today
SUZUKI	SX4	SX4 YY1	3/2014	Today
SUZUKI	SX4	SX4 S-Cross	9/2013	Today
SUZUKI	Vitara	Vitara(LY) LY	2/2015	Today
TESLA	TESLA S	TESLA S S	1/2010	Today
TESLA	TESLA X	TESLA X X	9/2015	Today
TOYOTA	Auris	Auris	6/2014	Today
TOYOTA	Auris	Auris (180) (GBR) E18	10/2012	7/2014
TOYOTA	Auris	Auris Touring Sports	6/2014	Today
TOYOTA	Avensis	Avensis (T25) T25	1/2003	6/2009
TOYOTA	Avensis	Avensis FL (T27) T27	7/2009	Today
TOYOTA	Camry	Camry 045L	3/2014	Today
TOYOTA	Camry	Camry 050A	6/2014	Today
TOYOTA	Corolla	Corolla (180) E18	6/2013	Today
TOYOTA	GT 86	GT 86	4/2012	Today
TOYOTA	Hilux	Hilux 669L	6/2014	Today
TOYOTA	Land Cruiser	Land Cruiser J15	9/2010	6/2015
TOYOTA	Prius	Prius Plug In 2 W35	5/2012	Today
TOYOTA	Prius	Prius Plus	6/2014	Today
TOYOTA	RAV4	RAV4 A3	11/2005	11/2012
TOYOTA	RAV4	RAV4 XA40	5/2014	Today
TOYOTA	RAV4	RAV4(ALA4/ZSA4) ALA4/ZSA4	12/2012	4/2014
TOYOTA	Verso	Verso FL (AU-ZG) R20-21	11/2012	Today
TOYOTA	Verso S	Verso S	11/2010	Today
TOYOTA	Yaris	Yaris	6/2014	Today
VAUXHALL	Adam	Adam 3M13	1/2013	Today
VAUXHALL	Ampera	Ampera	6/2011	Today
VAUXHALL	Antara	Antara L07	10/2006	Today
VAUXHALL	Astra	Astra J FL P10	6/2014	6/2015
VAUXHALL	Astra	Astra MK V A04	3/2004	12/2011
VAUXHALL	Astra	Astra MK VI P10	9/2009	6/2015
VAUXHALL	Astra	Astra MK VII B16	7/2015	Today
VAUXHALL	Cascada	Cascada	3/2013	Today
VAUXHALL	Corsa	Corsa D	6/2014	10/2014
VAUXHALL	Corsa	Corsa MKIV X15	9/2014	Today
VAUXHALL	Insignia	Insignia	1/2009	Today
VAUXHALL	Insignia	Insignia FL	12/2013	Today
VAUXHALL	Movano	Movano B X62	5/2010	5/2015
VAUXHALL	Vectra Estate	Vectra Estate	1/2005	Today

Vehicle products



Manufacturer	Model	Generation	From	To
VAUXHALL	Vivaro	Vivaro B X60	7/2014	Today
VAUXHALL	Zafira	Zafira	6/2014	Today
VAUXHALL	Zafira	Zafira II A05	7/2005	2/2009
VAUXHALL	Zafira	Zafira II FL A05	2/2009	12/2011
VAUXHALL	Zafira	Zafira III P12	10/2011	Today
VOLKSWAGEN	Amarok	Amarok	9/2016	Today
VOLKSWAGEN	CC	CC 358	11/2011	Today
VOLKSWAGEN	Crafter	Crafter 2E2F	4/2006	Today
VOLKSWAGEN	Passat	Passat CC 35	5/2008	1/2012
VOLKSWAGEN	Passat	Passat VI 3C	3/2005	11/2010
VOLKSWAGEN	Passat	Passat VII 36	8/2010	12/2014
VOLKSWAGEN	Passat	Passat VIII 3G	8/2014	Today
VOLKSWAGEN	Phaeton	Phaeton Phase I 3D	5/2002	5/2007
VOLKSWAGEN	Phaeton	Phaeton Phase II 3D	3/2007	5/2010
VOLKSWAGEN	Phaeton	Phaeton Phase III 3D	5/2010	Today
VOLKSWAGEN	Tiguan	Tiguan II 5N2	5/2011	4/2016
VOLKSWAGEN	Tiguan	Tiguan III AD1	1/2016	Today
VOLKSWAGEN	Touareg	Touareg I 7L	11/2002	11/2006
VOLKSWAGEN	Touareg	Touareg I FL 7L	12/2006	5/2010
VOLKSWAGEN	Touareg	Touareg II 7P	1/2010	Today
VOLKSWAGEN	Touareg	Touareg II FL 7P	7/2014	Today
VOLKSWAGEN	Touran	Touran II 5T1	5/2015	Today
VOLVO	C30	C30	10/2006	12/2012
VOLVO	S60	S60	1/2011	Today
VOLVO	S60	S60 P24	8/2000	3/2009
VOLVO	S60	S60 II Y283	4/2010	10/2013
VOLVO	S80	S80	1/2007	Today
VOLVO	S90	S90	7/2016	Today
VOLVO	V40	V40	1/2013	Today
VOLVO	V50	V50 P12	3/2004	6/2012
VOLVO	V60	V60 Y352	9/2010	Today
VOLVO	V70	V70	1/2008	Today
VOLVO	V70	V70 II P26	1/2000	4/2007
VOLVO	V70	V70 III	3/2007	10/2013
VOLVO	V90	V90	9/2016	Today
VOLVO	X C90	XC 90 II	1/2015	Today
VOLVO	XC 60	XC 60	7/2008	10/2013
VOLVO	XC 60	XC 60 FL	10/2013	Today
VOLVO	XC 70	XC 70	3/2007	Today
VOLVO	XC 90	XC 90 I P28	5/2002	9/2007
VOLVO	XC 90	XC 90 I FL	9/2007	9/2014
ALLIGATOR	RetroFIT-Kit	sens.it	1/2014	Today

* Display depends to outfits

** Not for all vehicles

*** Without Keyless-Entry



Art.-No. 3590 4 1

Art.-No. 3590 4 2



3590 4 1



3590 4 2

Last update of the application list: September 2015
Changes are subject to alterations by the manufacturer

Manufacturer	Model	Generation	From	To
ALFA ROMEO	4C	4C	6/2013	3/2021
ALFA ROMEO	8C Competizione	920	1/2007	Today
ALFA ROMEO	MiTo	955	8/2013	Today
ALFA ROMEO	MiTo (LCV)	955	6/2014	Today
ALPINA	Alpina 3	F30	1/2013	Today
ALPINA	Alpina 3	F32	4/2013	Today
ALPINA	Alpina 4	F32	3/2014	Today
ALPINA	Alpina 5	F10	3/2014	10/2017
ALPINA	Alpina 6	F06	3/2014	10/2018
ALPINA	Alpina 6	F12	1/2015	Today
ALPINA	Alpina 7	F01	3/2014	Today
ALPINA	XD3	F25	3/2014	Today
ASTON MARTIN	Cygnnet	630L	6/2014	Today
AUDI	A3 Sportback	AU370	6/2012	Today
AUDI	A3 Sportback (LCV)	AU370	6/2012	Today
AUDI	A4	AU481	1/2015	Today
AUDI	A4	AU491	10/2014	10/2021
AUDI	A4 (LCV)	AU481	6/2014	Today
AUDI	A4 Allroad	AU486	3/2009	12/2015
AUDI	A5	AU484	12/2006	6/2015
AUDI	A5 Cabrio	AU485	11/2008	Today
AUDI	A5 Sportback	AU483	7/2009	Today
AUDI	A5 Sportback (LCV)	AU483	6/2014	Today
AUDI	A6 (LCV)	AU571	1/2011	Today
AUDI	A6 Allroad	AU566	4/2000	8/2005
AUDI	A7	AU573	9/2010	Today
AUDI	A8	AU631	9/1999	7/2010
AUDI	Q3	AU316	7/2011	3/2018
AUDI	Q3 (LCV)	AU316	7/2011	Today
AUDI	Q5	AU416	9/2008	Today
AUDI	Q5 (LCV)	AU416	9/2008	Today
AUDI	Q7	AU726	6/2014	12/2021
AUDI	Q7 (LCV)	AU726	6/2014	Today
AUDI	R8	AU724	4/2015	9/2023
AUDI	TT	AU334	2/2014	Today
BMW	1-series	E80	6/2014	Today
BMW	1-series	F20	7/2011	12/2019
BMW	1-series (LCV)	F20	6/2014	Today
BMW	2-series	F22	11/2013	Today
BMW	2-series Active Tourer	F45	7/2014	6/2021
BMW	2-series Gran Tourer	F46	1/2015	Today
BMW	3-series	E46	5/1997	12/2004
BMW	3-series	F30	3/2014	12/2019
BMW	3-series (LCV)	F30	5/2014	Today
BMW	3-series GT	F34	3/2013	1/2020
BMW	4-series	F32	10/2013	Today
BMW	4-series Gran Coupé	F36	7/2014	Today
BMW	5-series	F10	3/2014	10/2016
BMW	5-series	E39	9/1998	7/2003
BMW	5-series GT	F07	3/2014	3/2017
BMW	6-series	F12	3/2014	Todas
BMW	6-series Gran Coupé	F06	3/2014	10/2018
BMW	7-series	E39	9/1998	10/2001
BMW	7-series	E65	11/2001	11/2003
BMW	i3	I01	8/2013	Today
BMW	i8	I12	1/2014	Today
BMW	X1	E84	3/2014	6/2015
BMW	X1	F48	7/2015	12/2021
BMW	X1 (LCV)	E84	3/2014	Today
BMW	X3	F25	3/2014	Today
BMW	X3 (LCV)	F25	6/2014	Today
BMW	X4	F26	4/2014	3/2020
BMW	X5	F15	5/2013	3/2020
BMW	X5	E53	10/1999	4/2004

Vehicle products



Manufacturer	Model	Generation	From	To
BMW	X5 (LCV)	F15	6/2014	Today
BMW	X6	F16	8/2014	Today
BMW	X6	F16	8/2015	7/2021
BMW	X6 (LCV)	F16	10/2015	Today
BMW	Z4	E89	3/2014	Today
BUICK	Park Avenue	G-CAR	1/1997	6/2004
CADILLAC	ATS	A1BL	7/2014	Today
CADILLAC	ATS	A1SL	7/2012	Today
CADILLAC	CTS	A1LL	9/2013	Today
CADILLAC	CTS	GMX206	1/2008	Today
CADILLAC	CTS	GMX226	6/2010	Today
CADILLAC	Escalade	GMT926	12/2005	Today
CADILLAC	Escalade	GMT926	3/2014	Today
CADILLAC	Escalade	K2UL	1/2014	Today
CADILLAC	Escalade (LCV)	GMT926	12/2005	Today
CADILLAC	SRX	GMT166	7/2009	Today
CADILLAC	SRX	GMT265	6/2005	2/2009
CADILLAC	STS	GMX295	6/2005	4/2011
CADILLAC	XLR	GMX215	5/2003	4/2009
CADILLAC	XTS	P1LL	5/2012	Today
CHEVROLET	Aveo	G1SC	11/2010	12/2016
CHEVROLET	Aveo	T250	3/2014	Today
CHEVROLET	Aveo	G1JC	3/2014	Today
CHEVROLET	Camaro	GMX521	11/2010	Today
CHEVROLET	Captiva	C100	6/2006	Today
CHEVROLET	Cobalt	G1LC	2/2013	Today
CHEVROLET	Colorado	GMi700	6/2014	Today
CHEVROLET	Colorado (LCV)	GMT355	10/2003	Today
CHEVROLET	Corvette	GMX245	2/2010	12/2014
CHEVROLET	Corvette	GMX245	7/2004	1/2010
CHEVROLET	Cruze	D1JC	6/2014	Today
CHEVROLET	Cruze	D1WC	6/2014	Today
CHEVROLET	Epica	V250	6/2014	Today
CHEVROLET	Express	GMT610	6/2014	Today
CHEVROLET	Express (PC)	GMT610	7/2002	Today
CHEVROLET	Lacetti	J200	6/2014	Today
CHEVROLET	Malibu	V300	7/2011	6/2014
CHEVROLET	Malibu	V300	7/2014	Today
CHEVROLET	Malibu	V300	7/2010	6/2011
CHEVROLET	Matiz	M100	6/2014	Today
CHEVROLET	Matiz	M200	3/2014	Today
CHEVROLET	Niva	2123	6/2014	Today
CHEVROLET	Orlando	J309	9/2010	12/2017
CHEVROLET	Orlando	D1NC	6/2014	Today
CHEVROLET	Orlando (LCV)	D1NC	6/2014	Today
CHEVROLET	Silverado	K2XC	6/2014	Today
CHEVROLET	Spark	M1JC	7/2009	Today
CHEVROLET	Suburban	GMT931	3/2006	7/2008
CHEVROLET	Tahoe	GMT921	3/2014	Today
CHEVROLET	Tahoe	K2UC	3/2014	Today
CHEVROLET	Tracker	G1UC	1/2014	Today
CHEVROLET	Trailblazer	GMi31UX	6/2014	Today
CHEVROLET	Trax	G1UC	3/2012	Today
CHEVROLET	Volt	D1JCI	11/2010	Today
CHEVROLET	Volt	D2JCI	6/2015	9/2020
CHRYSLER	300	LE48	6/2014	Today
CHRYSLER	300	LX	1/2011	6/2016
CHRYSLER	300/300C	LE48	6/2005	6/2010
CHRYSLER	300C	LX	6/2014	Today
CHRYSLER	Grand Voyager	RT	1/2011	9/2017
CHRYSLER	Grand Voyager	RT	7/2007	1/2011
CHRYSLER	Sebring	JS41C	8/2006	Today
CHRYSLER	Sebring Convertible	JS27	2/2007	Today
CHRYSLER	Town & Country	RT	7/2007	1/2011
CHRYSLER	Viper	ZD	12/2012	Today
CHRYSLER	Voyager	RT	6/2014	Today
CITROËN	Berlingo	B9	1/2008	Today
CITROËN	Berlingo (LCV)	B9	1/2008	9/2013
CITROËN	C4	B5	11/2004	6/2008
CITROËN	C4	B7	6/2010	1/2014
CITROËN	C4 Aircross	J4	4/2014	Today
CITROËN	C4 Aircross (LCV)	J4	4/2014	Today
CITROËN	C4 Picasso	B58	5/2006	9/2013
CITROËN	C5	X3/X40	8/2004	12/2007
CITROËN	C5	X40	12/2000	7/2004
CITROËN	C5	X7	1/2008	9/2013

Vehicle products



Manufacturer	Model	Generation	From	To
CITROËN	C6	X6	9/2005	12/2012
CITROËN	C8	V3	7/2014	Today
CITROËN	C8	V3	9/2005	6/2014
CITROËN	C8	V3	2/2002	10/2005
CITROËN	C-ZERO	S4	6/2014	Today
CITROËN	C-ZERO (LCV)	S4	6/2014	Today
CITROËN	DS4	B75	12/2010	1/2014
CITROËN	DS4 (LCV)	B75	12/2010	1/2014
CITROËN	DS5	B81	6/2011	1/2014
CITROËN	DS5 (LCV)	B81	6/2011	1/2014
CITROËN	Jumper	X2/50	1/2006	11/2013
CITROËN	Nemo	225	10/2007	12/2015
CITROËN	Nemo Multispace	225	10/2007	Today
DACIA	Dokker	K67	6/2014	Today
DACIA	Dokker Van	F67	6/2014	Today
DACIA	Duster	H79	2/2010	Today
DACIA	Duster Pickup	U79	10/2015	Today
DACIA	Duster Pro	H79	6/2014	Today
DACIA	Lodgy	J92	1/2012	Today
DACIA	Lodgy (LCV)	J92	6/2014	Today
DACIA	Logan	L52	11/2012	Today
DACIA	Logan MCV	K52	4/2013	Today
DACIA	Logan Van	F90	6/2014	Today
DACIA	Sandero	B52	10/2012	Today
DACIA	Sandero Pro	B52	10/2012	Today
DAEWOO	Gentra	J200	8/2013	Today
DAEWOO	Nexia	T-CAR	6/2014	Today
DAEWOO	Nexia	T	3/2014	Today
DOGE	Avenger	JS41D	11/2006	Today
DOGE	Caliber	PM49	1/2006	Today
DOGE	Caravan	RT	6/2011	5/2017
DOGE	Challenger	LC22	2/2010	9/2017
DOGE	Challenger	LC22	1/2008	1/2010
DOGE	Charger	LD	12/2010	9/2014
DOGE	Charger	LD	10/2014	6/2016
DOGE	Durango	WD75	11/2010	Today
DOGE	Journey	JC49	1/2011	6/2014
DOGE	Journey	JC49	7/2014	9/2015
DOGE	Nitro	KA	8/2006	Today
DOGE	Nitro (LCV)	KA	8/2006	6/2012
DOGE	Ram	DS	1/2010	12/2012
DOGE	Viper	ZD	7/2015	Today
DOGE	Viper	ZD	8/2013	6/2015
FERRARI	550 Maranello	F133	3/2002	Today
FERRARI	612 Scaglietti	F137	4/2004	6/2011
FERRARI	Enzo	Enzo	9/2003	12/2004
FERRARI	F430	F131	5/2005	6/2007
FERRARI	F599 GTB	F141	3/2004	Today
FIAT	500	312	8/2015	Today
FIAT	500	312	5/2007	7/2015
FIAT	500 (LCV)	312	5/2007	Today
FIAT	500C	312	5/2007	Today
FIAT	500L (LCV)	330	6/2014	Today
FIAT	Doblo	223	6/2014	Today
FIAT	Doblo	263	12/2009	Today
FIAT	Doblo Combi	263	6/2014	Today
FIAT	Ducato	X2/50	6/2014	Today
FIAT	Ducato	SEVEL X2	6/2014	Today
FIAT	Ducato Chassis	X2/50	6/2014	Today
FIAT	Ducato Combi	X2/50	6/2014	Today
FIAT	Fiorino	225	6/2014	Today
FIAT	Fiorino Qubo	225	6/2014	Today
FIAT	Freemont	JF	7/2014	9/2015
FIAT	Freemont	JF	3/2011	6/2014
FIAT	Freemont (LCV)	JF	3/2011	Today
FIAT	Linea	200	3/2007	3/2016
FIAT	Linea	200(2)	11/2015	Today
FIAT	Qubo	225	10/2007	Today
FIAT	Scudo	G9	9/2006	10/2013
FIAT	Scudo Combi	G9	9/2006	10/2013
FIAT	Strada	178	9/1998	Today
FIAT	Ulysse	V1	1/2001	10/2010
FIAT	Ulysse	V1	2/2002	10/2005
FORD	B-MAX	B232	6/2014	Today
FORD	B-MAX (LCV)	B232	6/2014	Today
FORD	C-MAX	C344	3/2014	Today

Vehicle products



Manufacturer	Model	Generation	From	To
FORD	C-Max (LCV)	C344	8/2010	Today
FORD	Econoline	VN127	1/2006	Today
FORD	Ecosport	B515	10/2014	Today
FORD	Ecosport	B515	7/2012	9/2014
FORD	Edge	U387	6/2014	Today
FORD	Escape	C520	3/2014	Today
FORD	Escape	C520	4/2012	6/2017
FORD	Escape	U377	1/2009	4/2012
FORD	Expedition	U222(2)	1/2005	11/2008
FORD	Explorer	U502	11/2010	Today
FORD	F-150	P415	3/2014	Today
FORD	F-150	P415	9/2008	6/2014
FORD	F250	P473	3/2014	Today
FORD	Fiesta	B299	5/2014	12/2015
FORD	Fiesta Van	B299	6/2014	Today
FORD	Focus	C346	3/2014	Today
FORD	Focus (LCV)	C346	12/2010	Today
FORD	F-Series	P415	3/2014	Today
FORD	F-Series	P415	9/2008	Today
FORD	Kuga	C394	6/2014	Today
FORD	Kuga	C520	11/2012	9/2019
FORD	Kuga (LCV)	C520	11/2012	Today
FORD	Mondeo	CD391	10/2014	Today
FORD	Mondeo (LCV)	CD391	9/2013	Today
FORD	Mustang	S197	5/2014	Today
FORD	Mustang	S197	9/2004	4/2014
FORD	Mustang	S550	5/2014	Today
FORD	Mustang (Import)	S197	9/2004	4/2014
FORD	Ranger	P375	6/2014	Today
FORD	Tourneo Connect	V408	3/2014	Today
FORD	Tourneo Courier	B460	10/2014	Today
FORD	Tourneo Courier	B460	3/2014	9/2014
FORD	Tourneo Custom	V362	4/2013	Today
FORD	Transit	V347	6/2014	Today
FORD	Transit	V348	6/2014	Today
FORD	Transit	V363	6/2013	Today
FORD	Transit Chassis	V348	3/2014	Today
FORD	Transit Chassis	V363	6/2013	Today
FORD	Transit Combi	V348,V363	6/2013	3/2021
FORD	Transit Combi	V363	6/2013	Today
FORD	Transit Connect	V227	3/2014	Today
FORD	Transit Connect	V408	3/2014	Today
FORD	Transit Courier	B460	10/2014	Today
FORD	Transit Courier	B460	3/2014	9/2014
FORD	Transit Custom	V362	4/2013	Today
GMC	Savana Cargo	GMT610	7/2002	Today
GMC	Sierra	K2XG	4/2013	6/2019
GMC	Sierra	K2XG	2/2014	Today
GMC	Yukon	GMT922	12/2005	12/2013
GMC	Yukon	GMT922	3/2014	Today
GMC	Yukon	K2UG	3/2014	Today
HUMMER	H2	H2	4/2002	12/2008
HUMMER	H3	GMT345	3/2005	1/2012
HUMMER	H3 (LCV)	GMT345	3/2005	1/2012
HYUNDAI	Accent	MC	6/2014	Today
HYUNDAI	Accent	RB	3/2014	Today
HYUNDAI	B-CUV	GC	4/2015	Today
HYUNDAI	Genesis	BH	6/2014	Today
HYUNDAI	Genesis	DH	1/2014	Today
HYUNDAI	Genesis Coupé	BK	3/2014	Today
HYUNDAI	H1	TQ	3/2014	Today
HYUNDAI	H1 Van	TQ	3/2014	Today
HYUNDAI	H100	HR	3/2014	Today
HYUNDAI	H100	TQ	3/2014	Today
HYUNDAI	H100 Van	HR	3/2014	Today
HYUNDAI	H100 Van	TQ	3/2014	Today
HYUNDAI	i10	PA	3/2014	Today
HYUNDAI	i10	IA	11/2013	Today
HYUNDAI	i10	IA, PA	10/2007	Today
HYUNDAI	i10 (LCV)	PA	3/2014	Today
HYUNDAI	i20	PB	7/2014	Today
HYUNDAI	i20	PB	8/2008	6/2014
HYUNDAI	i20	GB	1/2014	Today
HYUNDAI	i20	GB, IB	11/2014	Today
HYUNDAI	i20 (LCV)	IB	1/2015	Today
HYUNDAI	i20 (LCV)	GB	11/2014	Today

Vehicle products



Manufacturer	Model	Generation	From	To
HYUNDAI	i30	FD	10/2007	Today
HYUNDAI	i30	GD	11/2011	Today
HYUNDAI	i30 (LCV)	GD	10/2011	Today
HYUNDAI	ix20	JC	9/2010	9/2013
HYUNDAI	ix20	JC	5/2013	Today
HYUNDAI	ix20 (LCV)	JC	9/2010	9/2013
HYUNDAI	ix35	LM	3/2014	Today
HYUNDAI	ix35	TL	10/2015	Today
HYUNDAI	ix35 (LCV)	LM	3/2014	Today
HYUNDAI	ix35 (LCV)	TL	10/2015	Today
HYUNDAI	ix55	EN	3/2014	Today
HYUNDAI	Porter	HR	3/2014	Today
HYUNDAI	Santa Fe	CM	12/2005	Today
HYUNDAI	Santa Fe	DM	4/2012	Today
HYUNDAI	Santa Fe (LCV)	DM	3/2014	Today
HYUNDAI	Solaris	RB	3/2014	Today
HYUNDAI	Sub-Compact SUV	IB	5/2015	Today
HYUNDAI	Tucson	TL	10/2015	Today
HYUNDAI	Veloster	FS	2/2011	Today
INFINITI	EX	P53B	10/2007	3/2016
INFINITI	FX	P53C	9/2014	9/2020
INFINITI	FX	P53C	3/2008	8/2014
INFINITI	G	L53A	4/2013	1/2019
INFINITI	G	L53A	8/2006	3/2013
INFINITI	M	L53E	12/2009	Today
INFINITI	Q60	L53A	11/2013	Today
INFINITI	Q70	L53E	11/2013	Today
INFINITI	QX50	P53B	6/2014	Today
INFINITI	QX50	P53B(2)	11/2015	Today
INFINITI	QX70	P53C	6/2014	Today
INFINITI	QX80	Z62	1/2014	Today
JEEP	Cherokee	KK	7/2007	Today
JEEP	Compass	MK49	9/2014	Today
JEEP	Compass	MK49	5/2006	8/2014
JEEP	Grand Cherokee	WK74	7/2010	Today
JEEP	Grand Cherokee	WH	3/2005	6/2010
JEEP	Grand Cherokee (LCV)	WK74	5/2010	Today
JEEP	Patriot	MK74	12/2006	8/2014
JEEP	Patriot	MK74	9/2014	Today
JEEP	Patriot (LCV)	MK74	12/2006	Today
JEEP	Wrangler	JK72	10/2010	12/2013
JEEP	Wrangler	JK72	1/2014	Today
JEEP	Wrangler	JK72	8/2006	9/2010
JEEP	Wrangler (LCV)	JK72	8/2006	Today
KIA	Cadenza	VG	10/2013	Today
KIA	Carens	RP	12/2012	Today
KIA	Carens	UN	3/2014	Today
KIA	Ceed	JD	3/2012	Today
KIA	Ceed (LCV)	JD	3/2014	Today
KIA	Magentis	TF	3/2014	Today
KIA	New Carens	RP	6/2013	Today
KIA	Optima	TF	8/2013	Today
KIA	Optima	TF	9/2011	8/2013
KIA	Picanto	TA	4/2014	Today
KIA	Picanto (LCV)	TA	6/2014	Today
KIA	Quoris	KH	1/2013	Today
KIA	Sorento	UM	7/2012	Today
KIA	Sorento	XM	5/2009	9/2012
KIA	Sorento (LCV)	UM	7/2012	Today
KIA	Sorento (LCV)	XM	3/2014	Today
KIA	Soul	AM	10/2008	Today
KIA	Soul	PS	11/2013	Today
KIA	Soul (LCV)	PS	10/2013	Today
KIA	Sportage	SL	1/2010	Today
KIA	Sportage (LCV)	SL	3/2014	Today
KIA	Venga	YN	4/2014	Today
KIA	Venga (LCV)	YN	2/2010	Today
LANCIA	Delta	PK	6/2014	Today
LANCIA	Flavia	JS27	10/2010	Today
LANCIA	Thema	LX	1/2011	Today
LANCIA	Voyager	RT	7/2007	1/2011
LANCIA	Voyager	RT, RU	1/2011	10/2015
LANCIA	Voyager (LCV)	RT	1/2011	Today
LAMD ROVER	Range Rover (LCV)	L322	3/2002	2/2003
LEXUS	C-CUV	600A	11/2014	Today
LEXUS	CT	080A	6/2014	Today

Manufacturer	Model	Generation	From	To
LEXUS	ES	980L	6/2014	Today
LEXUS	GS	920L	6/2014	Today
LEXUS	GX	837L	6/2014	Today
LEXUS	IS	030L	6/2014	Today
LEXUS	IS	400A	7/2013	Today
LEXUS	IS	720A	2/2015	Today
LEXUS	LF-A	973L	6/2014	Today
LEXUS	LS	250L	1/2014	Today
LEXUS	LX	220L	6/2014	Today
LEXUS	NX	600A	3/2014	Today
LEXUS	RC	720A	1/2014	Today
LEXUS	RX	640L	6/2014	Today
LEXUS	RX	740A	4/2015	Today
MAHINDRA	B-CUV	S101	9/2015	Today
MAHINDRA	Bolero	CL/MM	6/2014	Today
MAHINDRA	NC	CL/MM	6/2014	Today
MAHINDRA	Scorpio	MI	6/2014	Today
MAHINDRA	Scorpio	W105	6/2014	Today
MAHINDRA	Thar	CL/MM	6/2014	Today
MAHINDRA	XUV500	W201	6/2014	Today
MASERATI	Ghibli	M157	11/2013	Today
MASERATI	GranCabrio	M147	7/2015	3/2021
MASERATI	GranTurismo	M145	1/2014	3/2020
MASERATI	GT Coupé	M145	1/2002	6/2009
MASERATI	GT Coupé	M138	3/2014	Today
MASERATI	Levante	WM	4/2015	9/2021
MASERATI	Quattroporte	M139	4/2004	12/2009
MASERATI	Quattroporte	M156	1/2013	Today
MAYBACH	57/62	W240	9/2002	Today
MAZDA	B-Series	J26E	6/2015	Today
MAZDA	BT-50	J26E	5/2011	Today
MERCEDES-BENZ	A-Class	W176	12/2014	Today
MERCEDES-BENZ	A-Class	W176	1/2013	11/2014
MERCEDES-BENZ	A-Class (LCV)	W176	6/2014	Today
MERCEDES-BENZ	B-Class	W246	1/2013	Today
MERCEDES-BENZ	B-Class (LCV)	W246	12/2014	Today
MERCEDES-BENZ	C-Class	C204	3/2014	Today
MERCEDES-BENZ	C-Class	C205	1/2015	Today
MERCEDES-BENZ	C-Class	W204	1/2013	Today
MERCEDES-BENZ	C-Class	W205	1/2014	3/2021
MERCEDES-BENZ	C-Class (LCV)	W205	7/2014	Today
MERCEDES-BENZ	C-Class Coupé	C204	12/2012	Today
MERCEDES-BENZ	C-Class Coupé	C205	6/2015	Today
MERCEDES-BENZ	Citan	VS10	9/2012	Today
MERCEDES-BENZ	Citan Combi	VS10	1/2014	Today
MERCEDES-BENZ	CL	C216	7/2006	Today
MERCEDES-BENZ	CL	C217	4/2014	6/2020
MERCEDES-BENZ	CL	C215	7/1999	9/2005
MERCEDES-BENZ	CLA	C117	12/2012	11/2014
MERCEDES-BENZ	CLA	C117	12/2014	Today
MERCEDES-BENZ	CLK	C209	6/2014	Today
MERCEDES-BENZ	CLS	C218	12/2014	Today
MERCEDES-BENZ	CLS	C218	1/2013	11/2014
MERCEDES-BENZ	CLS	C218	8/2009	12/2012
MERCEDES-BENZ	CLS	C219	10/2004	6/2005
MERCEDES-BENZ	E-Class	C207	6/2014	Today
MERCEDES-BENZ	E-Class	W212	12/2014	Today
MERCEDES-BENZ	E-Class	W212	1/2013	11/2014
MERCEDES-BENZ	E-Class	W212	1/2009	12/2012
MERCEDES-BENZ	E-Class Coupé	C207	1/2009	12/2012
MERCEDES-BENZ	GLA	X156	12/2014	12/2020
MERCEDES-BENZ	GLA	X156	1/2014	11/2014
MERCEDES-BENZ	GLC	X253	1/2015	Today
MERCEDES-BENZ	GL-Class	X164	6/2009	12/2012
MERCEDES-BENZ	GL-Class	X166	1/2013	Today
MERCEDES-BENZ	GL-Class (LCV)	X166	3/2014	Today
MERCEDES-BENZ	GLE Coupé	C292	1/2015	Today
MERCEDES-BENZ	GLK	X204	12/2012	9/2015
MERCEDES-BENZ	GLK	X204	10/2015	Today
MERCEDES-BENZ	GLK	X253	10/2015	Today
MERCEDES-BENZ	GLK (LCV)	X204	6/2014	Today
MERCEDES-BENZ	GLK (LCV)	X253	10/2015	Today
MERCEDES-BENZ	GT	C190	1/2014	Today
MERCEDES-BENZ	G-Wagen	G463/461	1/2013	12/2022
MERCEDES-BENZ	G-Wagen	G463/461	4/2007	12/2012
MERCEDES-BENZ	G-Wagen (LCV)	G463/461	12/2012	12/2022

Vehicle products



Manufacturer	Model	Generation	From	To
MERCEDES-BENZ	MLC	C292	12/2012	Today
MERCEDES-BENZ	ML-Class	W166	7/2011	12/2012
MERCEDES-BENZ	ML-Class	W166	7/2014	Today
MERCEDES-BENZ	ML-Class (LCV)	W166	6/2014	Today
MERCEDES-BENZ	R-Class	V251	1/2013	Today
MERCEDES-BENZ	R-Class	V251	7/2009	12/2012
MERCEDES-BENZ	S-Class	W221	1/2013	6/2013
MERCEDES-BENZ	S-Class	W221	7/2009	12/2012
MERCEDES-BENZ	S-Class	W222	12/2014	Today
MERCEDES-BENZ	S-Class	W220	7/1999	9/2005
MERCEDES-BENZ	S-Class Coupé	C217	7/2014	Today
MERCEDES-BENZ	S-Class Pullman	X222	3/2014	Today
MERCEDES-BENZ	SL	R230	1/2001	5/2005
MERCEDES-BENZ	SL	R231	1/2013	5/2014
MERCEDES-BENZ	SL	R231	8/2009	12/2012
MERCEDES-BENZ	SL	R231	6/2014	Today
MERCEDES-BENZ	SLC	C190	1/2015	Today
MERCEDES-BENZ	SLK	R172	12/2014	Today
MERCEDES-BENZ	SLK	R172	1/2013	11/2014
MERCEDES-BENZ	SLR	C199	1/2004	12/2010
MERCEDES-BENZ	SLS	C197	1/2013	9/2023
MERCEDES-BENZ	SLS	C197	2/2010	12/2012
MERCEDES-BENZ	Sprinter	NCV3	6/2014	Today
MERCEDES-BENZ	Sprinter Combi	NCV3	1/2013	Today
MERCEDES-BENZ	V-Class	VS20	3/2014	Today
MERCEDES-BENZ	V-Class	W638	6/2014	Today
MERCEDES-BENZ	Viano	VS20	6/2014	Today
MERCEDES-BENZ	Viano (LCV)	VS20	8/2014	7/2023
MERCEDES-BENZ	Viano (LCV) (Low-Line)	W639	7/2003	6/2014
MERCEDES-BENZ	Vito	VS20	7/2014	Today
MERCEDES-BENZ	Vito Combi	W639	3/2014	Today
MERCEDES-BENZ	Vito Combi	VS20	12/2012	4/2023
MINI	Clubman	F54	7/2015	6/2022
MINI	Clubman (LCV)	F54	1/2015	Today
MINI	Clubvan	F54	7/2015	5/2022
MINI	Countryman	R60	7/2014	Today
MINI	Countryman (LCV)	R60	7/2014	Today
MINI	Coupé	R58	7/2014	Today
MINI	MINI	F56	12/2013	Today
MINI	MINI	R56	6/2014	Today
MINI	MINI (LCV)	F56	1/2014	Today
MINI	Paceman	R61	7/2014	Today
MINI	Roadster	R59	7/2014	Today
MITSUBUCHI MOTORS	ASX	ZC	6/2014	Today
MITSUBUCHI MOTORS	ASX (LCV)	ZC	6/2014	Today
MITSUBUCHI MOTORS	Attrage	EL-L	3/2014	Today
MITSUBUCHI MOTORS	i-MiEV	TQ	6/2014	Today
MITSUBUCHI MOTORS	L200	CR	6/2014	Today
MITSUBUCHI MOTORS	L200	4P00	11/2014	Today
MITSUBUCHI MOTORS	L200	4P00, CR	6/2014	Today
MITSUBUCHI MOTORS	Lancer	GS41	6/2014	Today
MITSUBUCHI MOTORS	Lancer	JT41	6/2014	Today
MITSUBUCHI MOTORS	Mirage	EL	5/2013	Today
MITSUBUCHI MOTORS	Outlander	RE	6/2014	Today
MITSUBUCHI MOTORS	Outlander	GS45X, RE	3/2014	Today
MITSUBUCHI MOTORS	Outlander (LCV)	RE	6/2014	Today
MITSUBUCHI MOTORS	Pajero	BK	7/2014	Today
MITSUBUCHI MOTORS	Pajero (LCV)	BK	7/2014	Today
MITSUBUCHI MOTORS	Pajero Sport	CR45	6/2014	Today
MITSUBUCHI MOTORS	Pajero Sport	4P45	1/2015	Today
MITSUBUCHI MOTORS	Spacestar	EL	7/2014	Today
NISSAN	370Z	C53D	10/2008	Today
NISSAN	370Z	RC53D	3/2009	Today
NISSAN	Almera	LB1A	5/2013	Today
NISSAN	Atleon	F91A	6/2014	Today
NISSAN	Atleon	F91B	3/2014	Today
NISSAN	Atleon	F91G	1/2014	Today
NISSAN	Cabstar	F91A	6/2014	Today
NISSAN	Cabstar E	F91A	6/2014	Today
NISSAN	C-Hatch	B12L	10/2014	Today
NISSAN	Evalia	X11M	3/2014	Today
NISSAN	Frontier	H60A	9/2014	3/2023
NISSAN	GT-R	D52E	9/2007	Today
NISSAN	Murano	P42D	10/2007	Today
NISSAN	Navara	H60A	9/2014	Today
NISSAN	Navara	D22,H61B	3/2014	Today

Vehicle products



Manufacturer	Model	Generation	From	To
NISSAN	Note	J02C	8/2013	Today
NISSAN	Note	L11E	3/2014	Today
NISSAN	Note (LCV)	J02C	3/2012	Today
NISSAN	NP300	H60A	9/2014	Today
NISSAN	NV200	X11M	4/2014	Today
NISSAN	NV200 Combi	X11M	4/2014	Today
NISSAN	NV400	X62	6/2014	Today
NISSAN	NV400 Combi	X62	6/2014	Today
NISSAN	Pixo	YC5	1/2009	Today
NISSAN	Primastar	X83	6/2014	Today
NISSAN	Primastar Combi	X83	6/2014	Today
NISSAN	Primera	ED	12/2001	5/2007
NISSAN	Pulsar	B12L	3/2014	Today
NISSAN	Qashqai	P32S	12/2013	Today
NISSAN	Qashqai (LCV)	P32S	12/2013	Today
NISSAN	Sentra	L12F	8/2014	Today
NISSAN	Teana	L42L	1/2014	Today
NISSAN	Terrano	H79N	3/2014	Today
NISSAN	Tiida	B11C	3/2014	Today
NISSAN	Tiida	B12L	4/2014	Today
NISSAN	X-Trail	P32E	6/2014	Today
NISSAN	X-Trail	P32R	11/2013	Today
NISSAN	X-Trail (LCV)	P32R	11/2013	Today
OPEL	Adam	GM 4403	1/2013	7/2014
OPEL	Adam	GM 4403	8/2014	8/2015
OPEL	Adam	GM 4403	8/2015	Today
OPEL	Adam (LCV)	GM 4403	3/2014	Today
OPEL	Ampera	D1JOI	9/2011	Today
OPEL	Ampera	D2JCI	1/2015	Today
OPEL	Antara	C105	11/2010	Today
OPEL	Antara	C105	8/2006	11/2010
OPEL	Astra	D2JO	8/2015	Today
OPEL	Astra	GM P3400	10/2009	9/2011
OPEL	Astra	GM P3400	6/2014	Today
OPEL	Astra	GM P3400	9/2011	5/2014
OPEL	Astra (LCV)	D2JO	1/2015	Today
OPEL	Astra Van	D2JO	1/2015	Today
OPEL	Astra Van	D2JO, GM P3400	6/2014	Today
OPEL	Astra Van	GM P3400	6/2014	Today
OPEL	Cascada	D1AO	1/2013	5/2014
OPEL	Cascada	D1AO	6/2014	Today
OPEL	Combo	263	6/2014	Today
OPEL	Combo Combi	263	6/2014	Today
OPEL	Corsa	GM S4400	6/2014	10/2014
OPEL	Corsa	GM 4530	11/2014	2/2015
OPEL	Corsa	GM 4530	3/2015	Today
OPEL	Corsa Van	GM S4400	6/2014	10/2014
OPEL	Corsa Van	GM 4530	3/2015	Today
OPEL	Insignia	GM G3700	10/2008	9/2011
OPEL	Insignia	GM G3700	5/2014	Today
OPEL	Insignia	GM G3700	9/2011	4/2014
OPEL	Karl	M2JO	1/2015	Today
OPEL	Meriva	GM S4470	8/2014	Today
OPEL	Meriva (LCV)	GM S4470	6/2014	Today
OPEL	Mokka	G1UO	6/2012	8/2015
OPEL	Mokka	G1UO	9/2015	Today
OPEL	Mokka (LCV)	G1UO	6/2014	Today
OPEL	Movano	X62	6/2014	Today
OPEL	Movano Combi	X62	6/2014	Today
OPEL	Viva	M2JO	1/2015	Today
OPEL	Vivaro	X82	9/2014	Today
OPEL	Vivaro	X83	6/2014	Today
OPEL	Vivaro Combi	X82	9/2014	Today
OPEL	Vivaro Combi	X83	3/2014	Today
OPEL	Zafira Tourer	GM P3470	6/2014	Today
OPEL	Zafira Tourer	GM P3470	9/2011	5/2014
OPEL	Zafira Tourer (LCV)	GM P3470	9/2011	Today
PEUGEOT	1007	PF1	1/2005	Today
PEUGEOT	1007	A08	3/2014	Today
PEUGEOT	207	A7	11/2005	9/2013
PEUGEOT	3008	T84	11/2008	9/2013
PEUGEOT	3008 (LCV)	T84	11/2008	Today
PEUGEOT	307	T5	11/2003	12/2006
PEUGEOT	307	T5	1/2007	12/2007
PEUGEOT	308	T7	4/2007	8/2013
PEUGEOT	4008	J3	6/2014	Today

Vehicle products



Manufacturer	Model	Generation	From	To
PEUGEOT	4008 (LCV)	J3	6/2014	Today
PEUGEOT	407	D2	1/2004	2/2006
PEUGEOT	5008	T87	9/2009	9/2013
PEUGEOT	508	W2	11/2010	9/2013
PEUGEOT	508 RXH	W24	1/2012	Today
PEUGEOT	607	Z8	10/2004	3/2009
PEUGEOT	607	Z8	9/1999	10/2004
PEUGEOT	807	V2	10/2004	Today
PEUGEOT	807	V2	2/2002	9/2004
PEUGEOT	Boxer	X2/50	12/2013	Today
PEUGEOT	Boxer Combi	X2/50	12/2013	Today
PEUGEOT	iOn	S3	6/2014	Today
PEUGEOT	iOn (LCV)	S3	6/2014	Today
PEUGEOT	RCZ	T75	12/2009	9/2013
PORSCHE	911	991	9/2015	Today
PORSCHE	911	997	7/2004	3/2008
PORSCHE	918 Spyder	PO815	3/2014	Today
PORSCHE	Boxster	987	11/2004	10/2008
PORSCHE	Carrera GT	980	7/2003	4/2006
PORSCHE	Cayenne	E2	12/2002	12/2006
PORSCHE	Cayenne	E2	5/2014	Today
PORSCHE	Cayman	987	1/2005	1/2008
PORSCHE	Macan	PO416	11/2013	Today
PORSCHE	Panamera	970	1/2014	Today
RENAULT	Captur	J87	1/2013	Today
RENAULT	Captur (LCV)	J87	6/2014	Today
RENAULT	C-CUV	HFE	10/2014	Today
RENAULT	Clio	X85	6/2014	Today
RENAULT	Clio	X98	6/2014	Today
RENAULT	Clio Van	X85	6/2014	Today
RENAULT	Clio Van	X98	7/2012	Today
RENAULT	Clio Van	X10, X98	3/2014	Today
RENAULT	Espace	J81	7/2002	Today
RENAULT	Espace	JFC	12/2014	Today
RENAULT	Espace (LCV)	J81	7/2002	Today
RENAULT	Espace (LCV)	JFC	7/2014	Today
RENAULT	Fluence	L38	10/2009	Today
RENAULT	Grand Espace	J81	7/2002	Today
RENAULT	Kadjar	HFE	1/2015	Today
RENAULT	Kangoo	X61	10/2007	Today
RENAULT	Kangoo	X61	6/2014	Today
RENAULT	Kangoo Passenger	X61	10/2007	Today
RENAULT	Koleos	H45	1/2014	Today
RENAULT	Koleos	H45	2/2008	12/2013
RENAULT	Laguna	LFD	1/2015	9/2021
RENAULT	Laguna	X74	12/2000	9/2007
RENAULT	Laguna	X91	10/2007	Today
RENAULT	Laguna (LCV)	X91	6/2007	Today
RENAULT	Laguna Coupé	D91	7/2014	Today
RENAULT	Laguna Coupé	D91	7/2008	6/2014
RENAULT	Latitude	L43	9/2010	Today
RENAULT	Master	X62	11/2009	Today
RENAULT	Master Passenger	X62	11/2009	Today
RENAULT	Megane	B32	11/2009	Today
RENAULT	Megane	B32, X95	5/2011	Today
RENAULT	Megane	BFB	1/2015	Today
RENAULT	Megane	BFB	4/2015	12/2021
RENAULT	Megane	X64	1/1997	10/2002
RENAULT	Megane	X84	11/2002	11/2008
RENAULT	Megane	X95	11/2008	Today
RENAULT	Megane Van	BFB	1/2015	Today
RENAULT	Megane Van	X84	3/2014	Today
RENAULT	Megane Van	X95	6/2014	Today
RENAULT	Scenic	J95	1/2015	Today
RENAULT	Scenic	J95	1/2009	Today
RENAULT	Scenic	J95	6/2003	10/2007
RENAULT	Scenic	J64	1/1997	6/2003
RENAULT	Scenic (LCV)	J95	2/2009	Today
RENAULT	Symbol/Thalia	L35 (R)	6/2014	Today
RENAULT	Symbol/Thalia	L52	4/2013	Today
RENAULT	Trafic	X82	3/2014	3/2026
RENAULT	Trafic Passenger	X82	3/2014	Today
RENAULT	Twingo	X07	3/2014	Today
RENAULT	Twingo	X44	1/2007	9/2016
RENAULT	Twingo Van	X07	10/2014	Today
RENAULT	Twingo Van	X44	3/2014	Today

Vehicle products



Manufacturer	Model	Generation	From	To
RENAULT	Vel Satis	X73	9/2001	11/2009
RENAULT	Zoe	X10	9/2012	Today
RENAULT	Zoe (LCV)	X10	6/2013	Today
ŠKODA	Citigo	SK120	10/2011	Today
ŠKODA	Fabia	SK250	6/2014	Today
ŠKODA	Fabia	SK260	11/2013	Today
ŠKODA	Fabia Van	SK250	6/2014	Today
ŠKODA	Fabia Van	SK260	11/2013	Today
ŠKODA	Octavia	SK351	6/2014	Today
ŠKODA	Octavia	SK371	11/2012	6/2019
ŠKODA	Octavia (LCV)	SK371	11/2012	Today
ŠKODA	Rapid	SK251/1	9/2012	4/2020
ŠKODA	Rapid Spaceback	SK253/1	10/2013	Today
ŠKODA	Roomster (LCV)	SK258	4/2006	Today
ŠKODA	Superb	SK481	11/2014	Today
ŠKODA	Superb (LCV)	SK461	3/2008	Today
ŠKODA	Yeti	SK316	6/2009	Today
ŠKODA	Yeti (LCV)	SK316	6/2009	Today
SMART	forfour	A453	7/2014	Today
SMART	Fortwo	A452	4/2014	3/2021
SMART	Fortwo	C453	3/2014	Today
SMART	Fortwo (LCV)	C453	8/2014	Today
SSANGYONG MOTOR	Actyon	C100	3/2014	Today
SSANGYONG MOTOR	Actyon Sports	Q150	3/2014	Today
SSANGYONG MOTOR	Actyon SUT	Q150	11/2014	Today
SSANGYONG MOTOR	Actyon SUT	Q100	3/2014	Today
SSANGYONG MOTOR	C-CUV	X100	5/2015	Today
SSANGYONG MOTOR	Korando	C200/AS11	8/2013	Today
SSANGYONG MOTOR	Korando	K150	3/2014	Today
SSANGYONG MOTOR	Korando C	C200/AS11	8/2013	Today
SSANGYONG MOTOR	Korando C (LCV)	C200/AS11	8/2013	Today
SSANGYONG MOTOR	Korando Sports	Q150	11/2014	Today
SSANGYONG MOTOR	Kyron	D100	6/2014	Today
SSANGYONG MOTOR	New Actyon	C200/AS11	6/2014	Today
SSANGYONG MOTOR	Nomad	Q150	2/2014	Today
SSANGYONG MOTOR	Rexton	Y200	5/2014	Today
SSANGYONG MOTOR	Rexton (LCV)	Y200	5/2014	Today
SSANGYONG MOTOR	Rexton SC	Y200	5/2014	Today
SSANGYONG MOTOR	Rodius	A100	5/2014	Today
SSANGYONG MOTOR	Rodius (LCV)	A100	5/2014	Today
SSANGYONG MOTOR	Tivoli	X100	1/2015	Today
SUBARU	BRZ	E88	1/2014	Today
TOYOTA	Alphard	480L	6/2014	Today
TOYOTA	Alphard	580A	5/2015	Today
TOYOTA	Auris	130A	6/2014	Today
TOYOTA	Auris	130L	6/2014	Today
TOYOTA	Auris (LCV)	130A	6/2014	Today
TOYOTA	Avalon	770N	3/2014	Today
TOYOTA	Avensis	312N	6/2014	Today
TOYOTA	Avensis	445L	6/2014	Today
TOYOTA	Avensis (LCV)	445L	6/2014	Today
TOYOTA	Camry	050A	6/2014	Today
TOYOTA	Camry	045L	3/2014	Today
TOYOTA	Corolla	079L, 140N, 340N	8/2013	Today
TOYOTA	Corolla	140A	1/2014	Today
TOYOTA	Corolla	366A	9/2013	Today
TOYOTA	Corolla	150A	10/2014	Today
TOYOTA	Corolla	150L, 252L	3/2014	Today
TOYOTA	Corolla	466A	3/2014	Today
TOYOTA	Dyna	U300-500	6/2014	Today
TOYOTA	Dyna	U600/C600	6/2014	Today
TOYOTA	Dyna	Dutro(2)	6/2014	Today
TOYOTA	Dyna	300-500, U600/C6	3/2014	Today
TOYOTA	Dyna	131N	3/2014	Today
TOYOTA	FJ Cruiser	155L	6/2014	Today
TOYOTA	GT 86	E88	6/2014	Today
TOYOTA	Hiace	550N	6/2014	Today
TOYOTA	Highlander	440A	10/2014	Today
TOYOTA	Highlander	397L	3/2014	Today
TOYOTA	Hilux	640A	10/2015	Today
TOYOTA	Hilux	669L	6/2014	Today
TOYOTA	IQ	630L	6/2014	Today
TOYOTA	Land Cruiser	215L	6/2014	Today
TOYOTA	Land Cruiser	611L	6/2014	Today
TOYOTA	Land Cruiser (LCV)	215L	6/2014	Today
TOYOTA	Land Cruiser Prado	611L	6/2014	Today

Vehicle products



Manufacturer	Model	Generation	From	To
TOYOTA	Land Cruiser V8	215L	6/2014	Today
TOYOTA	Previa	085X	10/2015	Today
TOYOTA	Prius	590L	6/2014	Today
TOYOTA	Prius	690A	8/2015	Today
TOYOTA	Prius (LCV)	590L	6/2014	Today
TOYOTA	Prius (LCV)	690A	9/2015	Today
TOYOTA	Prius Plus	030A	6/2014	Today
TOYOTA	RAV4	410A	1/2013	Today
TOYOTA	RAV4 (LCV)	120L	11/2005	12/2012
TOYOTA	RAV4 (LCV)	410A	3/2014	Today
TOYOTA	Sienna	580L	6/2014	Today
TOYOTA	Tundra	180L	6/2014	Today
TOYOTA	Tundra	480A/180L	3/2014	Today
TOYOTA	Urban Cruiser	260L	6/2014	Today
TOYOTA	Venza	470L	6/2014	Today
TOYOTA	Verso	151L, 595L	6/2014	Today
TOYOTA	Verso	595L	6/2014	Today
TOYOTA	Verso (LCV)	595L	6/2014	Today
TOYOTA	Verso-S	770L	6/2014	Today
TOYOTA	Verso-S (LCV)	770L	6/2014	Today
TOYOTA	Yaris	020L	3/2014	Today
TOYOTA	Yaris	850L	6/2014	Today
TOYOTA	Yaris (LCV)	850L	6/2014	Today
VOLKSWAGEN	Amarok	VN817	11/2009	12/2017
VOLKSWAGEN	Caravelle	VN750	12/2003	Today
VOLKSWAGEN	CC	VW464	6/2014	Today
VOLKSWAGEN	Crafter	VN830	4/2006	9/2017
VOLKSWAGEN	Crafter Combi	VN830	6/2014	Today
VOLKSWAGEN	Eos	VW465	2/2006	Today
VOLKSWAGEN	Golf	VW360	5/2014	Today
VOLKSWAGEN	Golf	VW370	8/2012	6/2018
VOLKSWAGEN	Golf (LCV)	VW370	8/2012	Today
VOLKSWAGEN	Golf Plus	VW379	2/2014	1/2019
VOLKSWAGEN	Golf Plus (LCV)	VW379	2/2014	Today
VOLKSWAGEN	Golf Sportsvan	VW379	3/2014	Today
VOLKSWAGEN	Golf Sportsvan (LCV)	VW379	4/2014	Today
VOLKSWAGEN	Golf SV	VW379	3/2014	Today
VOLKSWAGEN	Jetta	VW361	7/2010	Today
VOLKSWAGEN	New Beetle	VW324	8/2011	Today
VOLKSWAGEN	New Beetle Convertible	VW325	9/2012	Today
VOLKSWAGEN	Passat	VW471	8/2014	Today
VOLKSWAGEN	Passat	VW471	8/2010	7/2014
VOLKSWAGEN	Passat	VW481	7/2014	Today
VOLKSWAGEN	Passat (LCV)	VW481	7/2014	Today
VOLKSWAGEN	Passat CC	VW464	9/2014	Today
VOLKSWAGEN	Passat CC	VW464	5/2008	Today
VOLKSWAGEN	Phaeton	VW611	4/2002	5/2007
VOLKSWAGEN	Scirocco	VW364	6/2008	Today
VOLKSWAGEN	Scirocco (LCV)	VW364	6/2008	Today
VOLKSWAGEN	Sharan	VW428	6/2010	Today
VOLKSWAGEN	Sharan (LCV)	VW428	6/2010	Today
VOLKSWAGEN	Tiguan	VW316	5/2011	Today
VOLKSWAGEN	Tiguan (LCV)	VW316	8/2007	Today
VOLKSWAGEN	Touareg	VW516	10/2002	12/2006
VOLKSWAGEN	Touareg	VW526	8/2014	9/2017
VOLKSWAGEN	Touran	VW378	1/2015	Today
VOLKSWAGEN	Touran (LCV)	VW368	7/2010	Today
VOLKSWAGEN	Touran (LCV)	VW378	1/2015	Today
VOLKSWAGEN	Transporter	VN750	3/2003	3/2017
VOLKSWAGEN	Transporter	VN760	9/2015	Today
VOLKSWAGEN	Transporter Shuttle	VN750	6/2014	Today
VOLKSWAGEN	Transporter Shuttle	VN760	9/2015	Today
VOLKSWAGEN	Up!	VW120	8/2011	Today
VOLKSWAGEN	Up! (LCV)	VW120	8/2011	Today
VOLKSWAGEN	XL1	VW019	8/2013	Today
VOLVO	XC90	Y289	1/2015	Today
VOLVO	XC90	Y289	4/2002	12/2014
VOLVO	XC90 (LCV)	Y289	6/2014	Today

HUF IntelliSens Universal Sensor UVS02C4V21

Art.-No. 3590 5 2

Last update of the application list: October 2014
Changes are subject to alterations by the manufacturer.



3590 5 2

HXManufacturer	Model	From	To
AUDI	A4 / S4 / Avant / quattro	2004	2007
AUDI	A4 Cabrio	2006	2008
AUDI	A6	2004	2011
AUDI	A6 Allroad	2006	2011
AUDI	A6 Avant	2001	2009
AUDI	A6 Avant	2009	2011
AUDI	A8 / S8	11/2009	today
AUDI	Q7	2005	2009
AUDI	Q7	2009	2014
AUDI	R8	2006	2009
AUDI	R8	2009	2015
AUDI	R8 Spyder	2009	today
AUDI	RS4	2006	2008
AUDI	RS4 Avant	2006	2008
AUDI	RS6	1/2008	12/2010
AUDI	RS6	2/2013	today
AUDI	RS7 Sportback	2013	today
BENTLEY	Arnage	2008	10/2009
BENTLEY	Azure II	2007	2011
BENTLEY	Brooklands Coupé	2008	today
BENTLEY	Continental Flying Spur	2005	2010
BENTLEY	Continental Flying Spur	2010	today
BENTLEY	Continental GT	2005	2010
BENTLEY	Continental GT	2010	today
BENTLEY	Mulsanne	2010	today
BMW	6-Series	2006	2010
FERRARI	458 Italia (f142)	2009	2013
FERRARI	California (f149)	2008	2013
FERRARI	f12 berlinetta	2012	2018
FERRARI	f430 / f430 Spider (f131evo)	2007	2013
FERRARI	FF	2011	2019
LAMBORGHINI	Aventador	2011	2019
LAMBORGHINI	Gallardo	2007	2013
LAMBORGHINI	Murciélago	2007	2013
MASERATI	Coupé	7/2009	2015
MASERATI	Grand Turismo	8/2008	2013
MASERATI	Quattroporte III	1/2010	today
MASERATI	Quattroporte IV	1/2013	today
PORSCHE	911	12/2011	today
PORSCHE	911	4/2008	2011
PORSCHE	Boxster	2012	2/2016
PORSCHE	Boxster	2008	2011
PORSCHE	Cayenne	8/2009	5/2014
PORSCHE	Cayenne	2007	2010
PORSCHE	Cayman	2013	2016
PORSCHE	Cayman	2009	2013
PORSCHE	GT3	5/2009	today
PORSCHE	Panamera	2009	2013
ROLLS ROYCE	Cabrio	2009	2011
ROLLS ROYCE	Drophead Coupé	2009	2011
ROLLS ROYCE	Ghost	2009	2010
ROLLS ROYCE	Phantom	2007	2011
VOLKSWAGEN	Phaeton	6/2007	5/2010
VOLKSWAGEN	Phaeton	6/2010	today
VOLKSWAGEN	Touareg	1/2007	5/2010
VOLKSWAGEN	Touareg	1/2010	today

HUF IntelliSens Universal Sensor UVS09C4V21 / UVS09S4V21

Art.-No. 3590 5 3

Art.-No. 3590 5 4

Last update of the application list: October 2014

Changes are subject to alterations by the manufacturer.



Manufacturer	Model	From	To
BMW	5-series	3/2014	today
BMW	5-series	9/2010	2/2014
BMW	5-series Gran Turismo	3/2014	today
BMW	5-series Gran Turismo	9/2010	2/2014
BMW	6-series	2010	2013
BMW	6-series Cabrio	3/2011	2/2014
BMW	6-series Cabrio	3/2014	today
BMW	6-series Coupé	3/2011	2/2014
BMW	6-series Coupé	3/2014	today
BMW	6-series Gran Coupé	3/2011	2/2014
BMW	6-series Gran Coupé	3/2014	today
BMW	7-series	3/2014	today
BMW	7-series	9/2010	2/2014
BMW	M5 series	3/2014	today
BMW	M6 series	3/2014	today
BMW	M7 series	3/2014	today
BMW	X1	3/2014	today
BMW	X3	3/2014	today
BMW	Z4	3/2014	today
BUICK	Park Avenue	1997	2005
CADILLAC	CTS	8/2009	today
CADILLAC	CTS	6/2010	today
CADILLAC	Escalade	12/2005	today
CADILLAC	Escalade	1/2014	today
CADILLAC	SRX	7/2009	12/2015
CADILLAC	SRX	7/2009	12/2015
CADILLAC	SRX	6/2005	2/2009
CADILLAC	XTS	5/2012	3/2018
CHEVROLET	Aveo	11/2010	5/2018
CHEVROLET	Aveo (LCV)	11/2010	today
CHEVROLET	Captiva (LCV)	6/2006	5/2014
CHEVROLET	Cobalt	3/2013	today
CHEVROLET	Cruze	6/2014	today
CHEVROLET	Cruze	10/2008	3/2014
CHEVROLET	Cruze	6/2014	today
CHEVROLET	Express	7/2002	2013
CHEVROLET	Matiz	6/2014	today
CHEVROLET	Orlando	9/2010	12/2017
CHEVROLET	Silverado	2014	2014
CHEVROLET	Spark	7/2009	6/2015
CHEVROLET	Suburban	3/2006	7/2008
CHEVROLET	Traverse	2010	2012
CHEVROLET	Trax	3/2012	12/2017
CHRYSLER	300	1/2011	6/2016
CHRYSLER	300C	6/2014	today
CHRYSLER	Grand Voyager	1/2011	9/2017
CHRYSLER	Sebring	2006	2010
CHRYSLER	Town & Country	2011	today
CHRYSLER	Voyager	2007	2010
DAEWO	Gentra	8/2013	today
DAEWO	Nexia	6/2014	today
DOGE	1500	2010	2013
DOGE	2500	2010	2013
DOGE	3500	2010	2013
DOGE	Challenger	2008	2009
DOGE	Challenger	1/2010	7/2017
DOGE	Charger	12/2010	9/2014
DOGE	Durango	11/2010	12/2016
DOGE	Grand Caravan	6/2011	5/2017
DOGE	Journey	1/2011	6/2014
DOGE	Ram	1/2010	12/2012
DOGE	Viper	8/2013	6/2015
FIAT	Freemont	3/2011	6/2014
FORD	B-MAX	6/2014	1/2019

Vehicle products



Manufacturer	Model	From	To
FORD	C-MAX	4/2014	12/2016
FORD	C-MAX (LCV)	8/2010	today
FORD	EcoSport	7/2012	9/2014
FORD	Escape	4/2012	6/2017
FORD	Explorer	2013	2015
FORD	Fiesta	5/2014	12/2015
FORD	Fiesta Van	6/2014	12/2016
FORD	Focus	5/2014	6/2017
FORD	Focus (LCV)	12/2010	today
FORD	F-Series	9/2008	today
FORD	Kuga	11/2012	9/2019
FORD	Kuga (LCV)	11/2012	today
FORD	Mondeo	10/2014	12/2019
FORD	Mustang	9/2004	4/2014
FORD	Tourneo Connect	7/2014	today
FORD	Tourneo Courier	3/2014	9/2014
FORD	Tourneo Custom	4/2013	today
FORD	Transit	6/2013	3/2021
FORD	Transit Combi	6/2013	3/2021
FORD	Transit Combi	6/2013	3/2021
FORD	Transit Connect	7/2014	today
FORD	Transit Courier	3/2014	9/2014
FORD	Transit Custom	4/2013	today
GMC	Sierra	4/2013	6/2019
GMC	Yukon	12/2005	12/2013
HUMMER	H2	2002	2008
HUMMER	H3	3/2005	1/2012
JEEP	Grand Cherokee	2011	2016
JEEP	Grand Cherokee	2007	2010
JEEP	Wrangler	2010	2016
LANCIA	Thema	1/2011	today
LANCIA	Voyager	1/2011	10/2015
LANCIA	Voyager (LCV)	1/2011	today
LINCOLN	Navigator	2011	2014
LOTUS CARS	Elise	1/2008	2014
LOTUS CARS	Evora S	1/2010	2014
LOTUS CARS	Exige S	1/2008	2014
MAZDA	BT-50	5/2011	today
MERCEDES-BENZ	A-Class	2012	2013
MERCEDES-BENZ	A-Class	2014	2019
MERCEDES-BENZ	B-Class	2012	2013
MERCEDES-BENZ	B-Class	2014	2018
MERCEDES-BENZ	CLA-Class	2013	2013
MERCEDES-BENZ	CLA-Class	2014	2014
MERCEDES-BENZ	Class C	2012	2013
MERCEDES-BENZ	Class C	2014	2016
MERCEDES-BENZ	Class C Coupé	2014	today
MERCEDES-BENZ	Class CL	2012	2013
MERCEDES-BENZ	Class CL	2014	today
MERCEDES-BENZ	Class CLK	2012	2013
MERCEDES-BENZ	Class CLK	2014	today
MERCEDES-BENZ	Class CLS	2012	2013
MERCEDES-BENZ	Class CLS	2014	2017
MERCEDES-BENZ	Class E	2012	2013
MERCEDES-BENZ	Class E	2014	today
MERCEDES-BENZ	Class G	2012	201
MERCEDES-BENZ	Class G	2014	today
MERCEDES-BENZ	Class GL	2012	2012
MERCEDES-BENZ	Class GL	2013	today
MERCEDES-BENZ	Class GLK	2012	2013
MERCEDES-BENZ	Class GLK	2014	2016
MERCEDES-BENZ	Class M	2012	2012
MERCEDES-BENZ	Class M	2014	2016
MERCEDES-BENZ	Class R	2012	2013
MERCEDES-BENZ	Class R	2014	2016
MERCEDES-BENZ	Class S	2012	2013
MERCEDES-BENZ	Class S	2014	2020
MERCEDES-BENZ	Class SL	2012	2013
MERCEDES-BENZ	Class SL	2014	2016
MERCEDES-BENZ	Class SLK	2012	2013
MERCEDES-BENZ	Class SLK	2014	2017
MERCEDES-BENZ	Class SLS	2012	2013
MERCEDES-BENZ	Class SLS	2014	2016
MERCEDES-BENZ	Sprinter	2012	2013
MERCEDES-BENZ	Sprinter	2014	2016
MINI	MINI Cabrio	7/2014	today

Vehicle products



Manufacturer	Model	From	To
MINI	MINI Countryman	7/2014	today
MINI	MINI Coupé	7/2014	today
MINI	MINI Paceman	7/2014	today
MINI	MINI Roadster	7/2014	today
OPEL	Antara	8/2006	11/2010
OPEL	Antara	11/2010	5/2017
OPEL	Antara (LCV)	8/2006	today
OPEL	Mokka	2014	2016
OPEL	Signum	2002	2009
OPEL	Vectra B	1/2002	9/2008
OPEL	Vectra Estate	2005	2009
PORSCHE	Cayenne	5/2014	today
PORSCHE	Macan	11/2013	2020
PORSCHE	Panamera	4/2013	2019
ROLLS ROYCE	Ghost	2010	today
ROLLS ROYCE	Phantom	2012	today
SAAB	9,3	2003	2006
SAAB	9,3	2006	2009
SAAB	9.4 X	2011	2013
SAAB	9,5	2002	2006
SAAB	9,5	2006	2009
SMART	For Two	2007	2014
SMART	For Two Cabrio	2012	2014
SMART	For Two Coupé	12/2012	3/2014
VAUXHALL MOTORS	Antara	2013	2017
VAUXHALL MOTORS	Vectra B	2002	2002
VAUXHALL MOTORS	Vectra C	2003	2008
VAUXHALL MOTORS	Vectra Estate	2005	2009
VAUXHALL MOTORS	Zafira B	1/2009	6/2011
VOLKSWAGEN	CC	11/2011	today
VOLKSWAGEN	Passat	8/2010	today
VOLKSWAGEN	Passat	1/2014	today
VOLKSWAGEN	Passat CC	5/2008	today
VOLKSWAGEN	Tiguan	5/2011	today

HUF IntelliSens Universal Sensor UVS4020 / UVS4021

Art.-No. 3590 6 1

Art.-No. 3590 6 2

Last update of the application list: January 2016

Changes are subject to alterations by the manufacturer.



Manufacturer	Model	Modelvariante	From	To
ALFA ROMEO	4C		2013	2014
ALFA ROMEO	Giulietta		2012	2014
ALFA ROMEO	MiTo		08/2013	Today
ALFA ROMEO	MiTo Quadrifoglio Verde		2008	Today
AUDI	A6	(4F2, C6)	07/2017	Today
AUDI	A8 / S8	(4H_, D4)	11/2016	Today
AUDI	Q7	(4L)	01/2015	Today
BMW	1-series	(F20) (F21)	03/2014	Today
BMW	2-series	(F22) (F23)	03/2014	Today
BMW	2-series Gran Tourer		03/2014	Today
BMW	3-series	(F30) (F31)	03/2014	Today
BMW	3-series Gran Turismo	(F34)	03/2014	Today
BMW	4-series Cabrio	(F33)	03/2014	Today
BMW	4-series Coupé	(F32)	03/2014	Today
BMW	4-series Gran Coupé	(F36)	03/2014	Today
BMW	5-series	(F10) (F11)	03/2014	Today
BMW	5-series	(F10) (F11)	09/2010	02/2014
BMW	5-series Gran Turismo	(F07)	03/2014	Today
BMW	5-series Gran Turismo	(F07)	09/2010	02/2014
BMW	6-series		2010	2013
BMW	6-series Cabrio	(F12)	03/2011	02/2014
BMW	6-series Cabrio	(F12)	03/2014	Today
BMW	6-series Coupé	(F13)	03/2011	02/2014
BMW	6-series Coupé	(F13)	03/2014	Today
BMW	6-series Gran Coupé	(F06)	03/2011	02/2014
BMW	6-series Gran Coupé	(F06)	03/2014	Today
BMW	7-series	(F01, F02, F03, F04)	03/2014	Today
BMW	7-series	(F01, F02, F03, F04)	09/2010	02/2014
BMW	i3	(I01)	09/2013	Today
BMW	i8	(I12)	01/2014	Today
BMW	M5 Series	(F10)	03/2014	Today
BMW	M6 Series	(F12)	03/2014	Today
BMW	X1	(E84)	03/2014	Today
BMW	X3	(F25)	03/2014	Today
BMW	X4	(F26)	05/2013	Today
BMW	X5	(F15)	05/2013	Today
BMW	X6	(F16)	11/2014	Today
BMW	Z4	(E89)	03/2014	Today
BUICK	Park Avenue		1997	2005
CADILLAC	CTS	GMX206	08/2009	05/2010
CADILLAC	CTS	GMX226	06/2010	Today
CADILLAC	Escalade	GMT926	12/2005	12/2013
CADILLAC	Escalade	K2UL	01/2014	Today
CADILLAC	SRX	GMT166	07/2009	12/2015
CADILLAC	SRX	GMT265	06/2005	06/2009
CADILLAC	XTS	P1LL	05/2012	Today
CHEVROLET	Aveo	G1SC	11/2010	Today
CHEVROLET	Aveo (LCV)	G1JC	11/2010	Today
CHEVROLET	Captiva (LCV)	C100	06/2006	05/2014
CHEVROLET	Cobalt	G1LC	03/2013	Today
CHEVROLET	Corvette		02/2013	Today
CHEVROLET	Cruze	D1JC	06/2014	Today
CHEVROLET	Cruze	D1SC	10/2008	05/2014
CHEVROLET	Cruze	D1WC	06/2014	Today
CHEVROLET	Express	GMT610	07/2002	2013
CHEVROLET	Malibu	V300	07/2011	Today
CHEVROLET	Matiz	M100	06/2014	Today
CHEVROLET	Orlando	J309	09/2010	Today
CHEVROLET	Silverado		2014	2014
CHEVROLET	Spark	M1JC	07/2009	06/2015
CHEVROLET	Suburban	GMT931	03/2006	07/2008
CHEVROLET	Traverse		2010	2012
CHEVROLET	Trax	G1UC	03/2012	Today
CHEVROLET	Volt	D1JCI	11/2010	05/2015

Vehicle products



Manufacturer	Model	Generation	From	
CHRYSLER	300	LX	01/2011	Today
CHRYSLER	300 C		2006	2010
CHRYSLER	300C	LX	06/2014	Today
CHRYSLER	Grand Voyager	RT	01/2011	Today
CHRYSLER	Sebring		2006	2010
CHRYSLER	Town & Country		2011	Today
CHRYSLER	Voyager		2007	2010
CITROËN	Aircross C4		04/2012	Today
CITROËN	C4	B5	06/2004	09/2010
CITROËN	C5 II	X3/X40	06/2004	12/2007
CITROËN	C5 III	X7	10/2007	08/2013
CITROËN	C6	X6	09/2005	12/2012
CITROËN	C8	V3	06/2004	06/2014
CITROËN	Nemo	225	10/2007	12/2015
CITROËN	Nemo Multispace	225	10/2007	Today
DACIA	Dokker		2014	2015
DACIA	Dokker Expres		2014	2015
DACIA	Dokker Van		2014	2015
DACIA	Duster	H79	02/2010	Today
DACIA	Duster Pro		2014	2015
DACIA	Lodgy	J92	01/2012	Today
DACIA	Logan	L52	11/2012	Today
DACIA	Logan MCV	K52	04/2013	Today
DACIA	Sandero	B52	10/2012	Today
DACIA	Sandero Pro	B52	10/2012	Today
DACIA	Sandero Stepway		2014	Today
DAEWO	Genra	J200	08/2013	Today
DAEWO	Nexia	T-CAR	06/2014	Today
DOGE	1500		2010	2013
DOGE	2500		2010	2013
DOGE	3500		2010	2013
DOGE	Avenger		2006	2007
DOGE	Caliber		2008	2010
DOGE	Challenger		2008	12/2009
DOGE	Challenger	LC22	01/2010	Today
DOGE	Charger	LD	12/2010	09/2014
DOGE	Dakota		2009	2009
DOGE	Durango	WD75	11/2010	Today
DOGE	Grand Caravan	RT	06/2011	Today
DOGE	Journey	JC49	01/2011	06/2014
DOGE	Nitro		2008	2009
DOGE	Ram	DS	01/2010	12/2012
DOGE	Viper	ZD	08/2013	06/2015
FIAT	500 (LCV)	312	05/2007	Today
FIAT	500L	330	07/2012	Today
FIAT	500L Living			Today
FIAT	500L Trekking			Today
FIAT	Doblo		2009	2014
FIAT	Fiorino		2013	2014
FIAT	Freemont	JF	03/2011	06/2014
FIAT	Freemont (LCV)	JF	03/2011	Today
FIAT	Linea	200	03/2007	Today
FIAT	Professional		01/2016	Today
FIAT	Qubo	225	10/2007	Today
FIAT	Sedici		06/2014	Today
FIAT	Strada	178	09/1998	12/2015
FIAT	Ulysse Nuovo	V1	10/2005	10/2010
FORD	B-MAX	B232	06/2014	Today
FORD	C-MAX	C344	04/2014	Today
FORD	C-MAX (LCV)	C344	08/2010	Today
FORD	EcoSport	B515	07/2012	09/2014
FORD	Edge		09/2015	Today
FORD	Escape	C520	04/2012	Today
FORD	Explorer		2013	2015
FORD	Fiesta	B299	05/2014	12/2015
FORD	Fiesta Van	B299	06/2014	Today
FORD	Focus	C346	05/2014	Today
FORD	Focus (LCV)	C346	12/2010	Today
FORD	F-Series	P415	09/2008	Today
FORD	Galaxy		02/2015	Today
FORD	Galaxy	CD340	01/2006	12/2014
FORD	Galaxy (LCV)	CD340	01/2006	Today
FORD	Kuga	C520	11/2012	Today
FORD	Kuga (LCV)	C520	11/2012	Today
FORD	Mondeo	CD345	01/2007	10/2014
FORD	Mondeo	CD391	10/2014	Today

Vehicle products



Manufacturer	Model	Generation	From	To
FORD	Mondeo (LCV)	CD345	01/2007	10/2014
FORD	Mustang	S197	03/2015	Today
FORD	Mustang	S197	09/2004	04/2014
FORD	Ranger		01/2015	Today
FORD	S-MAX		02/2015	Today
FORD	S-MAX	CD340	02/2006	12/2014
FORD	S-MAX (LCV)	CD340	02/2006	Today
FORD	Tourneo Connect	V408	07/2014	Today
FORD	Tourneo Courier	B460	03/2014	09/2014
FORD	Tourneo Custom	V362	04/2013	Today
FORD	Transit	V363	06/2013	Today
FORD	Transit Combi	V348,V363	06/2013	Today
FORD	Transit Combi	V363	06/2013	Today
FORD	Transit Connect	V408	07/2014	Today
FORD	Transit Courier	B460	03/2014	09/2014
FORD	Transit Custom	V362	04/2013	Today
FORD	Vignale		01/2015	Today
GMC	Sierra	K2XG	04/2013	Today
GMC	Yukon	GMT922	12/2005	12/2013
HUMMER	H2		2002	2008
HUMMER	H3	GMT345	03/2005	01/2012
HYUNDAI	Accent	RB	03/2014	Today
HYUNDAI	Genesis	DH	01/2014	Today
HYUNDAI	i10	IA	11/2013	Today
HYUNDAI	i10	IA, PA	10/2007	10/2013
HYUNDAI	i10 (LCV)	PA	03/2014	Today
HYUNDAI	i20	GB, IB	11/2014	Today
HYUNDAI	i20	PB	10/2008	06/2014
HYUNDAI	i20 (LCV)	PB	01/2000	Today
HYUNDAI	i30	FD	10/2007	01/2013
HYUNDAI	i30	GD	10/2011	Today
HYUNDAI	i30 (LCV)	GD	10/2011	Today
HYUNDAI	i40 (High Line)	VF	04/2011	Today
HYUNDAI	i40 (LCV) (High Line)	VF	04/2011	Today
HYUNDAI	ix20	JC12	05/2013	Today
HYUNDAI	ix20	JC12	11/2010	09/2013
HYUNDAI	ix20 (LCV)	JC	11/2010	09/2013
HYUNDAI	ix35		2010	2014
HYUNDAI	ix35 (High Line)	LM	03/2014	Today
HYUNDAI	ix35 (LCV)	LM	03/2014	Today
HYUNDAI	ix35 (Low Line)	LM	03/2014	Today
HYUNDAI	ix55		08/2012	Today
HYUNDAI	ix55	EN	10/2006	2013
HYUNDAI	Santa Fe	CM	12/2005	07/2012
HYUNDAI	Santa Fe	DM	04/2012	Today
HYUNDAI	Santa Fe (LCV)	DM	03/2014	Today
HYUNDAI	Solaris	RB	03/2014	Today
HYUNDAI	Sonata	YF	03/2014	Today
HYUNDAI	Tucson		11/2013	09/2015
HYUNDAI	Tucson (High Line)		11/2013	09/2015
HYUNDAI	Tucson	TL	10/2015	Today
HYUNDAI	Veloster	FS	02/2011	Today
HYUNDAI	Veracruz		2008	2012
INFINITI	EX	P53B	10/2007	Today
INFINITI	FX	P53C	03/2009	08/2014
INFINITI	G	L53A	08/2006	03/2013
INFINITI	M	L53E	12/2009	Today
INFINITI	Q50	D53H	04/2013	Today
INFINITI	Q60	L53A	11/2013	Today
INFINITI	Q70	L53E	11/2013	Today
INFINITI	QX50	P53B	06/2014	Today
INFINITI	QX60	P42J	04/2014	Today
INFINITI	QX70	P53C	06/2014	Today
INFINITI	QX80	Z62	01/2014	Today
JEEP	Cherokee		03/2014	Today
JEEP	Grand Cherokee		2002	2004
JEEP	Grand Cherokee		2011	Today
JEEP	Grand Cherokee	Grand Cherokee IV	2007	2010
JEEP	Wrangler		2008	2009
JEEP	Wrangler		2010	Today
KIA	Cadenza	VG	10/2013	Today
KIA	Carens	RP	12/2012	Today
KIA	Carens (LCV)	RP	03/2014	Today
KIA	Ceed		2013	2013
KIA	Ceed		2014	Today
KIA	Ceed	ED	12/2006	03/2012

Vehicle products



Manufacturer	Model	Generation	From	To
KIA	Ceed	JD	03/2012	2013
KIA	Ceed (LCV)	JD	03/2014	Today
KIA	Cerato	TD	06/2014	Today
KIA	Cerato	YD	03/2013	Today
KIA	New Carens	RP	06/2013	Today
KIA	Optima		2015	Today
KIA	Optima	TF	09/2011	Today
KIA	Picanto	TA	06/2014	Today
KIA	Picanto (LCV)	TA	06/2014	Today
KIA	Rio	QB	01/2000	Today
KIA	Rio (High Line)	QB	07/2014	Today
KIA	Rio (Low Line)	QB	07/2014	Today
KIA	Sorento		2015	Today
KIA	Sorento	XM	11/2009	12/2014
KIA	Sorento (LCV)	XM	03/2014	Today
KIA	Soul	PS	11/2013	Today
KIA	Soul	PS	2009	11/2013
KIA	Soul (LCV)	PS	10/2013	Today
KIA	Sportage (LCV)	SL	03/2014	Today
KIA	Sportage (Low Line)	SL	10/2013	Today
KIA	Venga		2015	Today
KIA	Venga (LCV)	YN	10/2008	Today
LANCIA	Flavia	JS	02/2014	Today
LANCIA	Flavia	JS27	10/2010	2014
LANCIA	Thema	LX	01/2011	Today
LANCIA	Voyager	RT	02/2011	10/2015
LANCIA	Voyager	RT, RU	01/2011	10/2015
LANCIA	Voyager (LCV)	RT	01/2011	Today
LEXUS	GS		2012	Today
LEXUS	IS		06/2013	Today
LEXUS	NX		08/2014	Today
LINCOLN	Navigator		2011	2014
LOTUS CARS	Elise	Monza	01/2008	2014
LOTUS CARS	Evora S	Eagle	01/2010	2014
LOTUS CARS	Exige S	Monza	01/2008	2014
MASERATI	Ghibli	M157	11/2013	Today
MASERATI	Levante	WM	04/2015	Today
MAZDA	2		2007	02/2015
MAZDA	3		2009	2014
MAZDA	5		2010	2014
MAZDA	6		2007	2014
MAZDA	B-Series	J26E	06/2015	Today
MAZDA	BT-50	J26E	05/2011	Today
MAZDA	CX-7	J31H	10/2009	Today
MAZDA	CX-9		2014	Today
MAZDA	MX-5	J04C	06/2005	03/2015
MERCEDES-BENZ	A-Class		2012	2013
MERCEDES-BENZ	A-Class		2014	Today
MERCEDES-BENZ	B-Class		2011	2011
MERCEDES-BENZ	B-Class		2012	2013
MERCEDES-BENZ	B-Class		2014	Today
MERCEDES-BENZ	C-Class		2012	2013
MERCEDES-BENZ	C-Class	W205	2014	Today
MERCEDES-BENZ	C-Class Coupé		2014	Today
MERCEDES-BENZ	Citan		2012	2014
MERCEDES-BENZ	CLA-Class		2013	2013
MERCEDES-BENZ	CLA-Class		2014	2014
MERCEDES-BENZ	CLA-Class	C117	2014	Today
MERCEDES-BENZ	CL-Class		2009	2011
MERCEDES-BENZ	CL-Class		2012	2013
MERCEDES-BENZ	CL-Class		2014	Today
MERCEDES-BENZ	CLK-Class		2007	2011
MERCEDES-BENZ	CLK-Class		2014	Today
MERCEDES-BENZ	CLS-Class		08/2009	2011
MERCEDES-BENZ	CLS-Class		2012	2013
MERCEDES-BENZ	CLS-Class		2014	Today
MERCEDES-BENZ	E-Class		07/2009	2011
MERCEDES-BENZ	E-Class		2012	2013
MERCEDES-BENZ	E-Class	(W212)	2014	10/2015
MERCEDES-BENZ	E-Class	W212	11/2015	Today
MERCEDES-BENZ	G-Class		2010	2011
MERCEDES-BENZ	G-Class		2012	2013
MERCEDES-BENZ	G-Class		2014	Today
MERCEDES-BENZ	GLA-Class	X156	2014	Today
MERCEDES-BENZ	GL-Class		2010	2011
MERCEDES-BENZ	GL-Class		2012	2012

Vehicle products



Manufacturer	Model	Generation	From	To
MERCEDES-BENZ	GL-Class		2013	Today
MERCEDES-BENZ	GLK-Class		2012	2013
MERCEDES-BENZ	GLK-Class		2014	Today
MERCEDES-BENZ	M-Class		2010	2011
MERCEDES-BENZ	M-Class	(W164)	2012	2012
MERCEDES-BENZ	M-Class	(W164)	2014	Today
MERCEDES-BENZ	R-Class		2010	2011
MERCEDES-BENZ	R-Class		2012	2013
MERCEDES-BENZ	S-Class		2012	2013
MERCEDES-BENZ	S-Class	(W221)	2010	2011
MERCEDES-BENZ	S-Class	(W222)	2014	Today
MERCEDES-BENZ	SL-Class		2012	2013
MERCEDES-BENZ	SL-Class		2014	Today
MERCEDES-BENZ	SLK-Class		2010	2011
MERCEDES-BENZ	SLK-Class		2012	2013
MERCEDES-BENZ	SLK-Class		2014	Today
MERCEDES-BENZ	SLS-Class		2010	2011
MERCEDES-BENZ	SLS-Class		2012	2014
MERCEDES-BENZ	Sprinter		2011	2011
MERCEDES-BENZ	Sprinter		2012	2013
MERCEDES-BENZ	Sprinter		2014	Today
MERCEDES-BENZ	V-Class		2014	Today
MERCEDES-BENZ	Viano		2014	Today
MINI	Roadster	(R59)	07/2014	Today
MINI	Cabrio	(R57)	07/2014	Today
MINI	Clubman	(F55)	11/2013	Today
MINI	Countryman	(R60)	07/2014	Today
MINI	Coupé	(R58)	07/2014	Today
MINI	Hatchback	(F56)	11/2013	Today
MINI	Paceman	(R61)	07/2014	Today
MITSUTOHI MOTORS	ASX	ZC	06/2014	Today
MITSUTOHI MOTORS	ASX (LCV)	ZC	06/2014	Today
MITSUTOHI MOTORS	Attrange	EL-L	03/2014	Today
MITSUTOHI MOTORS	i-MiEV	TQ	06/2014	Today
MITSUTOHI MOTORS	L200	CR	06/2014	Today
MITSUTOHI MOTORS	Lancer	GS41	06/2014	Today
MITSUTOHI MOTORS	Outlander	RE	06/2014	Today
MITSUTOHI MOTORS	Outlander (LCV)	RE	06/2014	Today
NISSAN	307Z	RC53D	03/2009	Today
NISSAN	Almera		05/2013	Today
NISSAN	Cabstar		2006	Today
NISSAN	C-Hatch		10/2014	Today
NISSAN	Cube	X12B	10/2008	09/2014
NISSAN	Evalia		03/2014	Today
NISSAN	Juke		05/2010	09/2015
NISSAN	Juke		10/2015	Today
NISSAN	Juke (LCV)		05/2010	09/2015
NISSAN	Leaf	B12G	2013	Today
NISSAN	Murano	P42D	10/2007	03/2015
NISSAN	Navara	H60A	01/2015	Today
NISSAN	Navara	H61B	10/2004	10/2014
NISSAN	Note		2013	2014
NISSAN	Note (LCV)		03/2012	Today
NISSAN	NVP300		01/2015	Today
NISSAN	Pathfinder		06/2013	06/2015
NISSAN	Pathfinder		06/2015	Today
NISSAN	Pathfinder (LCV)		06/2013	Today
NISSAN	Pixo	YC5	01/2009	12/2014
NISSAN	Primastar		2014	Today
NISSAN	Qashqai		2013	Today
NISSAN	Qashqai (LCV)		12/2013	Today
NISSAN	Titan		10/2003	08/2004
NISSAN	X-Trail		11/2013	Today
NISSAN	X-Trail (LCV)		11/2013	Today
OPEL	Adam	GM4403	01/2013	07/2014
OPEL	Adam	GM4403	08/2014	08/2015
OPEL	Adam (LCV)	GM4403	03/2014	Today
OPEL	Ampera	D1JOI	09/2011	12/2015
OPEL	Antara	C105	01/2015	Today
OPEL	Antara	C105	08/2006	11/2010
OPEL	Antara	C105	11/2010	12/2014
OPEL	Antara (LCV)	C105	08/2006	Today
OPEL	Astra GTC		06/2014	Today
OPEL	Astra H	GM A3300	01/2004	12/2010
OPEL	Astra J	GM P3400	06/2014	Today
OPEL	Astra J	GM P3400	09/2011	05/2014

Vehicle products



Manufacturer	Model	Generation	From	To
OPEL	Astra J	GM P3400	10/2009	09/2011
OPEL	Astra Van	D2JO, GM, P3400	01/2013	05/2014
OPEL	Astra Van	GM P3400	06/2014	Today
OPEL	Cascada	D1AO	01/2013	05/2014
OPEL	Cascada	D1AO	06/2014	2015
OPEL	Combo D		06/2014	Today
OPEL	Corsa C		2006	2006
OPEL	Corsa D		2007	11/2014
OPEL	Corsa D OPC		06/2014	11/2014
OPEL	Corsa E	GM 4530	10/2014	Today
OPEL	Corsa Van		2015	Today
OPEL	Insignia	GM G3700	09/2011	04/2014
OPEL	Insignia	GM G3700	10/2008	09/2011
OPEL	Insignia	GM3700	05/2014	2015
OPEL	Karl		2015	Today
OPEL	Meriva	GM S4470	08/2014	Today
OPEL	Mokka	G1UO	06/2012	Today
OPEL	Movano		2010	Today
OPEL	Movano B		2014	Today
OPEL	Movano Combi		2010	Today
OPEL	Signum		2002	2009
OPEL	Vectra B	GM Z3200	01/2002	09/2008
OPEL	Vectra Estate		2005	2009
OPEL	Vivaro B	X82	09/2014	Today
OPEL	Zafira B		06/2014	11/2014
OPEL	Zafira B	GM A3370	07/2005	06/2014
OPEL	Zafira C	GM A3370	06/2011	Today
OPEL	Zafira Tourer C		06/2014	2015
OPEL	Zafira Tourer C		2009	05/2014
PEUGEOT	1007		2005	2009
PEUGEOT	207		11/2005	09/2013
PEUGEOT	307		01/2003	03/2007
PEUGEOT	4008	J3	06/2014	Today
PEUGEOT	4008 (LCV)	J3	06/2014	Today
PEUGEOT	407		01/2004	12/2010
PEUGEOT	407 Coupé		2004	2010
PEUGEOT	407 SW		2004	2011
PEUGEOT	508		09/2010	09/2013
PEUGEOT	508 RHX		01/2012	09/2013
PEUGEOT	607 II	Z8	10/2004	03/2009
PEUGEOT	807		10/2004	06/2014
PEUGEOT	Boxer		12/2013	Today
PEUGEOT	Boxer Combi	X2/50	12/2013	Today
PEUGEOT	iOn	J3	06/2014	Today
PEUGEOT	iOn (LCV)	J3	06/2014	Today
PORSCHE	911	(991)	09/2015	Today
PORSCHE	Cayenne	(955-92A)(E2II)	05/2014	Today
PORSCHE	GT3	(997-2)	01/2017	Today
PORSCHE	Macan	(95B)	11/2013	Today
PORSCHE	Panamera	(970)	04/2013	Today
RENAULT	Captur	J87	01/2013	Today
RENAULT	Clio	X65	06/2014	Today
RENAULT	Clio	X98	06/2014	Today
RENAULT	Clio Van	X98	06/2014	Today
RENAULT	Espace V	CMF1	2015	Today
RENAULT	Kadjar	CMF1	2015	Today
RENAULT	Kangoo	X61	10/2007	Today
RENAULT	Kangoo Passenger	X61	10/2007	Today
RENAULT	Koleos	H45	02/2008	12/2015
RENAULT	Koleos (LCV)	H45	02/2008	Today
RENAULT	Master	X62	11/2009	Today
RENAULT	Master Passenger	X62	11/2009	Today
RENAULT	Megane	X84	09/2002	12/2007
RENAULT	Scenic	J95	06/2003	12/2014
RENAULT	Symbol/Thalia	L52	04/2013	Today
RENAULT	Trafic	X82	03/2014	Today
RENAULT	Trafic Passenger	X82	03/2014	Today
RENAULT	Twingo	X07	03/2014	Today
RENAULT	Twingo	X44	01/2007	Today
RENAULT	Wind	X33	06/2010	Today
ROLLS ROYCE	Ghost	(RR04)	2010	Today
ROLLS ROYCE	Phantom		2012	Today
SAAB	9.3		2003	2006
SAAB	9.3		2006	2009
SAAB	9.3		2009	2012
SAAB	9.4 X		2011	2013

Vehicle products



Manufacturer	Model	Generation	From	To
SAAB	9.5		2002	2006
SAAB	9.5		2006	2009
SAAB	9.5		2009	2012
SSANGYONG MOTOR	Tivoli		01/2015	Today
SMART	fortwo	A451	2007	2014
SMART	fortwo	A453	07/2014	Today
SMART	fortwo Cabrio	A451	2012	2014
SMART	fortwo Coupé	C451	12/2012	03/2014
SMART	forfour	W453	07/2014	Today
Suzuki	Grand Vitara		11/2015	Today
Suzuki	Jimny		06/2014	Today
Suzuki	Swift	YP6	06/2014	Today
Suzuki	Swift	YP6, YP7	06/2014	Today
Suzuki	SX4	YY1	06/2014	Today
Suzuki	SX4	YY1, YY3	06/2014	Today
Suzuki	SX4 S-Cross	YYA	11/2013	Today
Suzuki	SX4 S-Cross (LCV)	YYA	11/2013	Today
Suzuki	Vitara		05/2015	Today
TOYOTA	Alphard	480L	06/2014	Today
TOYOTA	Auris	130A	06/2014	Today
TOYOTA	Auris (LCV)	130A	06/2014	Today
TOYOTA	Avensis	445L	06/2014	Today
TOYOTA	Avensis (LCV)	445L	06/2014	Today
TOYOTA	Aygo (LCV)	200A/201A	09/2014	Today
TOYOTA	Camry	050A	06/2014	Today
TOYOTA	Corolla	140A	01/2014	Today
TOYOTA	Corolla	150A	10/2014	Today
TOYOTA	Corolla	366A	09/2013	Today
TOYOTA	Prius	590L	06/2014	Today
TOYOTA	RAV4	410A	11/2012	Today
TOYOTA	Verso		2014	Today
TOYOTA	Verso S	770L	06/2014	Today
TOYOTA	Yaris	850L	06/2014	Today
VAUXHALL MOTORS	Ampera		2011	2014
VAUXHALL MOTORS	Antara		2013	Today
VAUXHALL MOTORS	Astra H		2004	2009
VAUXHALL MOTORS	Astra J		2009	2014
VAUXHALL MOTORS	Insignia		2008	2014
VAUXHALL MOTORS	Movano		2014	Today
VAUXHALL MOTORS	Vectra B		2002	2002
VAUXHALL MOTORS	Vectra C		2003	2008
VAUXHALL MOTORS	Vectra Estate		2005	2009
VAUXHALL MOTORS	Vivaro		2014	Today
VAUXHALL MOTORS	Zafira B		01/2009	06/2011
VAUXHALL MOTORS	Zafira B		06/2011	Today
VAUXHALL MOTORS	Zafira Tourer C		09/2011	Today
VOLKSWAGEN	CC	(358)	11/2011	Today
VOLKSWAGEN	Crafter		10/2009	Today
VOLKSWAGEN	Passat	(B7)	08/2010	2014
VOLKSWAGEN	Passat	(B8)	08/2014	Today
VOLKSWAGEN	Passat CC	(357)	05/2008	Today
VOLKSWAGEN	Tiguan	(5N_)	05/2011	Today
VOLKSWAGEN	Touareg	(7P5)	08/2014	Today
VOLVO	C30	Y279	09/2006	12/2012
VOLVO	C70		03/2006	2013
VOLVO	S40		01/2004	2012
VOLVO	S60		2001	2009
VOLVO	S60		2010	2013
VOLVO	S80		2006	2013
VOLVO	V40		03/2014	Today
VOLVO	V50	Y280	11/2003	05/2012
VOLVO	V60	Y352	09/2010	06/2014
VOLVO	V70	Y285	01/2008	06/2014
VOLVO	V70	Y285	2000	2008
VOLVO	V70 XC		2001	2007
VOLVO	XC60		07/2014	Today
VOLVO	XC60	Y413	07/2008	06/2014
VOLVO	XC70	Y381	01/2008	06/2014
VOLVO	XC90	Y289	2003	2015

Mounting kit f.tyre press.monit.syst.12-pce

- Set for professional installation of TPMS sensors and valves
- Torque screwdriver with factory calibration certificate

Art.-No. 3575 9 1:

- 1/4", hexagonal wrench with pistol grip
- Using the auxiliary tool located in the handle, the desired torque range can be adjusted in increments of 0.4 Nm from 4.0 Nm to 8.8 Nm

Art.-No. 3575 9 2:

- 1/4" hexagonal torque screwdriver
- 3.3 Nm pre-adjusted torque screwdriver
- The torque can be altered from 1.2. Nm to 3.3 Nm. A torque tester is required for accurate adjustment of the desired torque

Art.-No. 3575 9 3:

- Torque indicator TX 10 - green ring
- Torque indicator set to 1.4 Nm
- Slim blade with only 4 mm diameter

Art.-No. 3575 9 4:

- Valve counter stop for tightening the union nut
- Max. load 4.5. Nm

Art.-No. 3575 9 5:

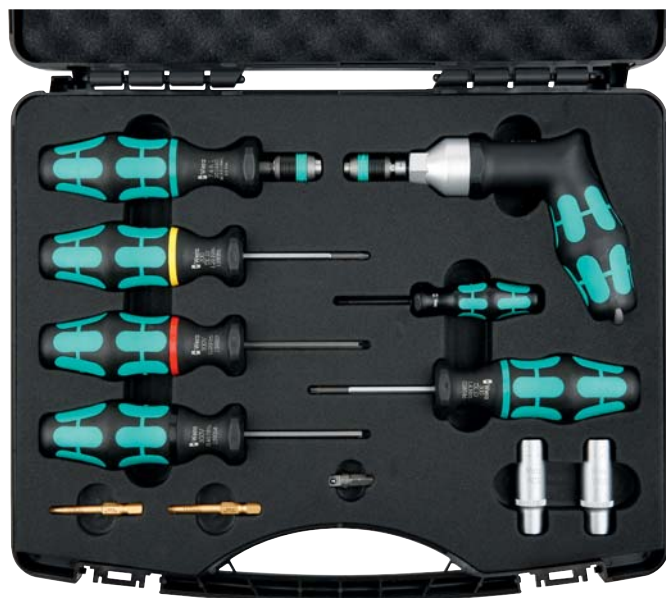
- Torque indicator TX 10 - yellow ring
- Torque indicator set to 1.25 Nm
- Slim blade with only 4 mm diameter

Art.-No. 3575 9 6:

- Torque indicator for valve cores - red ring
- Torque indicator set to 0.25 Nm
- Slim blade with only 4 mm diameter

Art.-No. 3575 9 7:

- Torque indicator for valve cores - black ring
- Torque indicator set to 0.45 Nm
- Slim blade with only 4 mm diameter



Application



Article No.	Article Description	QTY
3575 12	MOUNTING KIT FOR TPMS 12-PCE	1
3575 9 1	TORQUE SREWDRIV. W.PISTOL GRIP	1
3575 9 2	TORQUE SCREWDRIVER DEFAULT	1
3575 9 3	TORQUE SCREWDR. TORX INDIKATOR	1
3575 9 4	VENVILE HOLDER F. ASSEMBLY SET	1
3575 9 5	TORQUE SCREWDR. TX10 1.25NM	1
3575 9 6	VALVE.-TORQUE TRACER 0.25NM	1
3575 9 7	VALVE.-TORQUE TRACER 0.45NM	1

Tyre pressure testing system assembly set, individ

Art.-No. 3575 9 1:

- 1/4" hex torque screwdriver with gun grip
- The required torque range can be adjusted in steps of 0.4Nm from 4.0Nm up to 8.8 Nm, as a helping tool is included in the grip

Art.-No. 3575 9 2:

- 1/4" hex torque screwdriver
- 3.3Nm pre-adjusted torque screwdriver
- The torque screwdriver can be changed from 1.2 Nm to 3.3 Nm. It is necessary using a torque tester for a detailed adjustment of the desired torque

Art.-No. 3575 9 3:

- Torque tracer TX 10 - yellow ring
- 1.4 Nm pre-adjusted torque tracer
- Slim blade with only 4mm diameter

Art.-No. 3575 9 4:

- Valve counter brackets for tightening union nut
- Max. load: 4.5 Nm

Art.-No. 3575 9 5:

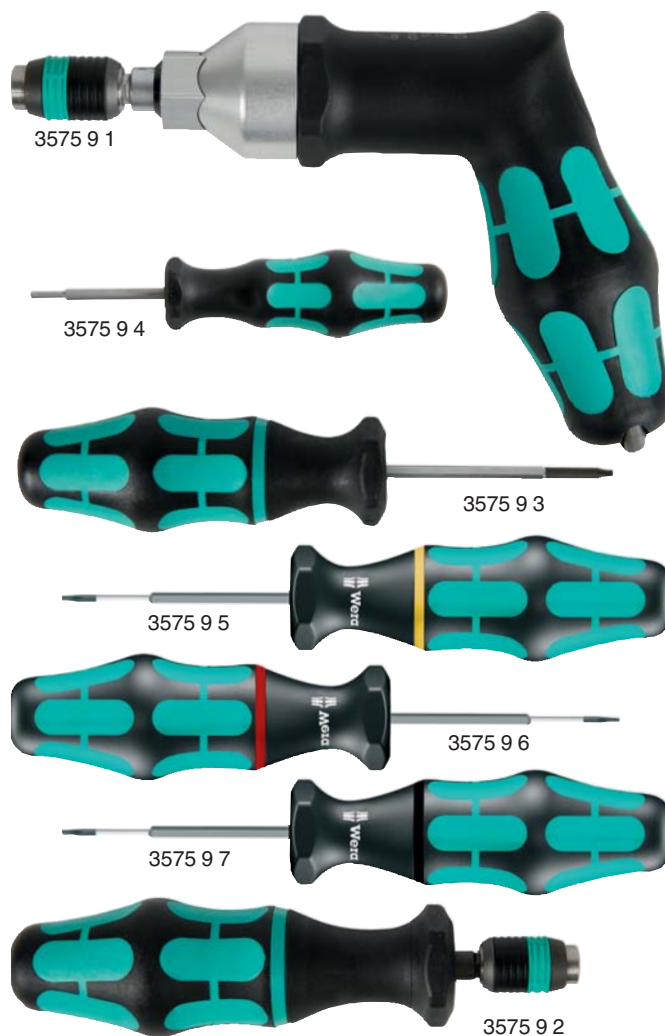
- Torque tracer TX 10 - yellow ring
- 1.25 Nm pre-adjusted torque tracer
- Slim blade with only 4 mm diameter

Art.-No. 3575 9 6:

- Torque tracer for valve cores - red ring
- 0.25 Nm pre-adjusted torque tracer
- Slim blade with only 4 mm diameter

Art.-No. 3575 9 7:

- Torque tracer for valve cores - black ring
- 0.45 Nm pre-adjusted torque tracer
- Slim blade with only 4 mm diameter



Article No.	Article Description	QTY
3575 9 1	TORQUE SREWDRIV. W.PISTOL GRIP	1
3575 9 2	TORQUE SCREWDRIVER DEFAULT	1
3575 9 3	TORQUE SCREWDR.TORX INDIKATOR	1
3575 9 4	VENVILE HOLDER F. ASSEMBLY SET	1
3575 9 5	TORQUE SCREWDR. TX10 1.25NM	1
3575 9 6	VALVE.-TORQUE TRACER 0.25NM	1
3575 9 7	VALVE.-TORQUE TRACER 0.45NM	1

Valve Tools

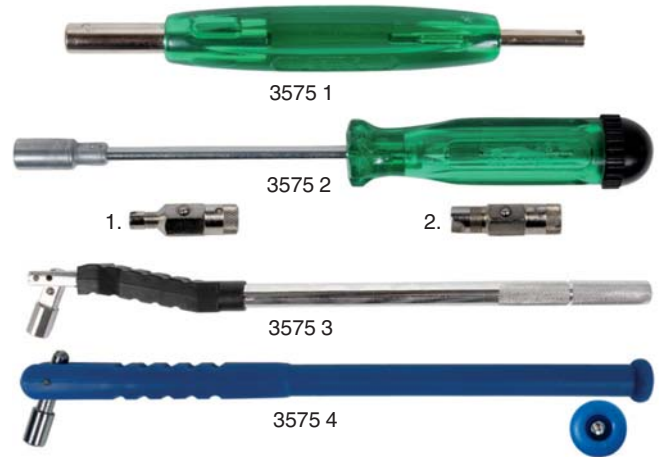
Art.-No. 3575 2:

- Inserts:
 1. Valve screw driver for standard-valve inserts and valve caps
 2. Valve screw driver for GM-valve inserts and valve caps (GM = Ground Machines)

Art.-No. 3575 4:

- Including a valve inserts-turner in the grip

Article No.	Article Description	QTY
3575 1	TYRE VALVE INSERT TOOL TYPE 1	1
3575 2	TYRE VALVE INSERT TOOL TYPE 2	1
3575 3	TYRE VALVE INSERT TOOL TYPE 3	1
3575 4	VALVE LEVER PLASTIC TYPE 4	1



Valve Insert Torque Turner

- Maintenance-free, does not require recalibration
- For screwing into short or long valve inserts
- Prevents excessive turning or compression of the rubber seal
- The handle jumps audibly and noticeably when the torque is reached
- Torque limit: approx. 0.25 Nm

Article No.	Article Description	QTY
3575 5	VALVE INSERT TORQUE TURNER	1



Valve Seal Remover for TPMS

- For fast and easy removal of sealants
- On TPMS-metal-valves
- Made of robust aluminium

Article No.	Article Description	QTY
3590 8 99	TPMS VALVE SEAL REMOVER	1



TPMS Servicing Kit, 150 pcs.

- For use in OEM-TPMS systems (manufactured after 2014)
- When replacing a tyre (removing from rim), the wear parts must be replaced
- Prevents failures and prevents larger and more expensive, subsequent damage
- Suitable for many OEM vehicle sensors



Your Advantage / Benefit

- Market coverage of over 80 % of all EU-vehicles (from 2014)
- OEM-quality for best results
- New corrosion protection technology
- High quality seals
- Assembly according to demand for efficient workshop stock-keeping

Application

- For equivalent part, please use the list (TPMS-Service-Kit equivalent list)
- Do not use valve caps made of pure brass
- Valve cores only
- Observe torque (0.23 – 0.56 Nm)



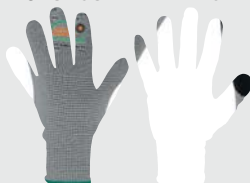
Article No.	Article Description	QTY
3590 8	TPMS-SERVICE-KITS.FU 150 PCS	1

Contents:

- 4x Art.-No. 3590 8 405: TPMS-Service-Kit 405
- 4x Art.-No. 3590 8 409: TPMS-Service-Kit 409
- 8x Art.-No. 3590 8 421: TPMS-Service-Kit 421
- 8x Art.-No. 3590 8 423: TPMS-Service-Kit 423
- 8x Art.-No. 3590 8 425: TPMS-Service-Kit 425
- 16x Art.-No. 3590 8 431: TPMS-Service-Kit 431
- 8x Art.-No. 3590 8 432: TPMS-Service-Kit 432
- 8x Art.-No. 3590 8 435: TPMS-Service-Kit 435
- 8x Art.-No. 3590 8 436: TPMS-Service-Kit 436
- 8x Art.-No. 3590 8 437: TPMS-Service-Kit 437
- 25x Art.-No. 3590 8 439: TPMS-Service-Kit 439
- 25x Art.-No. 3590 8 440: TPMS-Service-Kit 440
- 16x Art.-No. 3590 8 441: TPMS-Service-Kit 441
- 8x Art.-No. 3590 8 477: TPMS-Service-Kit 477

Related Products

- **Fine Knitted Gloves Duo Grip**
Art.-No. 5405 117 7 – 10



- **Inst.Kit for Tyre Pressure Monitoring Systems**
Art.-No. 3575 9



- **Valve Insert Torque Turner**
Art.-No. 3575 5



- **Tyre Assembly Fluid S 434**
Art.-No. 6580 5956



TPMS-Service-Kits, Accessoires

- for use with OEM TPMS systems (manufactured from 2014 onwards)
- when changing a tyre from the rim, worn parts must be replaced
- prevents failures and resulting more serious, expensive damage
- suitable for many original vehicle sensors

Art.-No. 3590 8 405:

- with self-tapping screw, tightening torque 1.4 Nm

Art.-No. 3590 8 421:

- with coloured O-rings to label the position on each wheel
- O-rings are installed on the outside of the union nut:

- Key: green = VL (FL), yellow = VR (FR), red = HL (RL), black = HR (RR)

Art.-No. 3590 8 431:

- Taper sleeve must be positioned positively locking with the valve stem

Art.-No. 3590 8 432:

- with coloured O-rings to label the position on each wheel
- O-rings are installed on the outside of the union nut:
- Key: green = VL (FL), yellow = VR (FR), red = HL (RL), black = HR (RR)

- the bevel on the U-washer must face the underside of the sensor

Art.-No. 3590 8 435, 3590 8 436 and 3590 8 437:

- the bevel on the U-washer must face the underside of the sensor

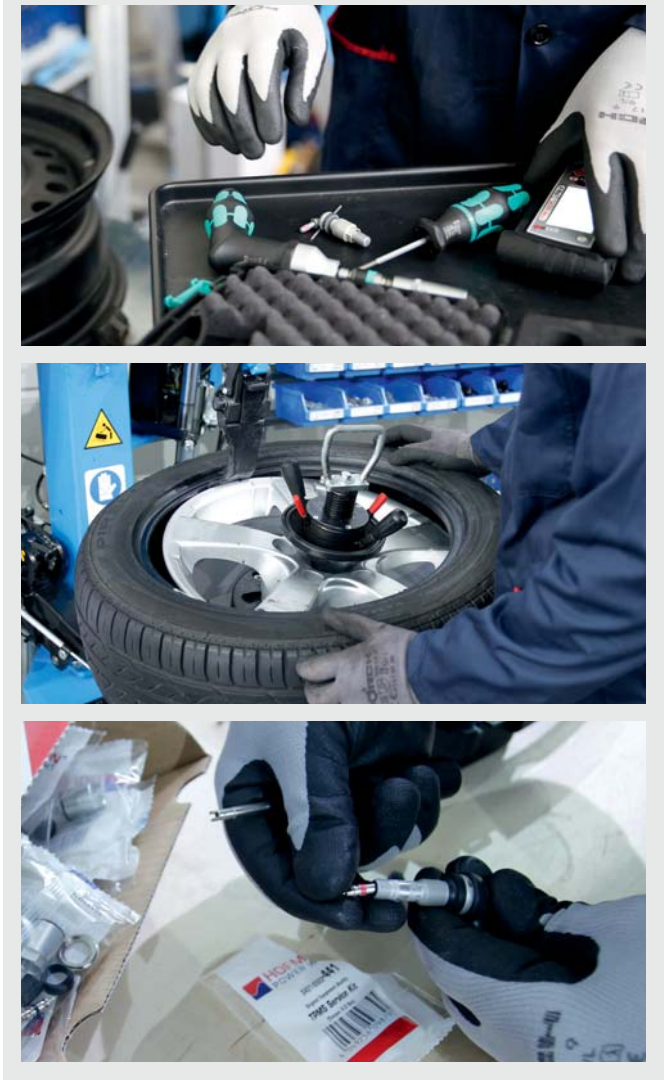


Your Advantage / Benefit

- OEM quality for optimum work results
- innovative anti-corrosion technology
- high-quality seals

Application

- the allocation (vehicle and kit) can be found in the application guide (TPMS service kit allocation list)
- do not use pure brass valve caps
- nickel-plated valve inserts only
- Observe tightening torques (0.23 – 0.56 Nm)



Article No.	Article Description	QTY
3590 8 405	TPMS-SERVICE-KIT 405	e 20
3590 8 409	TPMS-SERVICE-KIT 409	e 20
3590 8 410	TPMS-SERVICE-KIT 410	e 20
3590 8 411	TPMS-SERVICE-KIT 411	e 20
3590 8 412	TPMS-SERVICE-KIT 412	e 20
3590 8 421	TPMS-SERVICE-KIT 421	e 20
3590 8 423	TPMS-SERVICE-KIT 423	e 20
3590 8 425	TPMS-SERVICE-KIT 425	e 20
3590 8 429	TPMS-SERVICE-KIT 429	e 20
3590 8 431	TPMS-SERVICE-KIT 431	e 20
3590 8 432	TPMS-SERVICE-KIT 432	e 20
3590 8 435	TPMS-SERVICE-KIT 435	e 20
3590 8 436	TPMS-SERVICE-KIT 436	e 20
3590 8 437	TPMS-SERVICE-KIT 437	e 20
3590 8 439	PCK(25)VALVE INSERT F.TPMS	e 20
3590 8 440	PCK(25)PLST.VALVE CAPS F.TPMS	e 20
3590 8 441	TPMS-SERVICE-KIT 441	e 20
3590 8 477	TPMS-SERVICE-KIT 477	e 20

Article No.	Article Description	QTY
3590 8 431	TPMS-SERVICE-KIT 431	e 20
3590 8 432	TPMS-SERVICE-KIT 432	e 20
3590 8 435	TPMS-SERVICE-KIT 435	e 20
3590 8 436	TPMS-SERVICE-KIT 436	e 20
3590 8 437	TPMS-SERVICE-KIT 437	e 20
3590 8 439	PCK(25)VALVE INSERT F.TPMS	e 20
3590 8 440	PCK(25)PLST.VALVE CAPS F.TPMS	e 20
3590 8 441	TPMS-SERVICE-KIT 441	e 20
3590 8 477	TPMS-SERVICE-KIT 477	e 20

Vehicle		Sensor		TPMS Service-Kit		
Model	Year of manufacture	Manufacturer OE-Sensor	OE-Sensor Number	Art.-No.*	Torque	
					Nut	Bolt
ALFA ROMEO						
8C	2007 – 2010	Huf	248887	3590 8 409 / 3590 8 410 3590 8 411 / 3590 8 412 3590 8 441	4 Nm	4 Nm
AUDI						
A4	2004 – 2007	Huf	4F0 907 275B	3590 8 409 / 3590 8 410 3590 8 411 / 3590 8 412 3590 8 441	4 Nm	4 Nm
A4 Cabriolet	2004 – 2008	Huf	4F0 907 275B	3590 8 409 / 3590 8 410 3590 8 411 / 3590 8 412 3590 8 441	4 Nm	4 Nm
A6	2004 – 2012	Huf	4F0 907 275B	3590 8 409 / 3590 8 410 3590 8 411 / 3590 8 412 3590 8 441	4 Nm	4 Nm
			4F0 907 275D	3590 8 409 / 3590 8 410 3590 8 411 / 3590 8 412 3590 8 441	4 Nm	4 Nm
A6 Allroad	2000 – 2009	Huf	4D0 907 275	3590 8 409 / 3590 8 410 3590 8 411 / 3590 8 412 3590 8 441	4 Nm	4 Nm
			4F0 907 275B	3590 8 409 / 3590 8 410 3590 8 411 / 3590 8 412 3590 8 441	4 Nm	4 Nm
A8	2000 – 2011	Huf	4D0 907 275	3590 8 409 / 3590 8 410 3590 8 411 / 3590 8 412 3590 8 441	4 Nm	4 Nm
			4F0 907 275D	3590 8 409 / 3590 8 410 3590 8 411 / 3590 8 412 3590 8 441	4 Nm	4 Nm
Q7	2005 – 2014	Huf	4F0 907 275B	3590 8 409 / 3590 8 410 3590 8 411 / 3590 8 412 3590 8 441	4 Nm	4 Nm
			4F0 907 275D	3590 8 409 / 3590 8 410 3590 8 411 / 3590 8 412 3590 8 441	4 Nm	4 Nm
			7PP 907 275F	3590 8 409 / 3590 8 410 3590 8 411 / 3590 8 412 3590 8 441	4 Nm	4 Nm
R8	2007 – 2012	Huf	4F0 907 275B	3590 8 409 / 3590 8 410 3590 8 411 / 3590 8 412 3590 8 441	4 Nm	4 Nm
			4F0 907 275D	3590 8 409 / 3590 8 410 3590 8 411 / 3590 8 412 3590 8 441	4 Nm	4 Nm

Vehicle		Sensor		TPMS Service-Kit		
Model	Year of manufacture	Manufacturer OE-Sensor	OE-Sensor Number	Art.-No.*	Torque	
					Nut	Bolt
AUDI						
RS4	2006 – 2008	Huf	4F0 907 275B	3590 8 409 / 3590 8 410 3590 8 411 / 3590 8 412 3590 8 441	4 Nm	4 Nm
RS6	2000 – 2005	Huf	4D0 907 275	3590 8 409 / 3590 8 410 3590 8 411 / 3590 8 412 3590 8 441	4 Nm	4 Nm
			2008 – 2013	Huf	4F0 907 275B	3590 8 409 / 3590 8 410 3590 8 411 / 3590 8 412 3590 8 441
	4D0 907 275C	3590 8 409 / 3590 8 410 3590 8 411 / 3590 8 412 3590 8 441			4 Nm	4 Nm
	4F0 907 275B	3590 8 409 / 3590 8 410 3590 8 411 / 3590 8 412 3590 8 441			4 Nm	4 Nm
	4D0 907 275C	3590 8 409 / 3590 8 410 3590 8 411 / 3590 8 412 3590 8 441			4 Nm	4 Nm
	7PP 907 275F	3590 8 409 / 3590 8 410 3590 8 411 / 3590 8 412 3590 8 441	4 Nm	4 Nm		
RS7	2013	Huf	7PP 907 275F	3590 8 409 / 3590 8 410 3590 8 411 / 3590 8 412 3590 8 441	4 Nm	4 Nm
S4	2004 – 2007	Huf	4F0 907 275B	3590 8 409 / 3590 8 410 3590 8 411 / 3590 8 412 3590 8 441	4 Nm	4 Nm
S6	2004 – 2012	Huf	4F0 907 275B	3590 8 409 / 3590 8 410 3590 8 411 / 3590 8 412 3590 8 441	4 Nm	4 Nm
			4F0 907 275D	3590 8 409 / 3590 8 410 3590 8 411 / 3590 8 412 3590 8 441	4 Nm	4 Nm
S8	2000 – 2011	Huf	4D0 907 275	3590 8 409 / 3590 8 410 3590 8 411 / 3590 8 412 3590 8 441	4 Nm	4 Nm
			4F0 907 275D	3590 8 409 / 3590 8 410 3590 8 411 / 3590 8 412 3590 8 441	4 Nm	4 Nm
BENTLEY						
Azure	2007 – 2010	Huf	4F0 907 275D	3590 8 409 / 3590 8 410 3590 8 411 / 3590 8 412 3590 8 441	4 Nm	4 Nm

Vehicle		Sensor		TPMS Service-Kit		
Model	Year of manufacture	Manufacturer OE-Sensor	OE-Sensor Number	Art.-No.*	Torque	
					Nut	Bolt
BENTLEY						
Brooklands	2008 – 2011	Huf	4F0 907 275B	3590 8 409 / 3590 8 410 3590 8 411 / 3590 8 412 3590 8 441	4 Nm	4 Nm
Continental Flying Spur	2005 – 2014	Huf	4F0 907 275B	3590 8 409 / 3590 8 410 3590 8 411 / 3590 8 412 3590 8 441	4 Nm	4 Nm
Continental GT	2003 – 2014	Huf	4D0 907 275 (to 06/2005)	3590 8 409 / 3590 8 410 3590 8 411 / 3590 8 412 3590 8 441	4 Nm	4 Nm
			4F0 907 275B (from 06/2005)	3590 8 409 / 3590 8 410 3590 8 411 / 3590 8 412 3590 8 441	4 Nm	4 Nm
			4D0 907 275	3590 8 409 / 3590 8 410 3590 8 411 / 3590 8 412 3590 8 441	4 Nm	4 Nm
Mulsanne	2011 – 2014	Huf	4F0 907 275B	3590 8 409 / 3590 8 410 3590 8 411 / 3590 8 412 3590 8 441	4 Nm	4 Nm
BMW						
5 GT	09/2010 – 2014	Huf	36106790054 (to 02/2014)	3590 8 409 / 3590 8 410 3590 8 411 / 3590 8 412 3590 8 441	4 Nm	4 Nm
			36106798872 (from 03/2014)	3590 8 409 / 3590 8 410 3590 8 411 / 3590 8 412 3590 8 441	4 Nm	4 Nm
5er Models	09/1998 – 2014	Huf	36118378682 (to 03/2006)	3590 8 409 / 3590 8 410 3590 8 411 / 3590 8 412 3590 8 441	4 Nm	4 Nm
			36236798726 (from 03/2006)	3590 8 409 / 3590 8 410 3590 8 411 / 3590 8 412 3590 8 441	4 Nm	4 Nm
			36236781847 (from 09/2010)	3590 8 409 / 3590 8 410 3590 8 411 / 3590 8 412 3590 8 441	4 Nm	4 Nm
			36106798872 (from 03/2014)	3590 8 409 / 3590 8 410 3590 8 411 / 3590 8 412 3590 8 441	4 Nm	4 Nm
6er Models	2006 – 2014	Huf	36236798726	3590 8 409 / 3590 8 410 3590 8 411 / 3590 8 412 3590 8 441	4 Nm	4 Nm
			36106790054	3590 8 409 / 3590 8 410 3590 8 411 / 3590 8 412 3590 8 441	4 Nm	4 Nm
			36106798872 (from 03/2014)	3590 8 409 / 3590 8 410 3590 8 411 / 3590 8 412 3590 8 441	4 Nm	4 Nm

Vehicle		Sensor		TPMS Service-Kit		
Model	Year of manufacture	Manufacturer OE-Sensor	OE-Sensor Number	Art.-No.*	Torque	
					Nut	Bolt
BMW						
7er Models	09/1998 – 2001	Huf	36118378682 (from 09/1998)	3590 8 409 / 3590 8 410 3590 8 411 / 3590 8 412 3590 8 441	4 Nm	4 Nm
	09/2010 – 2014		36106790054 (ab 09/2010)	3590 8 409 / 3590 8 410 3590 8 411 / 3590 8 412 3590 8 441	4 Nm	4 Nm
			36106798872 (from 03/2014)	3590 8 409 / 3590 8 410 3590 8 411 / 3590 8 412 3590 8 441	4 Nm	4 Nm
M5	ab 03/2014	Huf	36106798872	3590 8 409 / 3590 8 410 3590 8 411 / 3590 8 412 3590 8 441	4 Nm	4 Nm
M6	ab 03/2014	Huf	36106798872	3590 8 409 / 3590 8 410 3590 8 411 / 3590 8 412 3590 8 441	4 Nm	4 Nm
X1	ab 03/2014	Huf	36106798872	3590 8 409 / 3590 8 410 3590 8 411 / 3590 8 412 3590 8 441	4 Nm	4 Nm
X3	ab 03/2014	Huf	36106798872	3590 8 409 / 3590 8 410 3590 8 411 / 3590 8 412 3590 8 441	4 Nm	4 Nm
X5	1999 – 2004	Huf	36146752128	3590 8 409 / 3590 8 410 3590 8 411 / 3590 8 412 3590 8 441	4 Nm	4 Nm
	2007 – 04/2013		36236781847	3590 8 409 / 3590 8 410 3590 8 411 / 3590 8 412 3590 8 441	4 Nm	4 Nm
			36106790054	3590 8 409 / 3590 8 410 3590 8 411 / 3590 8 412 3590 8 441	4 Nm	4 Nm
X6	2008 – 2014	Huf	36236781847 (to 10/2010)	3590 8 409 / 3590 8 410 3590 8 411 / 3590 8 412 3590 8 441	4 Nm	4 Nm
			36106790054 (from 10/2010)	3590 8 409 / 3590 8 410 3590 8 411 / 3590 8 412 3590 8 441	4 Nm	4 Nm
			36106856227	3590 8 409 / 3590 8 410 3590 8 411 / 3590 8 412 3590 8 441	4 Nm	4 Nm
Z Models	2010 – 2014	Huf	36106790054	3590 8 409 / 3590 8 410 3590 8 411 / 3590 8 412 3590 8 441	4 Nm	4 Nm
			36106856227 (to 03/2014)	3590 8 409 / 3590 8 410 3590 8 411 / 3590 8 412 3590 8 441	4 Nm	4 Nm
			36106798872 (from 03/2014)	3590 8 409 / 3590 8 410 3590 8 411 / 3590 8 412 3590 8 441	4 Nm	4 Nm

Vehicle		Sensor		TPMS Service-Kit		
Model	Year of manufacture	Manufacturer OE-Sensor	OE-Sensor Number	Art.-No.*	Torque	
					Nut	Bolt
CHEVROLET						
Malibu	2011 – 2014	Schrader Electronics	13348393	3590 8 423	7 Nm	–
Volt	2011	Schrader Electronics	13348393	3590 8 423	7 Nm	–
CITROËN						
Berlingo II	2009 – 2014	Schrader Electronics	9683420380	3590 8 405	–	1,4 Nm
C4	2004 – 07/2008	Continental	5430T4	3590 8 425	3 Nm	3,0 Nm
	07/2008 – 2014	Schrader Electronics	9683420380	3590 8 405	–	1,4 Nm
C4 Picasso	2006 – 2014	Schrader Electronics	9683420380	3590 8 405	–	1,4 Nm
C5 II	2004 – 2008	Continental	5430T4	3590 8 425	3 Nm	3,0 Nm
C5 III	2008 – 08/2013	Continental	5430T4	3590 8 425	3 Nm	3,0 Nm
C6	2004 – 2012	Continental	5430T4	3590 8 425	3 Nm	3,0 Nm
C8	09/2005 – 2014	Continental	5430T4	3590 8 425	3 Nm	3,0 Nm
DS4	2010 – 2013	Schrader Electronics	9683420380	3590 8 405	–	1,4 Nm
DS5	2011 – 2013	Schrader Electronics	9683420380	3590 8 405	–	1,4 Nm
Jumpy II	2008 – 2014	Schrader Electronics	9677130580	3590 8 405	–	1,4 Nm
FERRARI						
458 Italia (F142)	2009 – 2014	Huf	248887	3590 8 409 / 3590 8 410 3590 8 411 / 3590 8 412 3590 8 441	4 Nm	4 Nm
550 Maranello Evoluzione	2002	Huf	185189	3590 8 409 / 3590 8 410 3590 8 411 / 3590 8 412 3590 8 441	4 Nm	4 Nm
575M Maranello	2002 – 2006	Huf	185189	3590 8 409 / 3590 8 410 3590 8 411 / 3590 8 412 3590 8 441	4 Nm	4 Nm
599 GTB (F141)	2007 – 2012	Huf	185189	3590 8 409 / 3590 8 410 3590 8 411 / 3590 8 412 3590 8 441	4 Nm	4 Nm
612 Scaglietti (F137)	2004 – 2011	Huf	185189	3590 8 409 / 3590 8 410 3590 8 411 / 3590 8 412 3590 8 441	4 Nm	4 Nm
California (F149)	2008 – 2014	Huf	248887	3590 8 409 / 3590 8 410 3590 8 411 / 3590 8 412 3590 8 441	4 Nm	4 Nm
Enzo (F140)	2003 – 2004	Huf	193867	3590 8 409 / 3590 8 410 3590 8 411 / 3590 8 412 3590 8 441	4 Nm	4 Nm
F12 Berlinetta	2012 – 2014	Huf	248887	3590 8 409 / 3590 8 410 3590 8 411 / 3590 8 412 3590 8 441	4 Nm	4 Nm
F430	2004 – 2009	Huf	185189 (to 07/2007)	3590 8 409 / 3590 8 410 3590 8 411 / 3590 8 412 3590 8 441	4 Nm	4 Nm
			228887 (from 07/2007)	3590 8 409 / 3590 8 410 3590 8 411 / 3590 8 412 3590 8 441	4 Nm	4 Nm
FF	2011 – 2014	Huf	282189	3590 8 409 / 3590 8 410 3590 8 411 / 3590 8 412 3590 8 441	4 Nm	4 Nm
FXX	2005 – 2006	Huf	193867	3590 8 409 / 3590 8 410 3590 8 411 / 3590 8 412 3590 8 441	4 Nm	4 Nm

Vehicle		Sensor		TPMS Service-Kit		
Model	Year of manufacture	Manufacturer OE-Sensor	OE-Sensor Number	Art.-No.*	Torque	
					Nut	Bolt
FORD						
Galaxy	2006 – 2014	Continental	8G92 1A189 KB	3590 8 437	8 Nm	–
Mondeo	2006 – 2014	Continental	8G92 1A189 KB	3590 8 437	8 Nm	–
S-Max	2006 – 2014	Continental	8G92 1A189 KB	3590 8 437	8 Nm	–
HYUNDAI						
Accent	2014	Continental	52933 1J000	3590 8 436	8 Nm	–
i20	2008 – 11/2014	Continental	52933 1J000	3590 8 436	8 Nm	–
Solaris	2014	Continental	52933 1J000	3590 8 436	8 Nm	–
Sonata	2014	Continental	52933 1J000	3590 8 436	8 Nm	–
KIA						
Optima	2011 – 2014	Continental	52933 1J000	3590 8 436	8 Nm	–
Sorento	2009 – 10/2012	Continental	52933 1J000	3590 8 436	8 Nm	–
Soul	2009 – 11/2013	Continental	52933 1J000	3590 8 436	8 Nm	–
Venga	2009 – 2014	Continental	52933 1J000	3590 8 436	8 Nm	–
LAMBORGHINI						
Aventador	2011 – 2014	Huf	228887	3590 8 409 / 3590 8 410 3590 8 411 / 3590 8 412 3590 8 441	4 Nm	4 Nm
Gallardo	2007 – 2014	Huf	228887	3590 8 409 / 3590 8 410 3590 8 411 / 3590 8 412 3590 8 441	4 Nm	4 Nm
Murciélago	2007 – 2010	Huf	228887	3590 8 409 / 3590 8 410 3590 8 411 / 3590 8 412 3590 8 441	4 Nm	4 Nm
Land Rover						
Range Rover	2002 – 2004	Huf	YDB000060	3590 8 409 / 3590 8 410 3590 8 411 / 3590 8 412 3590 8 441	4 Nm	4 Nm
LEXUS						
C-CUV	ab 11/2014	Pacific	42607-42020	3590 8 477	4 Nm	–
CT	ab 06/2014	Pacific	42607-42020	3590 8 477	4 Nm	–
ES	ab 06/2014	Pacific	42607-42020	3590 8 477	4 Nm	–
GS	ab 06/2014	Pacific	42607-42020	3590 8 477	4 Nm	–
GX	ab 06/2014	Pacific	42607-42020	3590 8 477	4 Nm	–
IS	2013 - 2014	Pacific	42607-42020	3590 8 477	4 Nm	–
LS	ab 01/2014	Pacific	42607-42020	3590 8 477	4 Nm	–
LX	ab 06/2014	Pacific	42607-42020	3590 8 477	4 Nm	–
RX	ab 06/2014	Pacific	42607-42020	3590 8 477	4 Nm	–
LOTUS CARS						
Elise	2008 – 2014	Schrader Electronics	13227143	3590 8 423	7 Nm	–
Evora	2010 – 2014	Schrader Electronics	13227143	3590 8 423	7 Nm	–
Exige	2008 – 2014	Schrader Electronics	13227143	3590 8 423	7 Nm	–
MASERATI						
Coupé	2002 – 2007	Huf	185189	3590 8 409 / 3590 8 410 3590 8 411 / 3590 8 412 3590 8 441	4 Nm	4 Nm
GranCabrio	2010 – 2014	Huf	185189	3590 8 409 / 3590 8 410 3590 8 411 / 3590 8 412 3590 8 441	4 Nm	4 Nm
GranTurismo	2007 – 2013	Huf	185189 (to 07/2009)	3590 8 409 / 3590 8 410 3590 8 411 / 3590 8 412 3590 8 441	4 Nm	4 Nm
			248887 (from 07/2009)	3590 8 409 / 3590 8 410 3590 8 411 / 3590 8 412 3590 8 441	4 Nm	4 Nm

Vehicle		Sensor		TPMS Service-Kit		
Model	Year of manufacture	Manufacturer OE-Sensor	OE-Sensor Number	Art.-No.*	Torque	
					Nut	Bolt
MASERATI						
Quattroporte V	2004 – 2012	Huf	185189	3590 8 409 / 3590 8 410 3590 8 411 / 3590 8 412 3590 8 441	4 Nm	4 Nm
			248887	3590 8 409 / 3590 8 410 3590 8 411 / 3590 8 412 3590 8 441	4 Nm	4 Nm
MAYBACH						
57	2002 – 2013	Huf	A0055422318	3590 8 409 / 3590 8 410 3590 8 411 / 3590 8 412 3590 8 441	4 Nm	4 Nm
62	2002 – 2013	Huf	A0055422318	3590 8 409 / 3590 8 410 3590 8 411 / 3590 8 412 3590 8 441	4 Nm	4 Nm
MAZDA						
2	2007 – 2014	Continental	BBP337140B	3590 8 435	8 Nm	–
3	2009 – 2014	Continental	BBP337140B	3590 8 435	8 Nm	–
5	07/2010 – 2014	Continental	BBP337140B	3590 8 435	8 Nm	–
6	2007 – 2014	Continental	BBP337140B	3590 8 435	8 Nm	–
CX-7	2007 – 2012	Continental	BBP337140B	3590 8 435	8 Nm	–
Mx-5	2003 – 2014	Continental	BBP337140B	3590 8 435	8 Nm	–
MERCEDES-BENZ						
A150	2012	Schrader Electronics	A0009054100	3590 8 431	6 Nm	–
A155	2012	Schrader Electronics	A0009054100	3590 8 431	6 Nm	–
A160	2012	Schrader Electronics	A0009054100	3590 8 431	6 Nm	–
	2013		A0009054100	3590 8 431	6 Nm	–
	to 04/2014		A0009057200	3590 8 431	6 Nm	–
A170	2012	Schrader Electronics	A0009054100	3590 8 431	6 Nm	–
A180	2012 – 2013	Schrader Electronics	A0009054100	3590 8 431	6 Nm	–
	to 04/2014		A0009057200	3590 8 431	6 Nm	–
A200	2012 – 2013	Schrader Electronics	A0009054100	3590 8 431	6 Nm	–
	to 04/2014		A0009057200	3590 8 431	6 Nm	–
A220 CDI	2012 – 2013	Schrader Electronics	A0009054100	3590 8 431	6 Nm	–
	to 04/2014		A0009057200	3590 8 431	6 Nm	–
A250	2012 – 2013	Schrader Electronics	A0009054100	3590 8 431	6 Nm	–
	to 04/2014		A0009057200	3590 8 431	6 Nm	–
A45 AMG	2012 – 2013	Schrader Electronics	A0009054100	3590 8 431	6 Nm	–
	to 04/2014		A0009057200	3590 8 431	6 Nm	–
B150	2011	Schrader Electronics	A0035400217	3590 8 431	6 Nm	–
B160 CDI	2013 – 2014	Schrader Electronics	A0009057200	3590 8 431	6 Nm	–
B170	2011	Schrader Electronics	A0035400217	3590 8 431	6 Nm	–
B180	2011	Schrader Electronics	A0035400217	3590 8 431	6 Nm	–
	2012		A0009054100	3590 8 431	6 Nm	–
	2013 – 2014		A0009057200	3590 8 431	6 Nm	–
B200	2011	Schrader Electronics	A0035400217	3590 8 431	6 Nm	–
	2012		A0009054100	3590 8 431	6 Nm	–
	2013 – 2014		A0009057200	3590 8 431	6 Nm	–
B220 4MATIC	2013 – 2014	Schrader Electronics	A0009057200	3590 8 431	6 Nm	–
C230	2007	Schrader Electronics	A0025409017	3590 8 431	6 Nm	–
C250	2012	Schrader Electronics	A0009054100	3590 8 431	6 Nm	–
	2013 – 2014		A0009057200	3590 8 431	6 Nm	–
C280	2007	Schrader Electronics	A0025409017	3590 8 431	6 Nm	–
C300	2008 – 2011	Schrader Electronics	A0025409017	3590 8 431	6 Nm	–
	2012		A0009054100	3590 8 431	6 Nm	–
	2013 – 2014		A0009057200	3590 8 431	6 Nm	–
C350	2007 – 2009	Schrader Electronics	A0025409017	3590 8 431	6 Nm	–
	2010 – 2011		A0035400217	3590 8 431	6 Nm	–
	2012		A0009054100	3590 8 431	6 Nm	–
	2013 – 2014		A0009057200	3590 8 431	6 Nm	–
C55 AMG	2007	Schrader Electronics	A0025409017	3590 8 431	6 Nm	–
C63 AMG	2008 – 2009	Schrader Electronics	A0025409017	3590 8 431	6 Nm	–
	2010 – 2011		A0035400217	3590 8 431	6 Nm	–
	2012		A0009054100	3590 8 431	6 Nm	–
	2013 – 2014		A0009057200	3590 8 431	6 Nm	–

Vehicle		Sensor		TPMS Service-Kit		
Model	Year of manufacture	Manufacturer OE-Sensor	OE-Sensor Number	Art.-No.*	Torque	
					Nut	Bolt
MERCEDES-BENZ						
CL500	2009	Schrader Electronics	A0025409017	3590 8 431	6 Nm	–
	2010 – 2011		A0035400217	3590 8 431	6 Nm	–
	2012		A0009054100	3590 8 431	6 Nm	–
	2013		A0009057200	3590 8 431	6 Nm	–
CL55 AMG	2009	Schrader Electronics	A0025409017	3590 8 431	6 Nm	–
	2010 – 2011		A0035400217	3590 8 431	6 Nm	–
	2012 – 2013		A0009054100	3590 8 431	6 Nm	–
	2014		A0009057200	3590 8 431	6 Nm	–
CL600	2009	Schrader Electronics	A0025409017	3590 8 431	6 Nm	–
	2010 – 2011		A0035400217	3590 8 431	6 Nm	–
	2012 – 2013		A0009054100	3590 8 431	6 Nm	–
	2014		A0009057200	3590 8 431	6 Nm	–
CL63 AMG	2009	Schrader Electronics	A0025409017	3590 8 431	6 Nm	–
	2010 – 2011		A0035400217	3590 8 431	6 Nm	–
	2012 – 2013		A0009054100	3590 8 431	6 Nm	–
CL65 AMG	2009	Schrader Electronics	A0025409017	3590 8 431	6 Nm	–
	2010 – 2011		A0035400217	3590 8 431	6 Nm	–
	2012 – 2013		A0009054100	3590 8 431	6 Nm	–
CLA180	2013	Schrader Electronics	A0009054100	3590 8 431	6 Nm	–
	to 06/2014		A0009057200	3590 8 431	6 Nm	–
CLA200	2013	Schrader Electronics	A0009054100	3590 8 431	6 Nm	–
	to 06/2014		A0009057200	3590 8 431	6 Nm	–
CLA220	2013	Schrader Electronics	A0009054100	3590 8 431	6 Nm	–
	to 06/2014		A0009057200	3590 8 431	6 Nm	–
CLA250	2013	Schrader Electronics	A0009054100	3590 8 431	6 Nm	–
	to 06/2014		A0009057200	3590 8 431	6 Nm	–
CLA45 AMG	2013	Schrader Electronics	A0009054100	3590 8 431	6 Nm	–
	to 06/2014		A0009057200	3590 8 431	6 Nm	–
CLK200	2007 – 2009	Schrader Electronics	A0025409017	3590 8 431	6 Nm	–
CLK240	2007 – 2009	Schrader Electronics	A0025409017	3590 8 431	6 Nm	–
CLK280	2007 – 2009	Schrader Electronics	A0025409017	3590 8 431	6 Nm	–
CLK320	2007 – 2009	Schrader Electronics	A0025409017	3590 8 431	6 Nm	–
CLK350	2007 – 2009	Schrader Electronics	A0025409017	3590 8 431	6 Nm	–
CLK500	2007 – 2009	Schrader Electronics	A0025409017	3590 8 431	6 Nm	–
CLK55 AMG	2007 – 2009	Schrader Electronics	A0025409017	3590 8 431	6 Nm	–
CLK550	2007 – 2009	Schrader Electronics	A0025409017	3590 8 431	6 Nm	–
CLK63 AMG	2007 – 2009	Schrader Electronics	A0025409017	3590 8 431	6 Nm	–
CLS250	2010 – 2011	Schrader Electronics	A0035400217	3590 8 431	6 Nm	–
	2012 – 2013		A0009054100	3590 8 431	6 Nm	–
	2014		A0009057200	3590 8 431	6 Nm	–
CLS280	from 08/2009	Schrader Electronics	A0025409017	3590 8 431	6 Nm	–
CLS350	09/2010 – 2011	Schrader Electronics	A0035400217	3590 8 431	6 Nm	–
	2012 – 2013		A0009054100	3590 8 431	6 Nm	–
	2014		A0009057200	3590 8 431	6 Nm	–
CLS500	2004 – 07/2005	Huf	A0055422318	3590 8 409 / 3590 8 410 3590 8 411 / 3590 8 412 3590 8 441	4 Nm	4 Nm
	2010 – 2011	Schrader Electronics	A0035400217	3590 8 431	6 Nm	–
	2012 – 2013		A0009054100	3590 8 431	6 Nm	–
	2010 – 2011/2014		A0009057200	3590 8 431	6 Nm	–
CLS55 AMG	2004 – 07/2005	Huf	A0055422318	3590 8 409 / 3590 8 410 3590 8 411 / 3590 8 412 3590 8 441	4 Nm	4 Nm
CLS550	2010 – 2011	Schrader Electronics	A0035400217	3590 8 431	6 Nm	–
	2012 – 2013		A0009054100	3590 8 431	6 Nm	–
	2014		A0009057200	3590 8 431	6 Nm	–
CLS63 AMG	09/2010 – 2011	Schrader Electronics	A0035400217	3590 8 431	6 Nm	–
	2012 – 2013		A0009054100	3590 8 431	6 Nm	–
	2014		A0009057200	3590 8 431	6 Nm	–

Vehicle		Sensor		TPMS Service-Kit		
Model	Year of manufacture	Manufacturer OE-Sensor	OE-Sensor Number	Art.-No.*	Torque	
					Nut	Bolt
MERCEDES-BENZ						
E200	to 07/2005	Huf	A0008223306	3590 8 409 / 3590 8 410 3590 8 411 / 3590 8 412 3590 8 441	4 Nm	4 Nm
	from 07/2009	Schrader Electronics	A0025409017	3590 8 431	6 Nm	–
	2010 – 2011		A0035400217	3590 8 431	6 Nm	–
	2012		A0009054100	3590 8 431	6 Nm	–
	2013 – 06/2014		A0009057200	3590 8 431	6 Nm	–
E220	from 07/2009	Schrader Electronics	A0025409017	3590 8 431	6 Nm	–
	2010 – 2011		A0035400217	3590 8 431	6 Nm	–
	2012 – 2013		A0009054100	3590 8 431	6 Nm	–
	to 06/2014		A0009057200	3590 8 431	6 Nm	–
E230	from 07/2009	Schrader Electronics	A0025409017	3590 8 431	6 Nm	–
	2010 – 2011		A0035400217	3590 8 431	6 Nm	–
	2012 – 2013		A0009054100	3590 8 431	6 Nm	–
	to 06/2014		A0009057200	3590 8 431	6 Nm	–
E240	2002	Huf	A0008223306	3590 8 409 / 3590 8 410 3590 8 411 / 3590 8 412 3590 8 441	4 Nm	4 Nm
E250	to 07/2005	Huf	A0008223306	3590 8 409 / 3590 8 410 3590 8 411 / 3590 8 412 3590 8 441	4 Nm	4 Nm
	from 07/2009	Schrader Electronics	A0025409017	3590 8 431	6 Nm	–
	2010 – 2011		A0035400217	3590 8 431	6 Nm	–
	2012 – 2013		A0009054100	3590 8 431	6 Nm	–
	to 06/2014		A0009057200	3590 8 431	6 Nm	–
E270	to 07/2005	Huf	A0008223306	3590 8 409 / 3590 8 410 3590 8 411 / 3590 8 412 3590 8 441	4 Nm	4 Nm
E280	to 07/2005	Huf	A0008223306	3590 8 409 / 3590 8 410 3590 8 411 / 3590 8 412 3590 8 441	4 Nm	4 Nm
E300	ab 07/2009	Schrader Electronics	A0025409017	3590 8 431	6 Nm	–
	2010 – 2011		A0035400217	3590 8 431	6 Nm	–
	2012 – 2013		A0009054100	3590 8 431	6 Nm	–
	to 06/2014		A0009057200	3590 8 431	6 Nm	–
E320	from 07/2005	Huf	A0008223306	3590 8 409 / 3590 8 410 3590 8 411 / 3590 8 412 3590 8 441	4 Nm	4 Nm
E350	to 07/2005	Huf	A0008223306	3590 8 409 / 3590 8 410 3590 8 411 / 3590 8 412 3590 8 441	4 Nm	4 Nm
	from 07/2009	Schrader Electronics	A0025409017	3590 8 431	6 Nm	–
	2010 – 2011		A0035400217	3590 8 431	6 Nm	–
	2012 – 2013		A0009054100	3590 8 431	6 Nm	–
	to 06/2014		A0009057200	3590 8 431	6 Nm	–
E400	2005	Huf	A0008223306	3590 8 409 / 3590 8 410 3590 8 411 / 3590 8 412 3590 8 441	4 Nm	4 Nm
	from 08/2009	Schrader Electronics	A0025409017	3590 8 431	6 Nm	–
	2010 – 2011		A0035400217	3590 8 431	6 Nm	–
	2012 – 2013		A0009054100	3590 8 431	6 Nm	–
	2014		A0009057200	3590 8 431	6 Nm	–
E450	to 07/2005	Huf	A0008223306	3590 8 409 / 3590 8 410 3590 8 411 / 3590 8 412 3590 8 441	4 Nm	4 Nm

Vehicle		Sensor		TPMS Service-Kit		
Model	Year of manufacture	Manufacturer OE-Sensor	OE-Sensor Number	Art.-No.*	Torque	
					Nut	Bolt
MERCEDES-BENZ						
E500	2002 – 07/2005	Huf	A0008223306	3590 8 409 / 3590 8 410 3590 8 411 / 3590 8 412 3590 8 441	4 Nm	4 Nm
	from 07/2009	Schrader Electronics	A0025409017	3590 8 431	6 Nm	–
	2010 – 2011		A0035400217	3590 8 431	6 Nm	–
	2012 – 2013		A0009054100	3590 8 431	6 Nm	–
	2014		A0009057200	3590 8 431	6 Nm	–
ML450	2010	Schrader Electronics	A0035400217	3590 8 431	6 Nm	–
	2011		A0009054100	3590 8 431	6 Nm	–
ML550	from 08/2009	Schrader Electronics	A0025409017	3590 8 431	6 Nm	–
	2010		A0035400217	3590 8 431	6 Nm	–
	2011 – 2012		A0009054100	3590 8 431	6 Nm	–
	2013 – 2014		A0009057200	3590 8 431	6 Nm	–
ML63 AMG	from 08/2009	Schrader Electronics	A0025409017	3590 8 431	6 Nm	–
	2010		A0035400217	3590 8 431	6 Nm	–
	2011 – 2012		A0009054100	3590 8 431	6 Nm	–
	2013 – 2014		A0009057200	3590 8 431	6 Nm	–
R320	2007 – 2009	Schrader Electronics	A0035400217	3590 8 431	6 Nm	–
R350	08/2009 – 2010	Schrader Electronics	A0025409017	3590 8 431	6 Nm	–
	2011		A0009054100	3590 8 431	6 Nm	–
	2012 – 2013		A0009057200	3590 8 431	6 Nm	–
S400	2010	Schrader Electronics	A0035400217	3590 8 431	6 Nm	–
	2011 – 2012	Schrader Electronics	A0009054100	3590 8 431	6 Nm	–
	2013	Schrader Electronics	A0009057200	3590 8 431	6 Nm	–
S430	2000 – 07/2005	Huf	A0008223306	3590 8 409 / 3590 8 410 3590 8 411 / 3590 8 412 3590 8 441	4 Nm	4 Nm
S500	2000 – 07/2005	Huf	A0008223306	3590 8 409 / 3590 8 410 3590 8 411 / 3590 8 412 3590 8 441	4 Nm	4 Nm
S500 4MATIC Coupé	2014	Schrader Electronics	A0009057200	3590 8 431	6 Nm	–
S55 AMG	2001 – 07/2005	Huf	A0008223306	3590 8 409 / 3590 8 410 3590 8 411 / 3590 8 412 3590 8 441	4 Nm	4 Nm
S550	2009	Schrader Electronics	A0025409017	3590 8 431	6 Nm	–
	2010 – 2011		A0035400217	3590 8 431	6 Nm	–
	2012		A0009054100	3590 8 431	6 Nm	–
	2013 – 2014		A0009057200	3590 8 431	6 Nm	–
S600	2002 – 07/2005	Huf	A0008223306	3590 8 409 / 3590 8 410 3590 8 411 / 3590 8 412 3590 8 441	4 Nm	4 Nm
	from 07/2009	Schrader Electronics	A0025409017	3590 8 431	6 Nm	–
	2010 – 2011		A0035400217	3590 8 431	6 Nm	–
	2012		A0009054100	3590 8 431	6 Nm	–
	2013		A0009057200	3590 8 431	6 Nm	–
S63 AMG	from 07/2009	Schrader Electronics	A0025409017	3590 8 431	6 Nm	–
	2010 – 2011		A0035400217	3590 8 431	6 Nm	–
	2012		A0009054100	3590 8 431	6 Nm	–
	2013 – 2014		A0009057200	3590 8 431	6 Nm	–
S65 AMG	to 07/2005	Huf	A0008223306	3590 8 409 / 3590 8 410 3590 8 411 / 3590 8 412 3590 8 441	4 Nm	4 Nm
	from 07/2009	Schrader Electronics	A0025409017	3590 8 431	6 Nm	–
	2010 – 2011		A0035400217	3590 8 431	6 Nm	–
	2012		A0009054100	3590 8 431	6 Nm	–
	2013		A0009057200	3590 8 431	6 Nm	–
SL500	2001 - 07/2005	Huf	A0008223306	3590 8 409 / 3590 8 410 3590 8 411 / 3590 8 412 3590 8 441	4 Nm	4 Nm

Vehicle		Sensor		TPMS Service-Kit		
Model	Year of manufacture	Manufacturer OE-Sensor	OE-Sensor Number	Art.-No.*	Torque	
					Nut	Bolt
MERCEDES-BENZ						
SL55 AMG	2003 – 07/2005	Huf	A0008223306	3590 8 409 / 3590 8 410 3590 8 411 / 3590 8 412 3590 8 441	4 Nm	4 Nm
SL550	2012 – 2014	Schrader Electronics	A0009054100	3590 8 431	6 Nm	–
SL600	2001 – 07/2005	Huf	A0008223306	3590 8 409 / 3590 8 410 3590 8 411 / 3590 8 412 3590 8 441	4 Nm	4 Nm
SL63 AMG	2012	Schrader Electronics	A0009054100	3590 8 431	6 Nm	–
	2013 – 2014		A0009057200	3590 8 431	6 Nm	–
SL65 AMG	2005	Huf	A0008223306	3590 8 409 / 3590 8 410 3590 8 411 / 3590 8 412 3590 8 441	4 Nm	4 Nm
	2013 – 2014	Schrader Electronics	A0009057200	3590 8 431	6 Nm	–
SLK250	2012	Schrader Electronics	A0009054100	3590 8 431	6 Nm	–
	2013		A0009057200	3590 8 431	6 Nm	–
SLK280	2007 – 2008	Schrader Electronics	A0025409017	3590 8 431	6 Nm	–
SLK300	2009	Schrader Electronics	A0025409017	3590 8 431	6 Nm	–
	2010 – 2011		A0035400217	3590 8 431	6 Nm	–
SLK350	2007 – 2009	Schrader Electronics	A0025409017	3590 8 431	6 Nm	–
	2010 – 2011		A0035400217	3590 8 431	6 Nm	–
	2012		A0009054100	3590 8 431	6 Nm	–
	2013		A0009057200	3590 8 431	6 Nm	–
SLK55 AMG	2007 – 2009	Schrader Electronics	A0025409017	3590 8 431	6 Nm	–
	2010		A0035400217	3590 8 431	6 Nm	–
	2012		A0009054100	3590 8 431	6 Nm	–
	2013		A0009057200	3590 8 431	6 Nm	–
SLR McLaren	2004 – 2009	Huf	A0008223306	3590 8 409 / 3590 8 410 3590 8 411 / 3590 8 412 3590 8 441	4 Nm	4 Nm
SL-Roadster	2001 – 2005	Huf	A0008223306	3590 8 409 / 3590 8 410 3590 8 411 / 3590 8 412 3590 8 441	4 Nm	4 Nm
SLS AMG	2010 – 2011	Schrader Electronics	A0035400217	3590 8 431	6 Nm	–
	2012		A0009054100	3590 8 431	6 Nm	–
	2013 – 2014		A0009057200	3590 8 431	6 Nm	–
Sprinter	from 11/2011	Schrader Electronics	A0035400217	3590 8 431	6 Nm	–
	2012 – 2013		A0009054100	3590 8 431	6 Nm	–
	2014		A0009057200	3590 8 431	6 Nm	–
MINI						
Clubman	2008 – 2009	Huf	36236781847	3590 8 409 / 3590 8 410 3590 8 411 / 3590 8 412 3590 8 441	4 Nm	4 Nm
	2010 – 2013		36106790054	3590 8 409 / 3590 8 410 3590 8 411 / 3590 8 412 3590 8 441	4 Nm	4 Nm
	2014		36106856227	3590 8 409 / 3590 8 410 3590 8 411 / 3590 8 412 3590 8 441	4 Nm	4 Nm
Cooper	2007 – 2009	Huf	36236781847	3590 8 409 / 3590 8 410 3590 8 411 / 3590 8 412 3590 8 441	4 Nm	4 Nm
	2010 – 2013		36106790054	3590 8 409 / 3590 8 410 3590 8 411 / 3590 8 412 3590 8 441	4 Nm	4 Nm
	2014		36106856227	3590 8 409 / 3590 8 410 3590 8 411 / 3590 8 412 3590 8 441	4 Nm	4 Nm

Vehicle		Sensor		TPMS Service-Kit		
Model	Year of manufacture	Manufacturer OE-Sensor	OE-Sensor Number	Art.-No.*	Torque	
					Nut	Bolt
MINI						
Countryman	2010 – 2013	Huf	36106790054	3590 8 409 / 3590 8 410 3590 8 411 / 3590 8 412 3590 8 441	4 Nm	4 Nm
	to 07/2014		36106856227	3590 8 409 / 3590 8 410 3590 8 411 / 3590 8 412 3590 8 441	4 Nm	4 Nm
	from 07/2014		36106798872	3590 8 409 / 3590 8 410 3590 8 411 / 3590 8 412 3590 8 441	4 Nm	4 Nm
Hatch	2007 – 2009	Huf	36236781847	3590 8 409 / 3590 8 410 3590 8 411 / 3590 8 412 3590 8 441	4 Nm	4 Nm
	2010 – 2013		36106790054	3590 8 409 / 3590 8 410 3590 8 411 / 3590 8 412 3590 8 441	4 Nm	4 Nm
NISSAN						
Almera	2013 – 2014	Continental	407003VU0A	3590 8 437	8 Nm	–
Leaf	from 10/2010	Pacific	–	3590 8 477	4 Nm	–
Note	2013 – 2014	Continental	407003VU0A	3590 8 437	8 Nm	–
NV200	2010 – 2014	Continental	407003VU0A	3590 8 437	8 Nm	–
Primera P12	2002 – 2007	Schrader Electronics	40700 AV600	3590 8 423	7 Nm	–
Qashqai	2013 – 2014	Continental	407003VU0A	3590 8 437	8 Nm	–
Sentra	2014	Continental	407003VU0A	3590 8 437	8 Nm	–
Teana J32	2014	Continental	407003VU0A	3590 8 437	8 Nm	–
X-Trail	2014	Continental	407003VU0A	3590 8 437	8 Nm	–
OPEL						
Ampera	2011 – 2014	Schrader Electronics	13348393	3590 8 423	7 Nm	–
Astra H	2004 – 2009	Schrader Electronics	13354312	3590 8 423	7 Nm	–
Astra J	2009 – 05/2014	Schrader Electronics	13327259	3590 8 423	7 Nm	–
Cascada	2013 – 05/2014	Schrader Electronics	13348393	3590 8 423	7 Nm	–
Insignia	2008 – 2014	Schrader Electronics	13348393	3590 8 423	7 Nm	–
Signum	2002 – 2009	Schrader Electronics	13172567	3590 8 423	7 Nm	–
Vectra B	2002	Schrader Electronics	13172567	3590 8 423	7 Nm	–
Vectra C	2003 – 2008	Schrader Electronics	13172567	3590 8 423	7 Nm	–
Vectra Estate	2005 – 2009	Schrader Electronics	13172567	3590 8 423	7 Nm	–
Zafira B	2004 – 2008	Schrader Electronics	13354312	3590 8 423	7 Nm	–
	2009 – 2011		13172567	3590 8 423	7 Nm	–
Zafira C	2012 – 2014	Schrader Electronics	13348393	3590 8 423	7 Nm	–
Zafira Tourer C	2009 – 2014	Schrader Electronics	13348393	3590 8 423	7 Nm	–
PEUGEOT						
1007	2005 – 2009	Continental	5430T4	3590 8 425	3 Nm	3 Nm
207	2004 – 09/2013	Continental	5430T4	3590 8 425	3 Nm	3 Nm
3008	2009 – 09/2013	Schrader Electronics	9673860880	3590 8 405	–	1,4 Nm
307	2003 – 03/2007	Continental	5430T4	3590 8 425	3 Nm	3 Nm
	03/2007 – 2011	Schrader Electronics	9673860880	3590 8 405	–	1,4 Nm
308	2007 – 09/2013	Schrader Electronics	9673860880	3590 8 405	–	1,4 Nm
308 SW	2008 – 2012	Schrader Electronics	9673860880	3590 8 405	–	1,4 Nm
407	2004 – 2010	Continental	5430T4	3590 8 425	3 Nm	3 Nm
407 coupé	2004 – 2010	Continental	5430T4	3590 8 425	3 Nm	3 Nm
407 SW	2004 – 2011	Continental	5430T4	3590 8 425	3 Nm	3 Nm
5008	09/2009 – 2012	Schrader Electronics	9673860880	3590 8 405	–	1,4 Nm
508	2010 – 09/2013	Continental	5430T4	3590 8 425	3 Nm	3 Nm
607 II	08/2004 – 2010	Continental	5430T4	3590 8 425	3 Nm	3 Nm
807	08/2005 – 2014	Continental	5430T4	3590 8 425	3 Nm	3 Nm
Expert	2011 – 2014	Schrader Electronics	9677130580	3590 8 405	–	1,4 Nm
Partner	2008 – 2014	Schrader Electronics	9673860880	3590 8 405	–	1,4 Nm
RCZ	2010 – 09/2013	Schrader Electronics	9673860880	3590 8 405	–	1,4 Nm

Vehicle		Sensor		TPMS Service-Kit		
Model	Year of manufacture	Manufacturer OE-Sensor	OE-Sensor Number	Art.-No.*	Torque	
					Nut	Bolt
PORSCHE						
911	2004 – 04/2008	Huf	997 606 021 00	3590 8 409 / 3590 8 410 3590 8 411 / 3590 8 412 3590 8 441	4 Nm	4 Nm
	04/2008 – 2011		958 361 661 00	3590 8 409 / 3590 8 410 3590 8 411 / 3590 8 412 3590 8 441	4 Nm	4 Nm
	2012 – 2014		7PP 907 275F	3590 8 409 / 3590 8 410 3590 8 411 / 3590 8 412 3590 8 441	4 Nm	4 Nm
918 Spyder	2013 – 2014	Huf	7PP 907 275F	3590 8 409 / 3590 8 410 3590 8 411 / 3590 8 412 3590 8 441	4 Nm	4 Nm
997	2007 – 2009	Huf	997 606 021 00	3590 8 409 / 3590 8 410 3590 8 411 / 3590 8 412 3590 8 441	4 Nm	4 Nm
	2010 – 2013		958 361 661 00	3590 8 409 / 3590 8 410 3590 8 411 / 3590 8 412 3590 8 441	4 Nm	4 Nm
Boxster	2004 – 2009	Huf	997 606 021 00	3590 8 409 / 3590 8 410 3590 8 411 / 3590 8 412 3590 8 441	4 Nm	4 Nm
	2010 – 2012		958 361 661 00	3590 8 409 / 3590 8 410 3590 8 411 / 3590 8 412 3590 8 441	4 Nm	4 Nm
	2013 – 2014		7PP 907 275F	3590 8 409 / 3590 8 410 3590 8 411 / 3590 8 412 3590 8 441	4 Nm	4 Nm
Carrera GT	2004 – 2007	Huf	997 606 021 00	3590 8 409 / 3590 8 410 3590 8 411 / 3590 8 412 3590 8 441	4 Nm	4 Nm
Cayenne	2002 – 2006	Huf	955 361 661 00	3590 8 409 / 3590 8 410 3590 8 411 / 3590 8 412 3590 8 441	4 Nm	4 Nm
	2007 – 2009		955 606 021 00	3590 8 409 / 3590 8 410 3590 8 411 / 3590 8 412 3590 8 441	4 Nm	4 Nm
	2010 – 2013		958 361 661 00	3590 8 409 / 3590 8 410 3590 8 411 / 3590 8 412 3590 8 441	4 Nm	4 Nm
	2014		7PP 907 275F	3590 8 409 / 3590 8 410 3590 8 411 / 3590 8 412 3590 8 441	4 Nm	4 Nm

Vehicle		Sensor		TPMS Service-Kit		
Model	Year of manufacture	Manufacturer OE-Sensor	OE-Sensor Number	Art.-No.*	Torque	
					Nut	Bolt
PORSCHE						
Cayman	2005 – 2009	Huf	997 606 021 00	3590 8 409 / 3590 8 410 3590 8 411 / 3590 8 412 3590 8 441	4 Nm	4 Nm
	2010 – 2013		958 361 661 00	3590 8 409 / 3590 8 410 3590 8 411 / 3590 8 412 3590 8 441	4 Nm	4 Nm
	2014		7PP 907 275F	3590 8 409 / 3590 8 410 3590 8 411 / 3590 8 412 3590 8 441	4 Nm	4 Nm
Macan	2014	Huf	5Q0 907 275	3590 8 409 / 3590 8 410 3590 8 411 / 3590 8 412 3590 8 441	4 Nm	4 Nm
Panamera	2009	Huf	997 606 021 20	3590 8 409 / 3590 8 410 3590 8 411 / 3590 8 412 3590 8 441	4 Nm	4 Nm
	2010 – 2013		958 361 661 00	3590 8 409 / 3590 8 410 3590 8 411 / 3590 8 412 3590 8 441	4 Nm	4 Nm
	2014		5Q0 907 275	3590 8 409 / 3590 8 410 3590 8 411 / 3590 8 412 3590 8 441	4 Nm	4 Nm
RENAULT						
Clio III	2005 – 2012	Schrader Electronics	8200924614	3590 8 421	7,5 Nm	–
Clio IV	2012 – 2014	Schrader Electronics	8200924614	3590 8 421	7,5 Nm	–
Espace IV	2003 – 2012	Schrader Electronics	8200169160	3590 8 421	7,5 Nm	–
Fluence	2010 – 2014	Continental	407000435R	3590 8 432	8 Nm	–
Laguna II	2002 – 2005	Schrader Electronics	8200169160	3590 8 421	7,5 Nm	–
Laguna II restylée	2005 – 2007	Schrader Electronics	8200169160	3590 8 421	7,5 Nm	–
Laguna III	2007 – 2014	Continental	407000435R	3590 8 432	8 Nm	–
Latitude	2011 – 2014	Continental	407000435R	3590 8 432	8 Nm	–
Megane I	2001 – 2002	Schrader Electronics	8200169160	3590 8 421	7,5 Nm	–
Megane III	2008 – 2014	Continental	407000435R	3590 8 432	8 Nm	–
Modus	2005 – 2012	Schrader Electronics	8200253215	3590 8 421	7,5 Nm	–
Scenic I	2001 – 2003	Schrader Electronics	8200169160	3590 8 421	7,5 Nm	–
Scenic III	2009 – 2014	Continental	407000435R	3590 8 432	8 Nm	–
Scenic RX4	2001 – 2003	Schrader Electronics	8200169160	3590 8 421	7,5 Nm	–
Vel Satis	2002 – 2009	Schrader Electronics	8200169160	3590 8 421	7,5 Nm	–
ROLLS ROYCE						
Ghost	2010 – 2013	Huf	36106790054	3590 8 409 / 3590 8 410 3590 8 411 / 3590 8 412 3590 8 441	4 Nm	4 Nm
	2014		36106856227	3590 8 409 / 3590 8 410 3590 8 411 / 3590 8 412 3590 8 441	4 Nm	4 Nm
Phantom	2010 – 2013	Huf	36106790054	3590 8 409 / 3590 8 410 3590 8 411 / 3590 8 412 3590 8 441	4 Nm	4 Nm
	2014		36106856227	3590 8 409 / 3590 8 410 3590 8 411 / 3590 8 412 3590 8 441	4 Nm	4 Nm

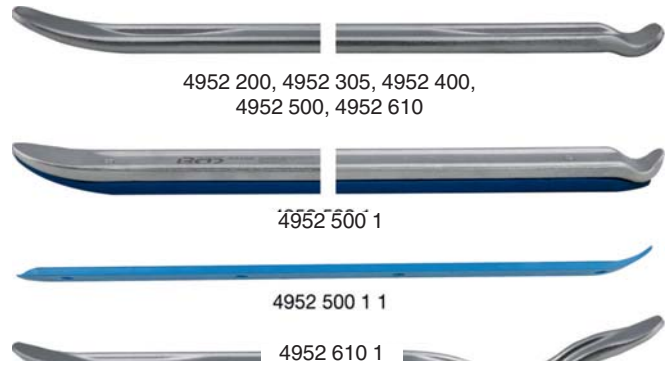
Vehicle		Sensor		TPMS Service-Kit		
Model	Year of manufacture	Manufacturer OE-Sensor	OE-Sensor Number	Art.-No.*	Torque	
					Nut	Bolt
SAAB						
9-3	2003 – 2006	Schrader Electronics	13172567	3590 8 423	7 Nm	–
	2006 – 2009		13227143	3590 8 423	7 Nm	–
	2009 – 2012		13348393	3590 8 423	7 Nm	–
9-5	2006 – 2009	Schrader Electronics	13227143	3590 8 423	7 Nm	–
	2009 – 2012		13348393	3590 8 423	7 Nm	–
SMART						
Fortwo	2007 – 2012	Schrader Electronics	A0009054100	3590 8 431	6 Nm	–
	2013 – 2014		A0009057200	3590 8 431	6 Nm	–
SUZUKI						
Alto	2014	Continental	43139-61M00	3590 8 437	8 Nm	–
Swift		Continental	43139-61M00	3590 8 437	8 Nm	–
SX4	2013 – 2014	Continental	43139-61M00	3590 8 437	8 Nm	–
TOYOTA						
Alphard	from 06/2014	Pacific	42607-42020	3590 8 477	4 Nm	–
Auris	from 06/2014	Pacific	42607-42020	3590 8 477	4 Nm	–
Auris (LCV)	from 06/2014	Pacific	42607-42020	3590 8 477	4 Nm	–
Avensis	from 06/2014	Pacific	42607-42020	3590 8 477	4 Nm	–
Avensis (LCV)	from 06/2014	Pacific	42607-42020	3590 8 477	4 Nm	–
Aygo	from 09/2014	Pacific	42607-42020	3590 8 477	4 Nm	–
Aygo (LCV)	from 09/2014	Pacific	42607-42020	3590 8 477	4 Nm	–
Camry	from 06/2014	Pacific	42607-42020	3590 8 477	4 Nm	–
Corolla	from 09/2014	Pacific	42607-42020	3590 8 477	4 Nm	–
Prius	from 06/2014	Pacific	42607-42020	3590 8 477	4 Nm	–
RAV4	from 01/2013	Pacific	42607-42020	3590 8 477	4 Nm	–
RAV4 (LCV)	from 11/2005	Pacific	42607-42020	3590 8 477	4 Nm	–
Verso-S	from 06/2014	Pacific	42607-42020	3590 8 477	4 Nm	–
Yaris	from 06/2014	Pacific	42607-42020	3590 8 477	4 Nm	–
VAUXHALL MOTORS						
Ampera	2011 – 2014	Schrader Electronics	13348393	3590 8 423	7 Nm	–
Astra H	2004 – 2009	Schrader Electronics	13354312	3590 8 423	7 Nm	–
Astra J	2009 – 2014	Schrader Electronics	13348393	3590 8 423	7 Nm	–
Insignia	2008 – 2014	Schrader Electronics	13348393	3590 8 423	7 Nm	–
Vectra B	2002	Schrader Electronics	13172567	3590 8 423	7 Nm	–
Vectra C	2003 – 2008	Schrader Electronics	13172567	3590 8 423	7 Nm	–
Vectra Estate	2005 – 2009	Schrader Electronics	13172567	3590 8 423	7 Nm	–
Zafira B	2006 – 2008	Schrader Electronics	13354312	3590 8 423	7 Nm	–
	2009 – 2010		13172567	3590 8 423	7 Nm	–
Zafira B	2011	Schrader Electronics	13172567	3590 8 423	7 Nm	–
Zafira Tourer C	2011 – 2012	Schrader Electronics	13348393	3590 8 423	7 Nm	–
VOLKSWAGEN						
CC	2012	Huf	3AA 907 275	3590 8 409 / 3590 8 410 3590 8 411 / 3590 8 412 3590 8 441	4 Nm	4 Nm
	2013		3AA 907 275D	3590 8 409 / 3590 8 410 3590 8 411 / 3590 8 412 3590 8 441	4 Nm	4 Nm
	2014		3AA 907 275B	3590 8 409 / 3590 8 410 3590 8 411 / 3590 8 412 3590 8 441	4 Nm	4 Nm
Crafter	2006 – 2008	Schrader Electronics	A0035400217	3590 8 431	6 Nm	–
	2009 – 2011		A0009054100	3590 8 431	6 Nm	–
	2012 – 2014		A0009057200	3590 8 431	6 Nm	–
Passat CC	2008 – 2012	Huf	3AA 907 275	3590 8 409 / 3590 8 410 3590 8 411 / 3590 8 412 3590 8 441	4 Nm	4 Nm

Vehicle		Sensor		TPMS Service-Kit		
Model	Year of manufacture	Manufacturer OE-Sensor	OE-Sensor Number	Art.-No.*	Torque	
					Nut	Bolt
VOLKSWAGEN						
Passat VII	2010 – 2012	Huf	3AA 907 275	3590 8 409 / 3590 8 410 3590 8 411 / 3590 8 412 3590 8 441	4 Nm	4 Nm
	2013		3AA 907 275D	3590 8 409 / 3590 8 410 3590 8 411 / 3590 8 412 3590 8 441	4 Nm	4 Nm
	2014		5Q0 907 275	3590 8 409 / 3590 8 410 3590 8 411 / 3590 8 412 3590 8 441	4 Nm	4 Nm
Phaeton	2002 – 06/2007	Huf	4D0 907 275	3590 8 409 / 3590 8 410 3590 8 411 / 3590 8 412 3590 8 441	4 Nm	4 Nm
	06/2007 – 2010		4F0 907 275B	3590 8 409 / 3590 8 410 3590 8 411 / 3590 8 412 3590 8 441	4 Nm	4 Nm
	2011		4F0 907 275D	3590 8 409 / 3590 8 410 3590 8 411 / 3590 8 412 3590 8 441	4 Nm	4 Nm
Tiguan	2011 – 2012	Huf	3AA 907 275	3590 8 409 / 3590 8 410 3590 8 411 / 3590 8 412 3590 8 441	4 Nm	4 Nm
	2013		3AA 907 275D	3590 8 409 / 3590 8 410 3590 8 411 / 3590 8 412 3590 8 441	4 Nm	4 Nm
Touareg I	2002 – 2006	Huf	7L0 907 275B	3590 8 409 / 3590 8 410 3590 8 411 / 3590 8 412 3590 8 441	4 Nm	4 Nm
	2007 – 2009		4F0 907 275B	3590 8 409 / 3590 8 410 3590 8 411 / 3590 8 412 3590 8 441	4 Nm	4 Nm
Touareg II	2010	Huf	4F0 907 275B	3590 8 409 / 3590 8 410 3590 8 411 / 3590 8 412 3590 8 441	4 Nm	4 Nm
	2011 – 2014		4F0 907 275D	3590 8 409 / 3590 8 410 3590 8 411 / 3590 8 412 3590 8 441	4 Nm	4 Nm
VOLVO						
S60	2006 – 2009	Schrader Electronics	30748354	3590 8 423	7 Nm	–
V70	2006 – 2008	Schrader Electronics	30748354	3590 8 423	7 Nm	–
XC90	2006 – 2014	Schrader Electronics	30748354	3590 8 423	7 Nm	–

Tyre - Mounting Lever

- Profiled form
- Solid forged
- Chrome-vanadium-steel, chrome-plated
- Art.-No. 4952 500 1: with plastic rail

Article No.	Article Description	QTY
4952 200	TYRE - MOUNTING LEVER 200MM	1
4952 305	TYRE - MOUNTING LEVER 305MM	1
4952 400	TYRE - MOUNTING LEVER 400MM	1 z
4952 500	TYRE - MOUNTING LEVER 500MM	1 z
4952 500 1	TYRE-MOUN.LEV.W.PLST.RAIL500MM	1
4952 500 1 1	PLASTIC RAIL FOR 4952 500 1	1
4952 610	TYRE - MOUNTING LEVER 600MM	1
4952 610 1	TYRE - MOUNT.LEVER EDGED 610MM	1



Rim assembly protection set

- Help-tool for passengers cars and motorcycle rims
- For protecting the wheel rim when installing the tyre
- Base for tyre lever
- Length: 145 mm

Article No.	Article Description	QTY
4952 2	WHEEL RIM MOUNT.PROTECT.SET	1



Half-Moon Tyre Lever

- For damage-free tyre fitting to steel and aluminium wheels
- Solid forged
- Chromium-Vanadium steel, chromium-plated



Technical Data

Length: 49.0 cm
Width: 3.0 cm

Article No.	Article Description	QTY
4952 5000	TYRE - MOUNTING LEVER 500MM	1
4952 5000 1	PLAST.PROTECT.F.HALF-MOON TYRE	1

Your Advantage / Benefit

- Curved shape (half-moon) provides additional tensional force
- Moving plastic protector (replaceable)
- OEM product by Butler (Ravaglioli)

Application

- Ideal for removal aluminium and steel wheels



Related Products

- Tyre Fitting Paste White S431
Art.-No. 6580 5950



- Fine Knitted Gloves Duo Grip
Art.-No. 5405 117 7 - 10



Bead hold-down chain 22" a.traction point holder

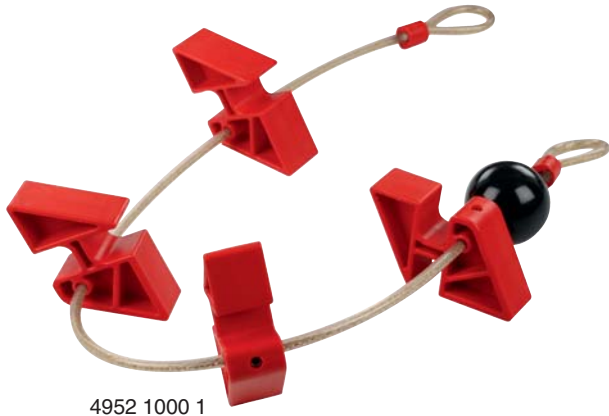
- As an aid for tyre fitting
- Retains the tyre bead in the recess
- Chain length: 22" (Imperial)
- Use tyre fitting compound or tyre fitting fluid

Your Advantage / Benefit

- Ideal for fitting low-profile and RunFlat tyres
- Tyre-protecting fitting - no scratching by the tyre lever
- Suitable for Ravaglioli, Butler and conventional fitting machines (Caution: push-off roller should be present)

Application

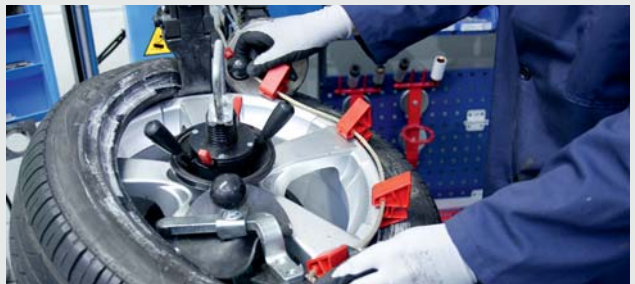
- Place the traction point holder between the spoke on the wheel and clamp the fitting head between the tyre and the rim flange
- Depending on the shape of the rim flange, clamp the relevant wedge on the bead hold-down chain between the rim flange and the tyre
- Start the tyre fitting machine slowly to prevent jamming



4952 1000 1



4952 1000 2



Article No.	Article Description	QTY
4952 1000	BEAD HLD-DOWN CH.22"+TRAC.P.H.	1
4952 1000 1	BEAD HLD-DOWN CH.22"HOLDER	1
4952 1000 2	TRACTION POINT HOLDER	1
4952 1000 2 1	REPLACEMENT HEAD	1

Contents Art.-No. 4952 1000 each 1x:

- Art.-No. 4952 1000 1: Bead hold-down chain 22"
- Art.-No. 4952 1000 2: Traction point holder

Related Products

■ Tyre Fitting Paste White S431
Art.-No. 6580 5950



■ Tyre Assembly Fluid S434
Art.-No. 6580 5956



■ Fine Knitted Gloves Duo Grip
Art.-No. 5405 117 7-10



Four-Way Socket Spanner

- DIN 3119 / ISO 6788
- Chrome-vanadium-steel

Technical Data		
Art.-No.	Measurement	Design
4951 1	420 × 420 mm	
4951 2 1	380 × 380 mm	With 1/2" square-socket wrench intake
4951 3	550 × 550 mm	With very large turned waist
4951 4	550 × 550 mm	With very large turned waist and 1/2" square-socket wrench intake
4951 5	600 × 600 mm	
4951 6	750 × 750 mm	With 3/4" square socket wrench intake
4951 7	750 × 750 mm	With very large waist and 3/4" square-socket wrench intake
4951 9	355 × 355 mm	

Article No.	Article Description	QTY
4951 1	FOUR-W.SOC.SPAN.17X19X21X11/16	1
4951 2 1	FOUR-W.SOC.SPAN.17X19X21X11/16	1
4951 3	FOU-W.SOC.SPANNER 17X19X21X24	1
4951 4	FOU-W.SOC.SPAN.17X19X21X1/2-4K	1
4951 5	WHEEL SPIDER 19X22X24X27	1
4951 6	WHEEL SPIDER 27X32X24X3/4-4K	1
4951 7	WHEEL SPIDER 27X30X32X3/4-4K	1
4951 9	FOUR-W.SOC.SPAN.17X19X22X13/16	1

(SW mm)



Kraft - Torsion-Socket Wrench 1/2"

- Length: 220 mm
- **With torque limitation**
- For controlled tightening of wheel nuts with impact nutsetters
- Prevention of dangerous overexpansion of the bolt
- As the torsional values depend on the type and performance of the used impact nutsetter (should show at least the fourfold torque of the torsion-socket wrench), it is recommended to do the checking with a torque spanner
- Only for clockwise rotation and thus a damage of the torsion zone due to high torques is prevented while loosening the screws .

Article No.	Article Description	QTY
4568 17 75	1/2"TORQUE BAR SW17 75NM GREEN	1 ü
4568 17 110	1/2"TORQUE BAR SW17 110NM RED	1 ü
4568 19 90	1/2"TORQUE BAR SW19 90NM YELL.	1
4568 19 110	1/2"TORQUE BAR SW19 110NM BLUE	1 ü
4568 21 110	1/2"TORQUE BAR SW21 110NM BRO.	1 ü



Impact socket set 1/2", 86 mm

- 3-piece for alloy rims
- Length: 86 mm



Your Advantage / Benefit

- coloured differentiation of individual socket width
- up to 150 % longer life compared to conventional impact nuts for alloy rims
- can still be used due the brass ring, if the nut breaks

Application

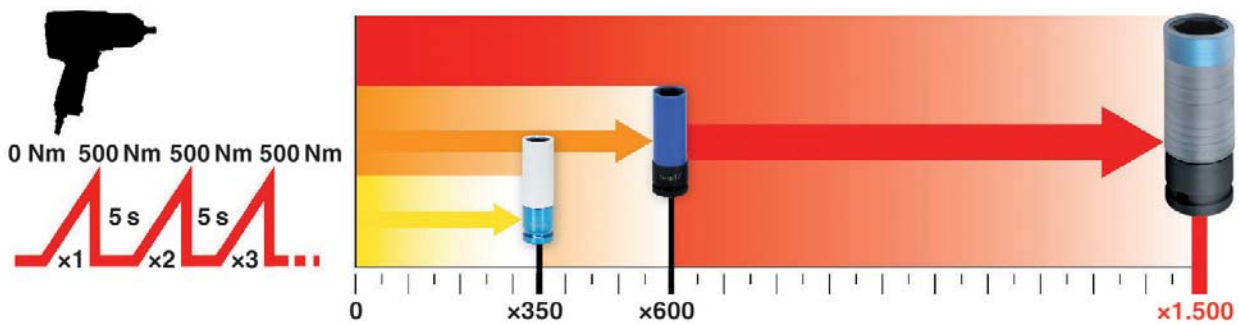
- plastic coated impact socket inserts 1/2" for the safe assembly and disassembly of alloy rims without damaging them



Article No.	Article Description	QTY
4571 12 92	1/2"KR.-SOCK.WR.SET 3-P PLAST.	1

Contents each 1x:

- 1/2" impact socket 86 mm SW 17 blue
- 1/2" impact socket 86 mm SW 19 yellow
- 1/2" impact socket 86 mm SW 21 red



Related Products

■ 1/2"TORQUE WRENCH BL.60-320NM
Art.-No. 4645 12 60 320 2



■ Silent Power Max-Impact Screwdriver 1/2" FÖRCH
Art.-No. 5350 5 2280



■ Knitite gloves, latex, partially coated
Art.-No. 5405 133 7 - 11



Power socket set

- For alloy rims

Article No.	Article Description	QTY
4571 12 15 2	1/2"KRAFT-SO.WR.86MM SW15 GREE	1
4571 12 17 2	1/2"KRAFT-SO.WR.86MM SW17 BLUE	1
4571 12 19 2	1/2"KRAF-SOCK.WR.86MM SW19 YEL	1
4571 12 21 2	1/2"KRAFT-SOCK.WR.86MM SW21 RED	1
4571 12 22 2	1/2"KRAFT-SOCK.WR.86MM SW22	1



Impact socket set 1/2", 110 mm FORCH*****

- Plastic coated impact socket inserts 1/2" for the safe assembly and disassembly of alloy rims without damaging them
- Length: 110 mm
- Colour differentiation of the individual socket widths

Article No.	Article Description	QTY
4571 12 17 50	1/2"KRAF-SO.WR.SW17 BLU110MM5*	e 5
4571 12 19 50	1/2"KRAF-SO.WR.SW19 RED110MM5*	e 5



4571 12 17 50 4571 12 19 50

Kraft Socket Wrench Insert Plastic Sleeves SW17

- Suitable for Kraft socket wrench insert 110 mm

Article No.	Article Description	QTY
4571 12 17 50 1	PLASTIC SLEEVE FOR SW 17 SZ	1
4571 12 19 50 1	PLASTIC SLEEVE FOR SW 19 SZ	1



Kraft Socket Wrench Insert MS 17

- Plastic coated impact socket inserts 1/2" for the safe assembly and disassembly of alloy rims without damaging them
 - Length: 88 mm
- Art.-No. 4571 12 17 6:**
- for Mercedes-wheel bolts with special profile 17 mm
- Art.-No. 4571 12 21 6:**
- For Kia, Hyundai (i30, ix5, Tucson) with special profile 21 mm

Article No.	Article Description	QTY
4571 12 17 6	1/2"KRAFT-SO.WR.SZ88MM MS17	1
4571 12 21 6	1/2"KRAFT-SO.WR.SZ86MM MS21	1



Power socket set plastic sleeves

- Suitable for 86 mm power socket sets

Article No.	Article Description	QTY
4571 12 15 2 1	REPLA.PLASTIC CASING FOR SW15	1
4571 12 17 2 1	REPLA.PLASTIC CASING FOR SW17	1
4571 12 19 2 1	REPLA.PLASTIC CASING FOR SW19	1
4571 12 21 2 1	REPLA.PLASTIC CASING FOR SW21	1
4571 12 22 2 1	REPLA.PLASTIC CASING FOR SW22	1



Kraft - Socket Wrench Insert 1/2“, 86 mm **ECO**

- 3-piece for alloy rims
- Plastic covered Kraft socket wrench inserts 1/2“ for safe assembly and disassembly of alloy rims without risk of damage
- Length: 86 mm
- Wrench sizes with different colours

Article No.	Article Description	QTY
4571 12 90	1/2"KR.-SO.WR.SET 3-P PLAS.ECO	1

Contents each 1x:

- 1/2“ Kraft socket wrench insert 86 mm SW 17 blue
- 1/2“ Kraft socket wrench insert 86 mm SW 19 yellow
- 1/2“ Kraft socket wrench insert 86 mm SW 21 red



Kraft - Socket Wrench Insert 1/2“, 86 mm **ECO**

- 3-part for alloy rims
- Plastic mantled Kraft socket wrench inserts 1/2“ for safe assembly and disassembly of alloy rims without damaging
- Length: 86 mm
- Distinction of the wrench width based on colour

Article No.	Article Description	QTY
4571 12 15 1	1/2"KRAFT-SOCK.WR.86MM SW15ECO	1
4571 12 17 1	1/2"KRAFT-SOCK.WR.86MM SW17ECO	1
4571 12 19 1	1/2"KRAFT-SOCK.WR.86MM SW19ECO	1
4571 12 21 1	1/2"KRAFT-SOCK.WR.86MM SW21ECO	1
4571 12 22 1	1/2"KRAFT-SOCK.WR.86MM SW22ECO	1



Kraft-Socket Wrench Set 1/2“, 150 mm

- 3-piece for alloy rims
- Plastic covered 1/2“ socket wrench inserts for safe assembly and disassembly of alloy rims without damaging them
- Length: 150 mm
- Head size with different colours
- No torque falsification due to the use of extensions



Article No.	Article Description	QTY
4571 12 150	1/2" XL KRAFT-NUT SET 3-PIECE	1

Contents each 1x:

- 1/2“ Kraft-wrench 150 mm SW 17 blue
- 1/2“ Kraft-wrench 150 mm SW 19 yellow
- 1/2“ Kraft-wrench 150 mm SW 21 red
- Replacement plastic casing for SW 17 / 19 / 21



Kraft - Socket Wrench Insert 1/2“, 150 mm

- For alloy rims

Article No.	Article Description	QTY
4571 12 150 17	1/2"KRAFT SO.WR.INS.150MM SW17	1
4571 12 150 19	1/2"KRAFT SO.WR.INS.150MM SW19	1
4571 12 150 21	1/2"KRAFT SO.WR.INS.150MM SW21	1



Kraft-Plastic Casings for Wrench Socket Insert

- Suitable for Kraft wrench socket inserts 86 mm and 150 mm

Article No.	Article Description	QTY
4571 12 15 55	PLASTIC CASING FOR SW15 ID21MM	1
4571 12 17 55	PLASTIC CASING FOR SW17 ID24MM	1
4571 12 19 55	PLASTIC CASING FOR SW19 ID26MM	1
4571 12 21 55	PLASTIC CASING FOR SW21 ID29MM	1



Dead Blow Hammer

- Careful fitting or loosening of work pieces / connections that require high power with cars, machinery, steel construction and trade
- To loosen jammed wheels when removing tyres on cars / trucks
- Better residue-free impact due to moving steel balls in the hammer-head
- Heavy duty design for excessive impact
- Elastic material (polyurethane / rubber mix) prevents further damage to the work piece

Technical Data		
	Art.-No. 4726 4800	Art.-No. 4726 1000
Head (L x W x H):	170 x 105 x 105 mm	115 x 55 x 55 mm
Length:	900 mm	355 mm
Weight:	4800 g	1000 g
Material:	polyurethane (PU)	polyurethane (PU)



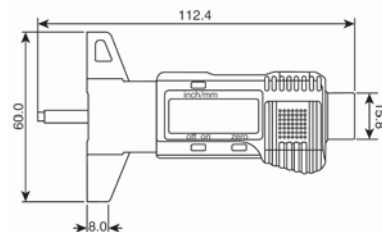
Article No.	Article Description	QTY
4726 4800	DEAD BLOW HAMMER 4800G	1
4726 1000	DEAD BLOW HAMMER 1000G	1 s

Digital Tread Depth Gauge FORCH*****

- Test area: 0 – 25 mm / 0 – 1"
- Solution: 0.01 mm / 0.0005"
- Can be switched from mm to inches
- Automatic shut-down
- Temperature area: 0 – 40 °C
- Suitable button cells: Art.-No. 3882 27 (in scope of delivery)



Article No.	Article Description	QTY
3530 5 25	DIGI.TREAD DEP.GAUGE 0-25MM 5*	1



Tyre Pattern - Depth Gauge

- Material: brass
- With vernier gauge 1/10 mm
- Measuring range: 0 – 30 mm

Article No.	Article Description	QTY
3530 30	TYRE PATTERN-DEPTH GAUGE 30MM	1



Adhesive Weight Remover

- For the removal of adhesive weights at light-alloy wheels without damaging alloy wheel rims
- Blade width: 19 mm



Article No.	Article Description	QTY
3530 5	ADH.WEIGHT REMOVER WEDGE	1

Thread Repair and Cleaning Set

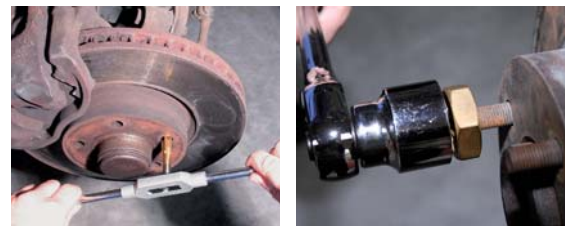
- Repair kit for cleaning and re-cutting of threads of wheel hubs, stud bolts, wheel nuts and wheel bolts



Article No.	Article Description	QTY
5569 90	THREAD REPAIR AND CLEANING SET	1

Scope of delivery:

- Art.-No. 5537 12 125 1: Threaded drill M12 x 1.25
- Art.-No. 5537 12 15 1: Threaded drill M12 x 1.5
- Art.-No. 5537 14 15 1: Threaded drill M14 x 1.5
- Art.-No. 5553 12 125 1: Die nut M12 x 1.25
- Art.-No. 5553 12 15 1: Die nut M12 x 1.5
- Art.-No. 5553 14 15 1: Die nut M14 x 1.5
- Art.-No. 4965 12: Thread gauge metric
- Art.-No. 5560 2: Tap wrench
- Art.-No. 5503 65: Core drill HSS-TIN 6.5 mm
- Art.-No. 5503 75: Core drill HSS-TIN 7.5 mm
- Art.-No. 4960 12 1: Screw extractor M12
- Art.-No. 4960 14 1: Screw extractor M14



Spiral Extractor Set Duo, 4-pieces

- Shock-proof, spiral extractor (can be used on both sides) with 6-bladed coarse and 12-bladed fine, tapered cutting thread
- The square hitch is located in the middle of the sockets and can be adapted with the enclosed short extension (1/2"-drive)
- Material: high quality chrome molybdenum steel with phosphated surface

6-spiral coarse turning side:

- Removal of damaged metric screws, butts and bolts in sizes SW17, SW19, SW21

12-spiral, tapered cutting thread:

- Extended fit
- Extremely acidic
- Can also be used where normal turning screws cannot be slid over the defective part
- Removal of badly deformed or tapered screws, nuts and bolts
- For metric, fractional, XZN, E-TX- drives etc.
- Specially for the removal of badly damaged / destroyed wheel locks or e.g. when wheel locks are lost



Article No.	Article Description	QTY
4961 3	SPIRAL EXTRACTOR SET DUO 4 PCE	1

Contents each1x:

- Art.-No. 49613 10: motor for spiral extractor set 1/2"
- Art.-No. 49613 17: DL duo spiral extractor nut SW17 mm
- Art.-No. 49613 19: DL duo spiral extractor nut SW19 mm
- Art.-No. 4961321: DL duo spiral extractor nut SW21 mm



Wheel Lock Opener Set for Tyre Protection

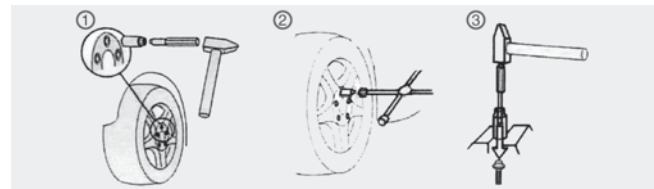
- 10-piece
- Opens almost all wheel buckles without damage
- Conical fit enables max. force
- In plastic case

Instructions for use:

- Remove grease from the sleeves before use and roughen with abrasive paper!
- Only use the tool at ambient temperatures of more than 20° C. If necessary, warm up the sleeves before use.
 1. Fit the fitting sleeve over the tyre protector. Use a heavy hammer to hammer the sleeve straight onto the tyre protector. If the screws are deep-seated, use the impact mandrel.
 2. Screw out the tyre protector with the cross spanner.
 3. Remove the tyre protector from the sleeve using the impact mandrel and put it in the vice (see picture). The sleeves are conical inside and are able to adapt to all intermediate sizes. (Recommendation: abrade the sleeves in 2 mm-steps)

Note:

- If the tyre protectors are tightly jammed before application of the sleeves, compress the tyre protectors!
- To do this, use the impact mandrel and the 2,000 g hammer.



Article No.	Article Description	QTY
3530 10	WHEEL LOCK OPENER SET II	1

Contents:

- 2x mandrels
- 8x conical demounting sleeves

Wheel Lock Opener Set - Accessories

Article No.	Article Description	QTY
3530 10 18	DEMOUNT.SLEEVE 18MM 80.01.18AN	1
3530 10 19	DEMOUNT.SLEEVE 19MM 80.02.19AN	1
3530 10 20	DEMOUNT.SLEEVE 20MM 80.03.20AN	1
3530 10 21	DEMOUNT.SLEEVE 21MM 80.04.21AN	1
3530 10 22	DEMOUNT.SLEEVE 22MM 80.05.22AN	1
3530 10 23	DEMOUNT.SLEEVE 23MM 80.06.23AN	1
3530 10 24	DEMOUNT.SLEEVE 24MM 80.07.24AN	1
3530 10 25	DEMOUNT.SLEEVE 25MM 80.08.25AN	1



Tyre Assembly Fluid S434

- Transparent mounting, dismounting and care fluid
- For easy mounting and and dismounting of all types of tyres



6580 5956



6580 5957



6580 5958

Article No.	Article Description	QTY
6580 5956	TYRE ASSEM.FLUID AC S434 400ML	e 12
6580 5957	TYRE ASSEM.FLUID HS S434 400ML	e 12
6580 5958	TYRE ASSEMBLY FLUID S434 5L	1

AC = aerosol can HS = hand sprayer

Suitable sink tap :

- 5 l: Art.-No. 6000 0023

Your Advantage / Benefit

- also for motorbikes, trucks, wide-base and run-flat tyres
- recommended for the assembly of tyres together with TPM sensors
- high lubricating action, quick-drying
- no visual residue on tyre edges
- works well on the tyre material, prevents cracks and signs of ageing
- biodegradable
- silicone-free

Application

- Thinly apply to the tyre bead with the hand spray and with regards trucks' and EM tyres, also spray the rim well and bead seat ring
- The tyre mounting fluid guarantees the technically correct fit of the tyre in the rim as a pre-requisite for the precise wheel balancing and facilitates the subsequent dismounting



Related Products

- Pressure Pump Spray
Art.No. 6000 0065



- Fine Knitted Gloves Duo Grip
Art.No. 5405 117 7 - 10



- Funnel
Art.No. 5421 27



Tyre Fitting Paste White S431

- Contents: 5 kg (Art.-No. 6580 5950) or 1 kg (Art.-No. 6580 5954)
- For fast, easy and protective tyre assembly
- Easy to apply
- Economical in use
- Ensures a perfect fit and prevents the tyre sticking to the rim
- Skin-friendly, biodegradable
- Silicone-free
- Tyre Fitting Paste White S431 suitable for run-flat tyres!

Article No.	Article Description	QTY
6580 5950	TYRE FITT.PASTE WHITE S431 5KG	1
6580 5954	BA(1KG)TYRE FITT.PASTE WH S431	8
6580 5951	ANGLED PAINT-BRUSH 14/50MM	1 z



Tyre Fitting Paste Black S432

- Contents: 5 kg (Art.-No. 6580 5952) or 1 kg (Art.-No. 6580 5953)
- No additional cleaning after tyre assembly required
- Absolutely flush mounting through adjusted venting time, bulge-tight
- The almost unavoidable dirt formation in the bucket remains invisible during work
- Permanently clean quality paste
- Silicone-free
- Tyre Fitting Paste Black S432 is suitable for run-flat tyres

Article No.	Article Description	QTY
6580 5952	TYRE FITT.PASTE BLACK S432 5KG	1
6580 5953	BA(1KG)TYRE FITT.PASTE BK S432	e 8
6580 5951	ANGLED PAINT-BRUSH 14/50MM	1 z



Tyre fitting compound, SPORT S435

- Contents: 5 kg
- specially for run-flat tyres, wide tyres and motorcycle tyres
- easy to assemble and disassemble because the tyre does not stick to the rim
- prevents cracks and ageing problems; you hardly need any to do the job and it is fast-drying
- requires minimal force and time due to high lubricity; has a beneficial effect on the tyre material
- special wax components guarantee a high-strength lubricating film with excellent anti-friction properties.
- economical to use
- Colour: blue



Article No.	Article Description	QTY
6580 5959	BU(5KG)TYR.FIT.COMP.SPORT S435	1

Tyre fitting compound, **TRUCKline** S436

- Contents: 5 kg
- Specially developed for assembling truck, agricultural and industrial tyres (EM)
- Prevents cracks and ageing problems; you hardly need any to do the job and it is fast-drying
- Easy to assemble and disassemble because the tyre does not stick to the rim
- Requires minimal force and time due to high lubricity; has a beneficial effect on the tyre material
- Colour: brown

CAUTION: Not suitable for passenger car tyre assembly because of long evaporation characteristics.



Article No.	Article Description	QTY
6580 5960	TYRE FITT.COMP.TRUCK S436 -5KG	1

Tyre Covers

- For clean transport of the tyres
- Optimum customer service after the tyre change
- Polyethylene, white
- Delivery form: rolls of 100 pieces

Art.-No. 5419 85

- Dimension (L x W x H): 860 x 650 x 210 mm

Art.-No. 5419 86

- Dimension (L x W x H): 1,000 x 700 x 300 mm

Art.-No. 5419 87

- Dimension (L x W x H): 1,200 x 700 x 500 mm



Article No.	Article Description	QTY
5419 85	RO(100)TYRE COVER	1
5419 86	RO(100)WIDE TYRE BAG	1
5419 87	RO(100)JUMBO TYRE COVER	1

Tyre Bolt Bag

- For the storage of unneeded tyre bolts
- Optimum customer service after tyre change
- Size (L x W): 200 x 150 mm



Article No.	Article Description	QTY
5419 89	CARTON(50) TYRE BOLT BAGS	1

Tyre Marker

- For marking tyres concerning vehicle details, tyre allocation, tyre damages etc.
- Waterproof rubber marker, also usable for many application fields
- Suitable for dry and wet tyres, metals and alloys, plastics, acrylic glass, wood, cork, glass, porcelain, ceramics, earthenware, terracotta, concrete, masonry, brick, stone cartons as well as further smooth and rough surfaces

Art.-No. 3595 10 and 3595 11:

- Dimension (Ø x L): 10 x 90 mm

Art.-No. 3595 30 and 3595 31:

- Dimension (Ø x L): 18 x 90 mm

Article No.	Article Description	QTY
3595 1	UNIV.TYRE MARKER HOLDER 10MM	1 z
3595 10	UNIV.TYRE MARKER WHITE 10MM	12
3595 11	UNIV.TYRE MARKER YELLOW 10MM	12
3595 30	UNIV.TYRE MARKER WHITE 18MM	12
3595 31	UNIV.TYRE MARKER YELLOW 18MM	12



3595 1



3595 10



3595 11



3595 30



3595 31

Speed Sticker Set

- Note when fitting of winter tyres - always adhere to the maximum allowed speed
- Light-fast, heat-resistant, self-adhesive
- Dimension of the sticker: Ø 25 mm
- In a dispenser made from PP with eyelets for hanging
- Dimensions of dispenser (L x W x D): 225 x 95 x 65 mm

Article No.	Article Description	QTY
3530 7	SPEED STICKER SET 6X100 PIECES	1

Contents each 1x:

- Art.-No. 3530 160: Pck.(100) sticker Q 160 km/h
- Art.-No. 3530 170: Pck.(100) sticker R 170 km/h
- Art.-No. 3530 180: Pck.(100) sticker S 180 km/h
- Art.-No. 3530 190: Pck.(100) sticker T 190 km/h
- Art.-No. 3530 210: Pck.(100) sticker H 210 km/h
- Art.-No. 3530 240: Pck.(100) sticker V 240 km/h (code letter for top speed)



Speed Sticker

- Note when fitting of winter tyres - always adhere to the maximum allowed speed
- Light-fast, heat-resistant, self-adhesive
- Dimension of the sticker: Ø 25 mm

Article No.	Article Description	QTY
3530 160	PCK(100)STICKER Q 160KM/H	1
3530 170	PCK(100)STICKER R 170KM/H	1
3530 180	PCK(100)STICKER S 180KM/H	1
3530 190	PCK(100)STICKER T 190KM/H	1
3530 210	PCK(100)STICKER H 210KM/H	1
3530 240	PCK(100)STICKER V 240KM/H	1

(code letter for top speed)



3530 160



3530 170



3530 180



3530 190



3530 210



3530 240

Wheel / Tyre Label

- For marking tyres or wheels during seasonal storage
- Simple and quick attachment to the tyre / wheel
- Ideal visibility of the label due to optimum position
- Can be fixed and disassembled as often as required
- Protection against moisture
- Tyre can be cleaned with high-pressure cleaner when marked
- Label can be used several times
- Length: 80 cm



Article No.	Article Description	QTY
3530 60	KT(100)TYRE/WHEEL LABEL	1
3530 60 1	BL(100)DEPO.F.TYRE/WHEEL LABEL	1

Tyre-Storage Data Block

- Enables optimum organisation of wheel storage - the service for better customer retention
- For 50 sets of tyres including one sheet for each customer and workshop as well as four adhesive labels for marking the tyres
- The permanent numbering at the head and the repetition of this numerical order on the adhesive labels provide a clear connection between the wheel set and the customer
- Size (H x W): 200 x 95 mm
- Free space on top for individual stamping



Article No.	Article Description	QTY
3530 50	TYRE-STORAGE DATA BLOCK	1

Wheel Label

- Enables optimum organisation of wheel storage due to unique allocation
- Simple and quick attachment to the valve
- Especially resistant made from environmentally-friendly PP
- Stickers from the tyre storage sheet block can be pushed into the wheel label and are protected against moisture at the same time
- Re-usable



Article No.	Article Description	QTY
3530 52	KT(100)WHEEL LABEL	1

The Perfect Tyre Repair

- Tyre repair sticks pass all TÜV's lifetime and high-speed tests without difficulty
- System fully complies with all regulations for repair of radial and cross-ply, tubeless tyres
- Tyre repair sticks and liquid patches are 100 % self-vulcanising
- Tyre repair sticks in tyres and steel belts have high tensile and shear strength
- Tyre liquid plaster (DBP-Pat. Pending) seals inner liner and repair sticks permanently and is the irrefutable evidence for the disassembly of radial tyres as described



6470 4700



6470 4710

Article No.	Article Description	QTY
6470 4700	REP SET FOR TUBELESS CAR TYRES	1
6470 4710	REP SET FOR TUBELESS NFZ TYRES	1

Contents Art.-No. 6470 4700:

- 1x Art.-No. 4290 2: reamer
- 1x inserting tool for cars
- 1x Art.-No. 4751 4 1: knife blade
- 1x Art.-No. 6470 4720: vulcanising solution 25 ml
- 1x Art.-No. 6470 4701: (50 pcs.) tyre repair sticks for cars up to HR tyres with tyre liquid plaster

Contents Art.-No. 6470 4710:

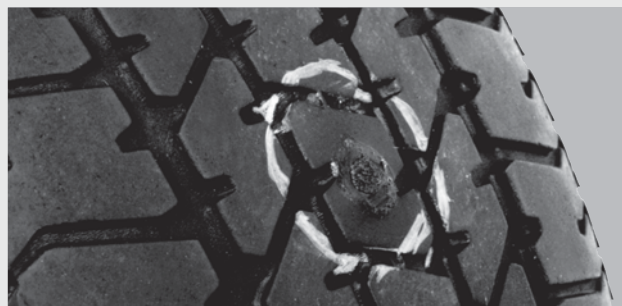
- as Art.-No. 6470 4700: repair kit for tubeless car tyres, but with 1x inserting commercial vehicles
- 1x Art.-No. 6470 4711: commercial vehicle tyre repair sticks (25 pcs.) with tyre liquid plaster

Your Advantage / Benefit

- rapid repair: repair time for radial tyres about 5 min. for cross-ply tyres about 1 min.
- any perforation on the tyre tread surface, whether straight or across the tread, can be repaired if the extent of the damage on the inside is no larger than:
6 mm up to and including H-rated tyres (210km/h)
3 mm up to and including W-rated tyres (270 km/h)
- repaired tyres are retreadable since drilling and buffing are dispensed with, thus no damage to the supporting and retaining construction (belt and carcass), there is no risk of toe-in
- Note: at a 30 ° perforation angle, a 6 mm drill would destroy 12 mm of belt and carcass

Application

- for tubeless tyres
- can also be used for run-flat tyres



(Continued on next page)

The Perfect Tyre-Repair - Operation Instruction

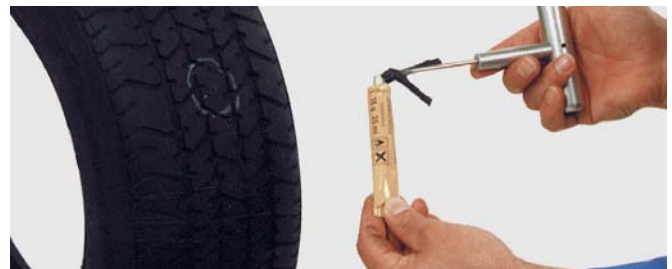
Repairable zone:

Tread, the following table applies:

Vehicle type	Vehicle	Vehicle	Truck/ C-Tyres	Truck / AS / EM	Motorcycle
Tyre type:	up to 210 km/h even Run-Flat-Tyres	up to 270 km/h even Run-Flat-Tyres	and tyres with LI up to 122	Tyres with LI of 123 and more	up to 270 km/h
Tread damage:	max. 6 mm	max. 3 – 4 mm	max. 6 mm	max. 10 mm 2 – 3 grafts for each repair	max. 3 – 4 mm
Art.-No. 6470 4701	●		●		
Art.-No. 6470 4702		●			●
Art.-No. 6470 4711			●	●	



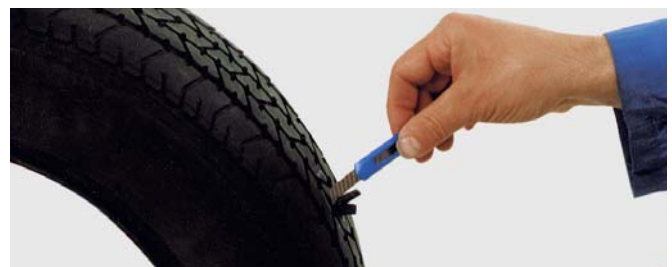
- 1** Dismantle the tyre. Remove the object that caused the hole. Check the damaged spread. May not exceed up to back tyres (210 km/h) 6 mm and 3 mm in front tyres (270 km/h)
- 2** Clean the inner surface to a diameter of approx. 30 mm around the damaged spot with 1K-ASK-Cleaner.
- 3** Clean the hole duct with a square pricking awl.
- 4** Apply 1-2 drops of rubber solution the the eyelet of the induction awl and insert it into the hole duct. Repeat this process 3 or 4 times.



- 5** Pull the repair stick into the induction awl up through the centre. In case of repair sticks for front tyres, remove the red film beforehand. Attention! Prevent any impurity of the repair stick
- 6** Apply a bit of rubber solution to the top of the induction awl.



- 7** Press the induction awl with the repair stick into the hole until 10 mm of the repair stick is visible. Then turn it 90° under pressure.



- 8** Slowly pull out the insert awl and cut off the overlapping edges of the repair stick approx. 3 mm above the profile.



- 9** Apply approx. 3 cm of the repair fluid plaster around the repair stick from the inside.



- 10** Tyre can immediately be mounted.

Tyre Repair Set Spare Parts

Article No.	Article Description	QTY
6470 4701	PK(50)TYRES REP.CAR HR	1
6470 4702	PK(50)TYRES REP.CAR VR	1
6470 4711	PK(25)TYRES REP.NFZ	1
6470 4720	RUBBER SOLUTION 25ML	1
6470 4730	TYRES FLUID PLASTER 50ML	1
6470 4735	REPL.INDUCT.AWL CAR WITHO.HAN.	1
6470 4736	REPL.IN.AWL COM.VE.WITHO.HANDLE	1
6470 4737	REPL.HANDLE FOR INDUCTION AWL	1
4290 3	DRILLED REAMER	1

Contents Art.-No. 6470 4701:

- 50x Tyre Repair Sticks vehicle up to HR-tyres
- 1x Art.-No. 6470 4730: Tyre Fluid Plaster 50 ml

Contents Art.-No. 6470 4702:

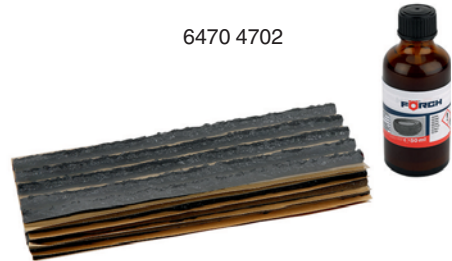
- 50x Tyre Repair Sticks vehicle up to WR-tyres
- 1x Art.-No. 6470 4730: Tyre Fluid Plaster 50 ml



6470 4701



6470 4702



6470 4711



6470 4720



6470 4730



6470 4735



6470 4737



6470 4736



4290 2

Related products

- 1K WS Bond Agent
Art.-No. 6110 1000



- Cleaning cloth roll
Art.-No. 5413 15 1



- Fine knit gloves
Art.-No. 5405 91 9



Tyre Repair Set „Tyre Repair Plugs“

- Combined inner and outer repair of tread punctures in radial and cross-ply tyres
- Tyre inside and hole canal repair in one step
- No penetration of moisture, dirt or stones that can lead to premature damage to the casing and belt
- Quick and reliable tyre repair using cold and hot vulcanisation
- With practical metal pilot
- Suitable for run-flat tyres
- Certified by TÜV repair methods
- Storage time: 5 years
- MADE IN GERMANY



Article No.	Article Description	QTY
3560 3 30	PCK(50)TYRE REPAIR PLUGS 3.0MM	1
3560 3 45	PCK(40)TYRE REPAIR PLUGS 4.5MM	1
3560 3 45 8	PCK(8)TYRE REPAIR PLUGS 4.5MM	1
3560 3 60	PCK(40)TYRE REPAIR PLUGS 6.0MM	1
3560 3 60 8	PCK(8)TYRE REPAIR PLUGS 6.0MM	1
3560 3 80	PCK(20)TYRE REPAIR PLUGS 8.0MM	1
3560 3 100	PCK(20)TYRE REPAIR PLUGS10.0MM	1

Repair area in % Tread width	Speed Index	Max. damage size				
		A3 Ø3 mm	A4.5 Ø 4,5 mm	A6 Ø6 mm	B8 Ø8 mm	B10 Ø10 mm
 	J	●	●	●		
	K-T	●	●			
	H-ZR	●				
 	V	●				
 	V	●	●	●		
	ZR-W	●				
 max. LI = 177 		●	●	●	●	
		●	●	●	●	
 		●	●	●	●	●

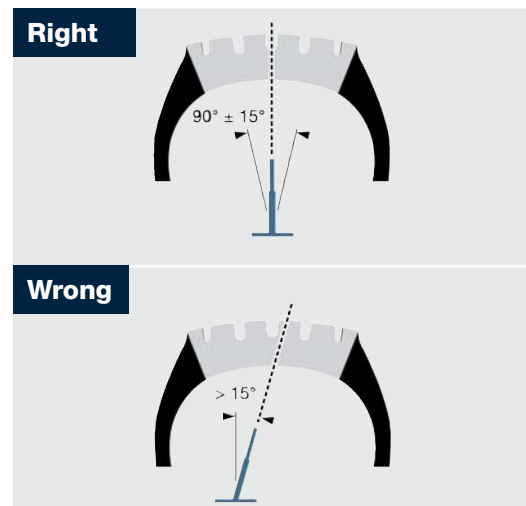
Run Flat Notes:

- Check/observe tyre's max. emergency running distance
- Min. residual pressure of the tyre may not be less than 1 bar > if these values deviate = **repair not possible**
- Calculate the repair using damage chart (red area) > taking into account the specific information of the tyre manufacturer
- Observe general notes

General Notes:

- Max. 3 repairs with repair plugs per tyre
- Always check that already existing repairs are free of defects
- Axial distance between repairs must be at least 15cm / 6"

Insertion angle max. 15°

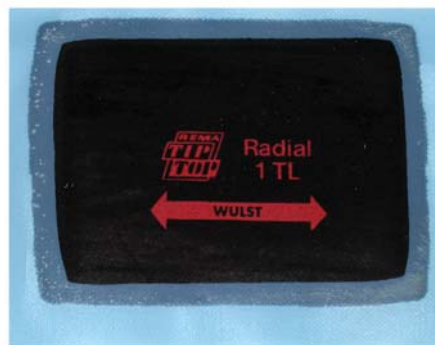


Distance min. 15 cm



Tyre Patch RADIAL

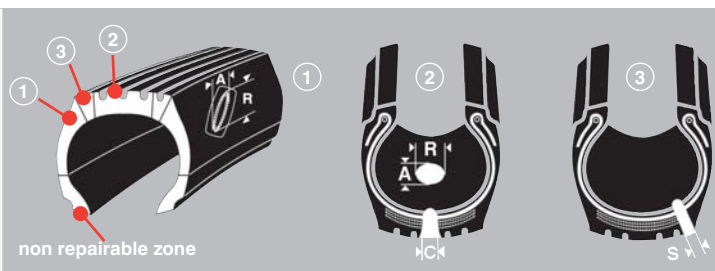
- Repair patch for long-lasting repair of radial tyres of all sizes and uses, radial, cross-ply, tubular and tubeless tyres
- The compound layer that is integrated in the patch is suitable for both hot and cold vulcanisation
- Storage time: 5 years
- MADE IN GERMANY



Article No.	Article Description	QTY
3560 55 75	TYRE PATCH RADIAL 110 55X75	20
3560 80 125	TYRE PATCH RADIAL 120 80X125	10
3560 85 130	TYRE PATCH RADIAL 3 85X130	10
3560 100 195	TYRE PATCH RADIAL 140 100X195	10
3560 155 195	TYRE PATCH RADIAL 180 150X195	5

Application/ damage chart for tyre patch Radial

Vehicle	Tyre width	Radial Patch No.	Max. damage size in mm		
			① Side wall A × R	② Tread A / C × R	③ Shoulder S Ø
	max. 160 km/h Index - Q -	RAD 110	6 × 6 mm	6 × 6 mm	6 mm
	max. 210 km/h Index - H -	RAD 110	6 × 6 mm	6 × 6 mm	–
	6.00 – 7.50 R 7 R – 8.5 R 205/ – 225/	RAD 110	3 × 3 mm	3 × 3 mm	–
		RAD 120	8 × 8 mm	10 × 10 mm	–
		RAD 140	20 × 45 mm	15 × 15 mm	10 mm
	all sizes	–	–	–	–
		8.25 – 10.00 R 9 R – 11 R 235/ – 285/	RAD 120	6 × 6 mm	10 × 10 mm
	11.00 – 14.00 R 12 R – 15 R 295/ – 365/	RAD 140	15 × 45 mm	15 × 15 mm	10 mm
		RAD 120	6 × 6 mm	6 × 6 mm	–
	all sizes	RAD 110	3 × 3 mm	3 × 3 mm	–
		RAD 120	–	10 × 10 mm	–
	8.3 – 12.4 8 – 11	RAD 120	15 × 35 mm	15 × 15 mm	6 mm
		RAD 180TL	40 × 60 mm	30 × 30 mm	15 mm
13.6 – 18.4 12 – 15	RAD 180TL	20 × 40 mm	20 × 20 mm	10 mm	








Tyre Patch DIAGONAL

- Repair patch for long-lasting repair of cross-ply tyres of all sizes particularly suitable for running surfaces, shoulder and side wall damage
- The compound layer that is integrated in the patch is suitable for both hot and cold vulcanisation
- Storage time: 4 years
- MADE IN GERMANY



Article No.	Article Description	QTY
3560 2 100	TYRE PATCH DIAGONAL PN03 100MM	10
3560 2 120	TYRE PATCH DIAGONAL PN04 120MM	10
3560 2 160	TYRE PATCH DIAGONAL PN05 160MM	10
3560 2 370	TYRE PATCH DIAGON.PM021 370MM	5

Application / damage chart for tyre patch Diagonal

									
		Matching tyre patch (Reamalon-No.) for tyres position PR							
	M* max.	PR 4 – 6	PR 8 – 10	PR 12 – 14	PR 16 – 18	PR 20 – 30	PR 4	PR 6 – 10	
Tread damage	3 mm	–	–	PN03	PN05	PN05	–	–	
	6 mm	–	PN03	PN04	PN05	–	–	PN03	
	10 mm	PN03	PN04	PN05	–	–	PN03	PN04	
	15 mm	PN03	PN05	–	–	–	PN03	PN04	
	20 mm	PN04	PN05	–	–	–	PN03	PN04	
	25 mm	PN04	–	–	–	–	PN04	PN04	
	30 mm	PN04	–	–	–	–	PN04	PN04	
	40 mm	PN04	–	–	–	–	PN04	PN05	
	50 mm	PN05	–	–	–	–	PN04	–	
	60 mm	–	–	–	–	–	PN05	PN03	
	75 mm	–	–	–	–	–	–	–	
	100 mm	–	–	–	–	–	–	PN021	–
	125 mm	–	–	–	–	–	–	–	–
	150 mm	–	–	–	–	–	–	–	–
	175 mm	–	–	–	–	–	–	–	–
Side wall damage	3 mm	–	–	PN03	–	–	–	PN03	
	6 mm	PN03	PN03	PN04	–	–	–	PN03	
	10 mm	PN03	PN04	–	–	–	PN03	PN04	
	15 mm	PN04	–	–	–	–	PN04	PN04	
	20 mm	PN04	–	–	–	–	PN04	PN04	
	25 mm	PN04	–	–	–	–	PN04	–	
	30 mm	PN04	–	–	–	–	PN04	–	
	40 mm	PN04	–	–	–	–	–	–	
	50 mm	–	–	–	–	–	–	–	
	60 mm	–	–	–	–	–	–	–	
	75 mm	–	–	–	–	–	–	–	
	100 mm	–	–	–	–	–	–	PN021	–
	125 mm	–	–	–	–	–	–	–	–
150 mm	–	–	–	–	–	–	–	–	

Tube Patches

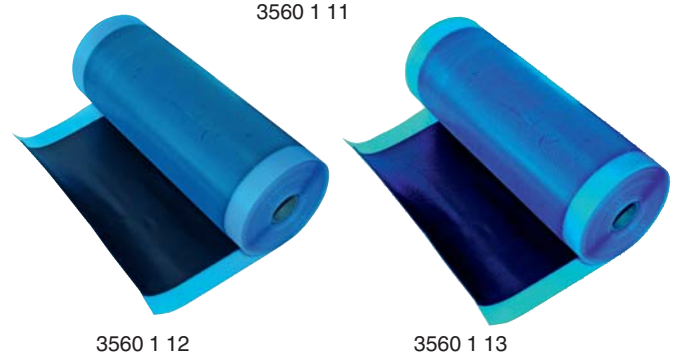
- Tube patches with double serration for optimum sealing
- For repairing small damage to inner tubes
- Self-vulcanised using chemical additive
- Storage time: 5 years
- MADE IN GERMANY



Article No.	Article Description	QTY
3560 4 30	TUBE PATCHES NO.0 ROUND 30MM	100
3560 4 35	TUBE PATCHES NO.1 ROUND 35MM	30
3560 4 45	TUBE PATCHES NO.2 ROUND 45MM	30
3560 4 54	TUBE PATCHES NO.3 ROUND 54MM	30
3560 4 54 37	TUBE PATCHES NO.7 54X37MM	30
3560 4 75	TUBE PATCHES NO.4 ROUND 75MM	30
3560 4 150 75	TUBE PATCHES NO.7B 150X75MM	10

MTR Rubber

- Uncured rubber compound for filling cuts in all areas on the tyre
- Good flowing and vulcanizing properties
- Vulcanization temperature min. 100 °C
- Heat up temperature max. 80 °C
- MTR Rubber provides excellent adhesion to the tyre and can withstand high dynamic loads
- Only process with MTR solution



Article No.	Article Description	QTY
3560 1 11	MTR RUBBER I 0.8MM	1
3560 1 12	MTR RUBBER II 1.2MM	1
3560 1 13	RO(3MTR)RUBBER 30X3.0MM	1

Technical Data				
Length mm	Width mm	Height mm	Weight kg	Contents
2,500	150	0.8	0.5	1 roll
7,200	250	1.2	2.5	1 roll
2,600	30	3.0	1.0	3 rolls

Self-vulcanizing bonding rubber

- Self-vulcanizing bonding rubber for laminating/applying REMA TIP TOP RADIAL and PN repair patches
- SV bonding rubber is processed exclusively with REMA TIP TOP SPECIAL CEMENT BLUE
- Curing time before first use for self-vulcanization 48 hours at min. 18 °C

Article No.	Article Description	QTY
3560 1 14	SV-BONDING RUBBER BLUE	1



Universal patch PU

- Universal application for cross-ply and radial tyres up to 12 mm puncture size in tread (side wall repair on cross-ply tyres only)
- Repaired tyres can be fitted immediately after application of patch
- Storage period: 5 years
- MADE IN GERMANY

Article No.	Article Description	QTY
3560 6 27 27	PCK(100)UNIV.PATCH UP3 27X27	1
3560 6 43 43	PCK(50)UNIV.PATCH UP6 43X43	1
3560 6 55 55	PCK(50)UNIV.PATCH UP8 55X55	1



Liquid Buffer

- For pre-treating tyre repair units, hose patches, tyre patches for tyre repair
- Effective at cleaning and roughening rubber surfaces in one
- Removes impurities and silicone from tyres inner-liner
- No CKW and aromatic solvents
- MADE IN GERMANY

Article No.	Article Description	QTY
3560 1 2	CAN(250ML)LIQUID BUFFER	1
3560 1 3	LIQUID BUFFER SPRAY 500ML	1 d
3560 1 4	CAN(1L)LIQUID BUFFER	1



Special Blue Cement

- Acceleration solution work with tyre repair plugs, tube patches, radial and cross-ply plasters
- Is suitable for self-vulcanisation (from 18 °C) up to hot vulcanisation (up to 150 °C)
- No CKW / aromatic solvents
- MADE IN GERMANY

Art.-No. 3560 1 6:

- Fast drying

Article No.	Article Description	QTY
3560 1 6	TB(25G)SPECIAL BLUE CEMENT	1
3560 1 7	CAN(225G)SPECIAL BLUE CEMENT	1



Inner-Liner Sealer

- Sealing of porous inner liners and repair site edges
- For painting over large roughened repair sites on the inner side of the tyre after cold and hot vulcanisation
- No CKW / aromatic solvents
- MADE IN GERMANY

Article No.	Article Description	QTY
3560 1 9	CAN(175G)INNER-LINER SEALER	1



Vulcanisation Fluid

- For repairing tubes with tube patches, valve patches, fabric-reinforced valve patches and on valves with a rubber base (hot vulcanisation)
- No CKW / aromatic solvents
- MADE IN GERMANY

Art.-No. 3560 1 1:

- Delivery incl. brush with tin screw top

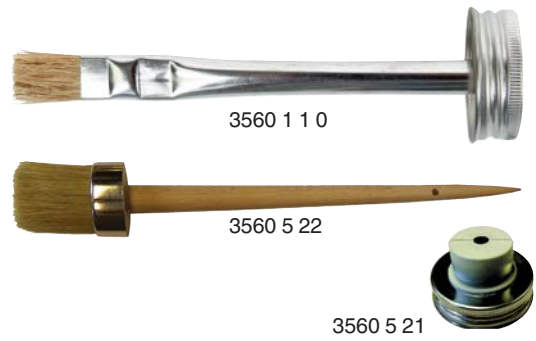
Article No.	Article Description	QTY
3560 1 1	CAN(175G)VULC.FLUID INCL BRUSH	1
3560 1 5	TB(50G)VULCANISATION FLUID	1



Brush with Tin Screw Top

- To use with blue cement, vulcanisation fluid and inner-liner sealer
- With sealing lips in the lid

Article No.	Article Description	QTY
3560 1 1 0	BRUSH WITH TIN SREW TOP	1
3560 5 21	BRUSH COVER FOR TIN SCREW TOP	1
3560 5 22	SPECIAL BRUSH FOR ADHESIVES	1



MTR Solution

- Accelerator solution for coating the roughened tyre inner surface or the skive surface and the bonding layer of REMA TIP TOP repair patches prior to laminating with MTR rubber
- MTR solution is tailored to MTR rubber in the accelerator and adhesion system and can therefore be used above 100 °C vulcanisation temperature
- Without CHC and solvents containing aromatics

Article No.	Article Description	QTY
3560 1 15	TIN(350G)MTR-SOLUTION	1



Bead Sealer

- Sealing compound, which can be painted, for sealing leaks caused by age / wear on beads
- Long-term seal
- Is spread on the bead and bead seat before inflating
- The solid bodies contained in the compound are inserted into the bumps when inflating, whereby these are then closed
- Not to be used as tyre filling as flammable
- Not designed for use on cars
- MADE IN GERMANY

Article No.	Article Description	QTY
3560 1 8	BEAD SEALER 1L	1



Talcum Powder

- Separating agent between tyre and tyre tube
- Store in a dry place
- Asbestos-free

Article No.	Article Description	QTY
3560 500	TALCUM POWER 0.5KG DISPENSER	1



Grinding Ball with „Mussel Stone“ Shaft

- For roughening soft tyres of rubber e.g. inner-liner
- Spherical
- With firmly integrated 6 mm shaft
- Diameter: 38 mm
- Speed: max 4,500 rpm



Article No.	Article Description	QTY
3560 5 1 38	GRINDING BALL W. SHAFT Ø38MM	1

Heavy Metal Burr for Tyre Repair

- For cylindrical drilling of small punctures
- With firm shaft
- Cross teeth for high chip removal capacity with regards tyre repair
- Speed: max. 2,500 rpm

Article No.	Article Description	QTY
3560 5 3	HM-BUR FOR TYRE REPAIR 3MM	e 5
3560 5 45	HM-BUR FOR TYRE REPAIR 4.5MM	1
3560 5 6	HM-BUR FOR TYRE REPAIR 6MM	e 5
3560 5 8	HM-BUR FOR TYRE REPAIR 8MM	1
3560 5 10	HM-BUR FOR TYRE REPAIR 10MM	1



Brushes and Grinding Tool

- For usage of repairing tyres to roughen the inner-liner
- For production of rough surfaces

Art.-No. 5861 150, 5861 1 60, 5861 1 60 1, 5861 1 55 2 and 5962 60 60:

- Speed: max. 2,800 rpm

Art.-No. 3560 511, 3560 5 12, 3560 5 13, 3560 5 14, 3560 5 18 and 3560 5 19:

- Speed: max. 4,500 rpm

Art.-No. 3560 5 17 and 3560 5 18:

- Speed: max. 25,000 rpm

Article No.	Article Description	QTY
5861 1 50	ROUND BRUSH ST B10MM D50MM	1 z
5861 1 55 2	ROUND BRUSH ST/BR B10MM D55MM	1 z
5861 1 60	ROUND BRUSH ST B10MM D60MM	1 z
5861 1 60 1	ROUND BRUSH ST B20MM D60MM	1 z
5962 60 60	ABR.FLAP FAN D60MM B30MM P60	1 z
3560 5 11	ROUGH CONE ROUNDED K18 19X38MM	1
3560 5 12	ROUGH RING K18 50X10MM	1
3560 5 13	CONTOUR DISC K35 Ø 44MM	1
3560 5 14	CONTOUR DISC K36 Ø 76MM	1
3560 5 15	ARBOR 3/8" 8MM SHAFT	1
3560 5 16	ARBOR M14 8MM SHAFT	1
3560 5 17	CUTT.DISC Ø32X6MM, 6MM SHAFT	1
3560 5 18	GRIND.CONE Ø45X15MM, 6MM SHAFT	1
3560 5 19	FUNNEL CUTTING BLADE 125MM	1



Stitcher

- Bubble-free application of the repair patches, tyre repair plugs and rubber
- Application width: 3.5 mm

Article No.	Article Description	QTY
3407 7	STITCHER 3.5MM	1



Brass brush

- For cleaning the roughened surface in the tyre

Article No.	Article Description	QTY
3560 5 20	BRASS BRUSH	1



Run Flat Tyre Template for the Mushroom Plug Rep.

- To determine whether the damage channel is within the marked „tyre width“ and whether the angle of incision is not greater than $90^\circ \pm 15^\circ$.



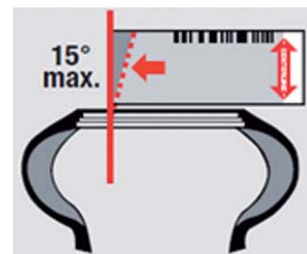
Measuring the tyre width:

1. The template lies in such a way on the tyres that the „CENTER-LINE“ is positioned in the middle of the tyre width.
2. Read the scale (TYRE SIZE)bear the damage channel (example 225R) and decide whether it is possible to repair



Testing the angle of incision:

1. Carefully remove the cause of the damage from the damage channel and check with a pricker or pricking awl.
2. A repair is possible at $90^\circ \pm 15^\circ$ and can be determined by using a template.



Article No.	Article Description	QTY
3560 99 5	PCK(5)RUNFLAT TYRE TEMPLATE	1

Tyres Tubes Spanners and Spreaders

- To prepare repair and inspection work
- High stability and sturdiness
- Large expansion area
- Can be used to tighten car and motorbike tyres
- Suitable for very stiff beads

Art.-No. 3560 8 Tyres Tubes Spanner:

- The tube is held securely and flat on the work surface thanks to the roller clamp and makes work easier
- Suitable for vice mounting

Art.-No. 3560 23 REP BOY:

- Tyre can be rotated or pivoted to any position (pat.)
- Comfortable working height
- Integrated shelf for material/tool
- Weight: 26 kg
- Halogen lamp and base plate are not included
- Art.-No. Base plate 3560 23 1, weight: 14 kg

Art.-No. 3560 24:

- Operating pressure: 6 – 8 bar
- Spread range: 100 – 350 mm
- Weight: approx. 4.4 kg

Art.-No. 3560 25:

- For securing the spread tyre beads
- Spread range: 230 – 360 mm
- Weight: 1.2 kg

Art.-No. 3560 26:

- Tyre spreader for preparing repair and inspection work on lorry and car tyres
- Space-saving design
- Operating pressure control (spreader) by hand lever
- Tyre is easily rolled on over removable head
- Operating pressure: 10 bar
- Weight: approx. 45 kg
- Total height: 700 mm
- Working height: 510 mm



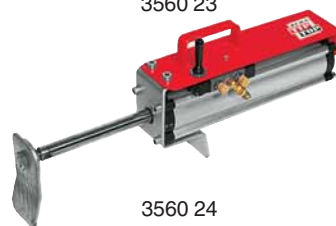
3560 8



3560 23



3560 23 1



3560 24



3560 25



3560 26

Article No.	Article Description	QTY
3560 8	TYRES TUBE SPANNER + SPREADER	1
3560 23	REP BOY F.CAR TYRES	1
3560 23 1	BASE PLATE FOR REP BOY	1
3560 24	TYRE SPREADER TRUCK, PNEUM.	1
3560 25	SPREAD TYRE BEADS TRUCK	1
3560 26	TRUCK-TYRE SPREADER REPMAT	1

Vulcanising Devices and Accessories

Art.-No. 3560 9:

- Hot vulcaniser (TP 2 Economy)
- For cost-effective repair of all types of tyres
- 220 V power supply
- Temperature: 160 °C

Art.-No. 3560 9 1:

- Approx. 60 kg weight
- Dimension (W x D x H): 760 x 700 x 1,230 mm
- No more tedious work when clamping tyres in the tread, shoulder or sidewall area
- Adjustable height and pivot
- Four casters (two with stop function)

Art.-No. 3560 22:

- The special film is placed between the repair area and the heating plate
- It prevents sticking to the Thermopress hot plate
- Maximum temperature resistance 160°C
- Film thickness approx. 0.2 mm

Article No.	Article Description	QTY
3560 9	THERMO-PRESS ECONOMY	1
3560 9 1	THERMO-PRESS SHUTTLE	1
3560 20	PRESS.BAL.CUSHION TRAKT260X100	1
3560 21	PRESS.BAL.CUSH.LARGE 210X150	1
3560 22	PCK(1000)HEAT FILM F.THERMO-PR	1



3560 9



Art.-No. 3560 9
(Not included in delivery scope)

3560 9 1



3560 20 3560 21



3560 22

Tyre Repair Kit 6mm

- Combined internal / external repair of tread punctures in radial and cross-ply tyres
- Self-vulcanisation in connection with special cement
- Suitable for run-flat tyres
- TÜV certified repair methods
- 5 year shelf life of the tyre repair plugs
- MADE IN GERMANY



Contents

Article No.	Article Description	Quantity
3560 1 1 0	BRUSH WITH TIN SREW TOP	2
3560 1 3	LIQUID BUFFER SPRAY 500ML	1
3560 1 7	CAN(225G)SPECIAL BLUE CEMENT	1
3560 1 9	CAN(175G)INNER-LINER SEALER	1
3560 3 60	PCK(40)TYRE REPAIR PLUGS 6.0MM	1

Article No.	Article Description	QTY
3560P 1	TYRE REPAIR KIT 6.0MM	1

Tyre Repair Kit 4.5 mm

- Combined internal / external repair of tread punctures in radial and cross-ply tyres
- Self-vulcanisation in connection with special cement
- Suitable for run-flat tyres
- TÜV certified repair methods
- 5 year shelf life of the tyre repair plugs
- MADE IN GERMANY



Contents

Article No.	Article Description	Quantity
3560 1 1 0	BRUSH WITH TIN SREW TOP	2
3560 1 3	LIQUID BUFFER SPRAY 500ML	1
3560 1 7	CAN(225G)SPECIAL BLUE CEMENT	1
3560 1 9	CAN(175G)INNER-LINER SEALER	1
3560 3 45	PCK(40)TYRE REPAIR PLUGS 4.5MM	1

Article No.	Article Description	QTY
3560P 3	TYRE REPAIR KIT 4.5MM	1

Tyre Repair Kit 4.5 mm and 6 mm

- Combined internal / external repair of tread punctures in radial and cross-ply tyres
- Self-vulcanisation in connection with special cement
- Suitable for run-flat tyres
- TÜV certified repair methods
- 5 year shelf life of the tyre repair kit
- MADE IN GERMANY



Contents

Article No.	Article Description	Quantity
3560 1 1 0	BRUSH WITH TIN SREW TOP	2
3560 1 3	LIQUID BUFFER SPRAY 500ML	1
3560 1 7	CAN(225G)SPECIAL BLUE CEMENT	1
3560 1 9	CAN(175G)INNER-LINER SEALER	1
3560 3 45	PCK(40)TYRE REPAIR PLUGS 4.5MM	1
3560 3 60	PCK(40)TYRE REPAIR PLUGS 6.0MM	1

Article No.	Article Description	QTY
3560P 2	TYRE REPAIR KIT 4.5+6.0MM	1

Tyre Mould Repair Case 4.5 mm/6 mm VAROBOXX

- Range in VAROBOXX 4
- Including consumables, tools and protective equipment
- Combined internal / external repair of tread punctures in radial and cross-ply tyres
- Self-vulcanisation in connection with special cement
- Suitable for run-flat tyres
- TÜV certified repair methods
- 5 years shelf life of the mushroom plugs
- Made In Germany



Contents

Article No.	Article Description	Quantity
3407 7	STITCHER 3.5MM	1
3560 1 1 0	BRUSH WITH TIN SREW TOP	2
3560 1 3	LIQUID BUFFER SPRAY 500ML	1
3560 1 6	TB(25G)SPECIAL BLUE CEMENT	1
3560 1 7	CAN(225G)SPECIAL BLUE CEMENT	1
3560 1 9	CAN(175G)INNER-LINER SEALER	1
3560 3 45 8	PCK(8)TYRE REPAIR PLUGS 4.5MM	1
3560 3 60 8	PCK(8)TYRE REPAIR PLUGS 6.0MM	1
3560 5 1 38	GRINDING BALL W. SHAFT Ø38MM	1
3560 5 6	HM-BUR FOR TYRE REPAIR 6MM	1
3560 5 45	HM-BUR FOR TYRE REPAIR 4.5MM	1
3560 99	RUNFLAT-REIFEN-SCHABLONE	1
4000 180	COMBINATION PLIERS 180MM	1
4761 1	UNIVERSAL KNIFE WITH CUTTER 1	1
5325 570	FÖRCH-IMPACT HAMMER DRILL 630W	1
5400 2221	SAFETY GOGGLES FUN-CLEAR	1
5405 91 9	FINE KNITTED GLOVE PU GREY 9	1
5410 75 1	MICROFIBRE CLOTH BLUE 40X40CM	1
5861 1 60 1	ROUND BRUSH ST B20MM D60MM	1
9003 4	VAROBOXX SIZE:4 EMPTY	1
9004 0 1	COVER INLAY VAROBOXX	1
9004 1 0	INSET BOX GREY SIDE.VAROBOXX 1	2
9004 1 5 10	INS. BOX YELL.5X10CM VAROBOXX 1	2
9004 1 10 10	INS. BOX BLUE10X10CM VAROBOXX 1	2
9004 1 10 15	INSETB.L-GR.10X15CM VAROBOXX 1	1
9004 1 10 30	INSETB.D-GR.10X30CM VAROBOXX 1	1
9004 3 2	INS. BOX INS.W.BOX VAROBOXX3+4	1
9004 3 3	PART.PLATE FRAME VAROBOXX 3+4	1
9004 4 2	SLO.PART.PLATE SHORT VAROBOXX4	2



Article No.	Article Description	QTY
9003 3560	VAROBOXX TYR.M.REP.CASE4.5+6MM	1



Plastic Spread Rivets

Art. No. 3040 3018

• Colour: White

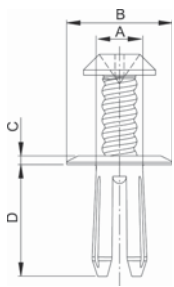


Article No.	Article Description	QTY
3040 3001	EXP.RIVET PLAST. 7.9X12.0 B16	gf 100
3040 3002	EXP.RIVET PLAST. 5.8X11.4 B10	gf 100
3040 3003	EXP.RIVET PLAST. 5.5X11.0 B16	gf 100
3040 3004	EXP.RIV. PLAST. S. 4.9X15.0 B10	gf 100
3040 3005	EXP.RIVET PLAST. 13.0X17.4 B20	gf 100
3040 3006	EXP.RIV. PLAST. L. 5.0X15.0 B10	gf 100
3040 3007	EXP.RIV. PLAST. 7.8X11.0 B12.3	gf 100
3040 3008	EXP.RIVET PLAST. 8.0X15.0 B19	gf 100
3040 3009	EXP.RIVET PLAST. 8.0X15.0 B13	gf 100
3040 3014	EXP.RIVET PLAST. 5.0X11.5 B10	gf 100
3040 3018	EXP.RIVET PLAST. 5.8X11.4 B20	gf 100
3040 3019	EXP.RIVET PLAST. 7.0X16.0 B18	gf 100
3040 3020	EXP.RIVET PLAST. 3.5X8.0 B8	gf 100
3040 3031	EXP.RIVET PLAST. 5.5X8.0 B10	gf 100
3040 3073	EXP.RIVET PLAST. 5.8X10.0 B13	gf 100
3040 3077	EXP.RIVET PLAST. 3.9X8.5 B8	gf 100
3040 3079	EXP.RIVET PLAST. 4.5X13.0 B22	gf 100

(Ø A x D x Ø B mm)

Technical Data				
Ø A mm	Ø B mm	C mm	D mm	Thickness mm
7.90	16.00	2.00	12.00	4.00 – 7.00
5.80	10.00	2.00	11.40	2.00 – 8.00
5.50	16.00	2.00	11.00	2.50 – 7.00
4.90	10.00	2.00	15.00	6.00 – 11.00
13.00	20.00	2.80	17.40	2.50 – 2.50
5.00	10.00	2.00	15.00	5.50 – 12.00
7.80	12.30	1.00	11.00	2.40 – 6.80
8.00	19.00	3.00	15.00	5.00 – 11.00
8.00	13.00	3.00	15.00	5.50 – 10.00
5.00	10.00	2.00	11.50	3.00 – 8.00
5.80	20.00	2.00	11.40	2.00 – 8.00
7.00	18.00	2.70	16.00	6.90 – 7.10
3.50	8.00	2.20	8.00	2.00 – 5.00
5.00	10.00	2.00	8.00	1.50 – 5.00
5.80	13.00	2.00	10.00	2.00 – 8.00
4.00	8.00	1.00	8.50	2.00 – 6.00
8.00	22.00	3.00	13.00	4.00 – 8.00

Plastic Scrivet with Cap

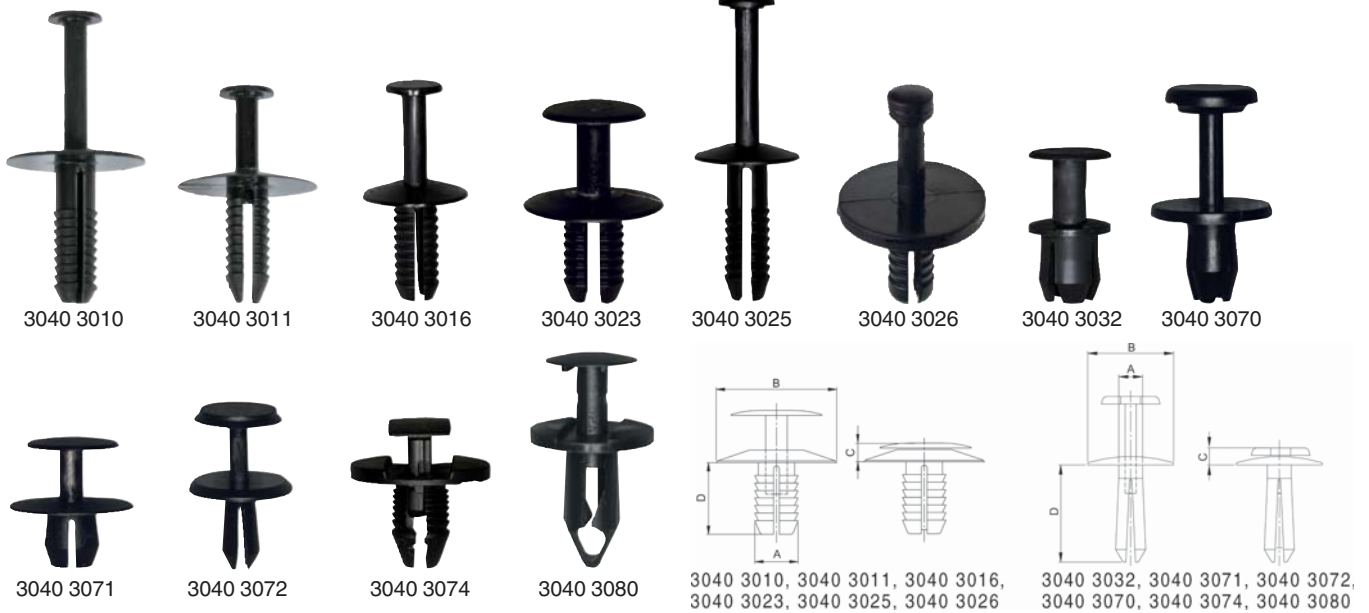


Article No.	Article Description	QTY
3040 3027	SCREW RIVET 6.3X11.3	gf 100
3040 3033	SCREW RIVET 6.2X15.2	gf 100
3040 3034	SCREW RIVET 4.5X11.2	gf 100
3040 3035	SCREW RIVET 4.9X4.9X11	gf 100
3040 3036	SCREW RIVET 5.9X5.6X15	gf 100
3040 3075	SCREW RIVET 6.2X9.5	gf 100
3040 3076	SCREW RIVET 5.05X5.25X11.7	gf 100
3040 3078	SCREW RIVET 5.8X14.2	gf 100

(Ø A x D mm)

Technical Data					
Ø A mm	Ø B mm	C mm	D mm	Hole mm	Thickness mm
6.30	16.30	1.60	11.30	6.30 x 6.90	- 7.00
6.20	17.00	1.60	15.20	6.20 x 6.30	- 10.00
4.50	12.00	1.50	11.20	4.50 x 5.30	- 7.00
4.90 x 4.90	12.00	1.60	11.00	4.90 x 4.90	- 1.80
5.90 x 5.60	7.00 x 10.20	2.40	15.00	5.90 x 5.60	- 7.00
6.20	9.80	1.50	9.50	6.20	2.00 – 4.00
5.80	12.10	1.50	14.20	6.20	5.80 – 10.00
5.05 - 5.25	12.00	1.50	11.70	5.05 - 5.25	3.80

Plastic Spread Rivets with Cap

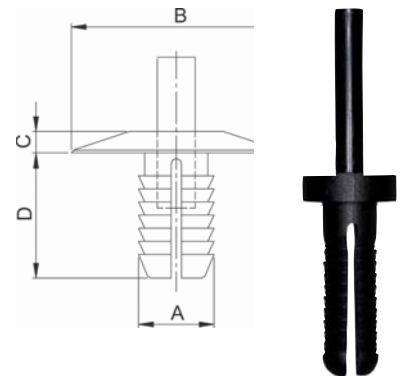


Article No.	Article Description	QTY
3040 3010	EXP.RIV.W.CAP PLAST.6.5X20 B20	gf 100
3040 3011	EXP.RIV.W.CAP PLAST.6.5X17 B20	gf 100
3040 3016	EXP.RIV.W.CAP PLAST.6.5X15 B15	gf 100
3040 3023	EXP.RIV.W.CAP PLAST.8.7X14 B20	gf 100
3040 3025	EXP.RIV.W.CAP PLST.6.5X20 B15	gf 100
3040 3026	EXP.RIV.W.CAP PLST.6.5X15 B20	gf 100
3040 3032	EXP.RIV.W.CAP PLST.8.3X10 B12	gf 100
3040 3070	EXP.RIV.W.CAP PLST.8.0X14 B20	gf 100
3040 3071	EXP.RIV.W.CAP PLST.8.0X9.4 B20	gf 100
3040 3072	EXP.RIV.W.CAP PLST.4.5X11 B15	gf 100
3040 3074	EXP.RIV.W.CAP PLST.8.0X13 B20	gf 100
3040 3080	EXP.RIV.W.CAP PLST.8.0X20 B21	gf 100

(Ø A × D × Ø B mm)

Technical Data				
Ø A mm	Ø B mm	C mm	D mm	Thickness mm
6.50	20.00	4.00	20.00	7.00 – 15.00
6.50	20.00	3.50	17.00	2.00 – 10.00
6.50	15.00	3.50	15.00	2.00 – 10.00
8.70	20.00	3.30	14.00	3.00 – 10.00
6.50	15.00	4.00	20.00	7.00 – 15.00
6.50	20.00	5.00	15.00	2.80 – 11.00
8.30	12.00	2.50	10.00	3.50 – 7.00
8.00	20.00	6.00	14.00	3.50 – 10.00
8.00	20.00	2.50	9.40	2.00 – 4.50
4.50	15.00	3.00	11.00	3.00 – 8.00
8.00	20.00	3.00	13.00	3.00 – 8.00
8.00	20.00	2.30	21.00	5.00 – 15.00

Plastic Spread Rivets without Cap

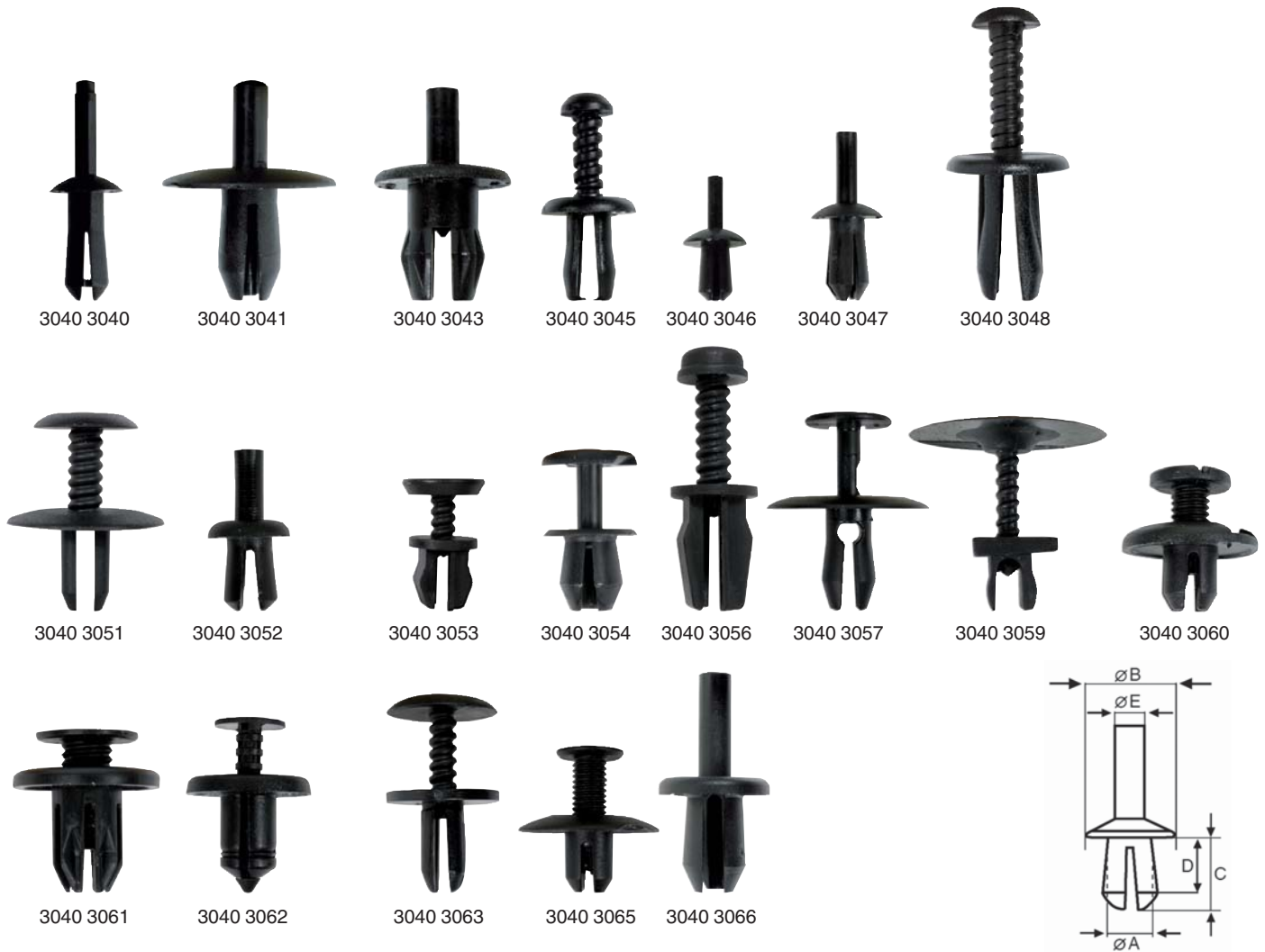


Article No.	Article Description	QTY
3040 3024	EX.RI.WIT.CAP PLAST.6.5X15 B20	gf 100
3040 3028	RIV.WITHO.CAP PLAST.7.5X24 B13	gf 100

(Ø A × D mm)

Technical Data				
Ø A mm	Ø B mm	C mm	D mm	Thickness mm
6.50	20.00	2.00	15.00	2.00 – 10.00
7.50	13.00	4.00	24.00	6.00 – 20.00

Expanding Rivets, Screw Rivets Plastic

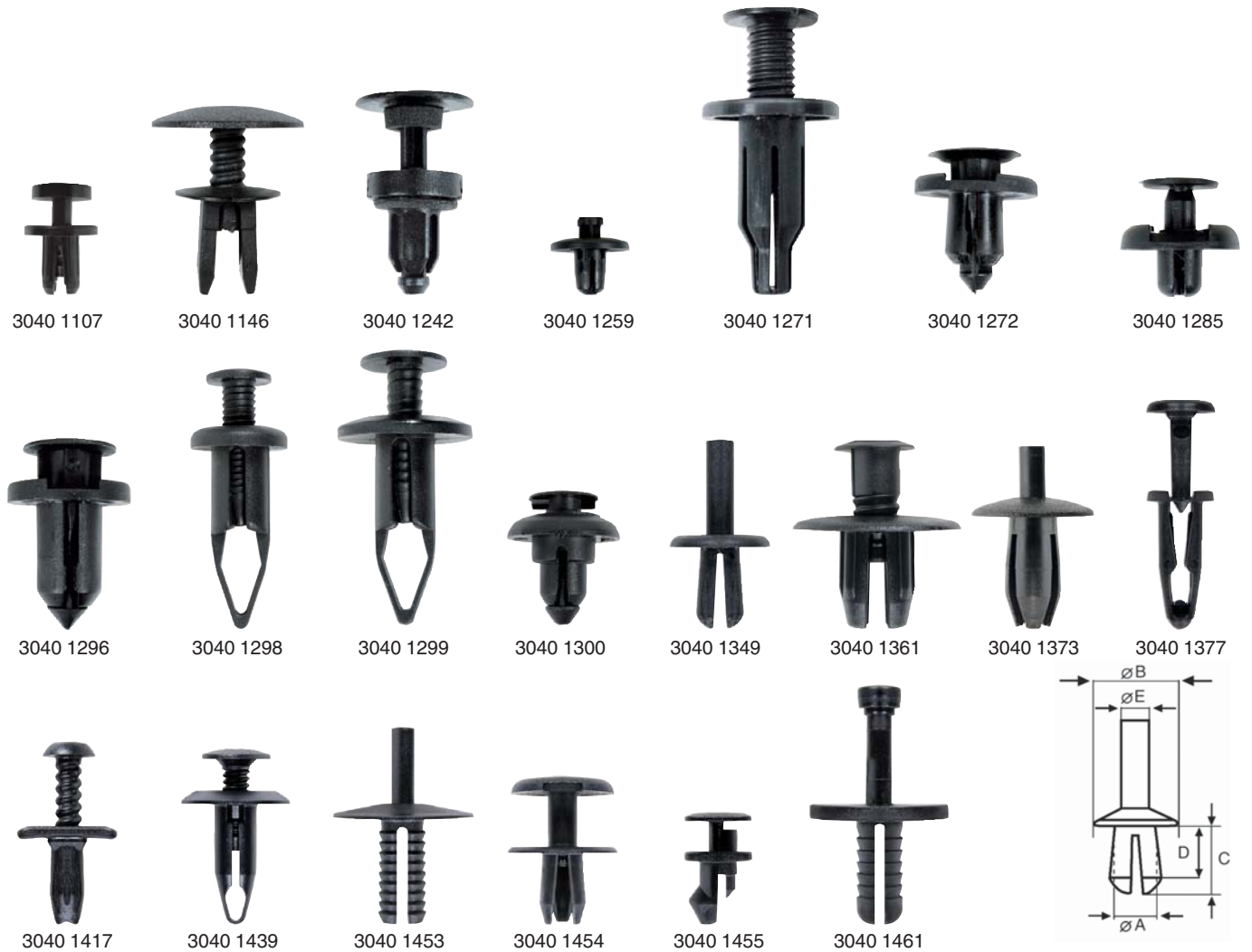


Article No.	Article Description	QTY
3040 3040	EXPAND.RIVET PLASTIC 5X10X15.8	fH 300
3040 3041	EXPAND.RIVET PLASTIC 8X24X16	fH 300
3040 3043	EXPAND.RIVET PLASTIC 8.5X16X13	fH 300
3040 3045	SCREW RIVET PLASTIC 6.2X12.2X11	fH 300
3040 3046	EXPAND.RIVET PLASTIC 3.5X8X7	fH 300
3040 3047	EXPAND.RIVET PLAS. 5.5X9.4X10.8	fH 300
3040 3048	SCREW RIVET PLASTIC 8X18X18	fH 300
3040 3051	SCREW RIVET PLASTIC 8X10X24X13	fH 300
3040 3052	EXPAND.RIVET PLASTIC 6.2X11X10	fH 300
3040 3053	SCREW RIVET PLASTIC 7X7X11X10	fH 300
3040 3054	SCREW RIVET PLASTIC 8X14X11	gf 100
3040 3056	SCREW RIVET PLASTIC 8X10X12X15	gf 100
3040 3057	EXP. RIVET PLASTIC 6.4X14 B22	fH 300
3040 3059	SCREW RIVET PLAS. 7X8X10X12X7.7	gf 100
3040 3060	SCREW RIVET PLASTIC 8X20X9	z 50
3040 3061	SCREW RIVET PLASTIC 10X20X14	z 50
3040 3062	SCREW RIVET PLASTIC 8.2X18X14	fH 300
3040 3063	SCREW RIVET PLAS. 6X8X16X11.6	fH 300
3040 3065	SCREW RIVET PLASTIC 7X20X8	z 50
3040 3066	EXPAND. RIVET PLASTIC 8X16X14	gf 100

Technical Data				
Ø A mm	Ø B mm	C mm	D mm	Ø E mm
5.0	10	15.8	12.0	2.9
8.0	24	16.0	11.0	5.0
8.5	16	13.0	8.0	4.0
6.2	12.2	11.0	7.4	4.0
3.5	8.0	7.0	6.0	2.1
5.5	9.4	10.8	8.2	3.2
8.0	18.0	18.0	14.0	4.8
8 × 10	24.0	13.0	10.0	5.0
6.2	11.0	10.0	8.0	4.0
7 × 7	11.0	10.0	5.0	4.0
8.0	14.0	11.0	7.0	4.0
8 × 10	12.0	15.0	4.5	5.0
6.5	22.0	14.0	10.0	3.5
7 × 8	10 × 12	7.7	5.0	3.6
8.0	20.0	9.0	6.0	6.0
10.0	20.0	14.0	11.0	7.0
8.2	18.0	14.0	10.0	4.0
6 × 8	16.0	11.6	9.0	4.0
7.0	20.0	8.0	6.0	10
8.0	16.0	14.0	10.0	4.7

(Ø A × Ø B × C mm)

Expanding Rivets, Screw Rivets, Clips Plastic

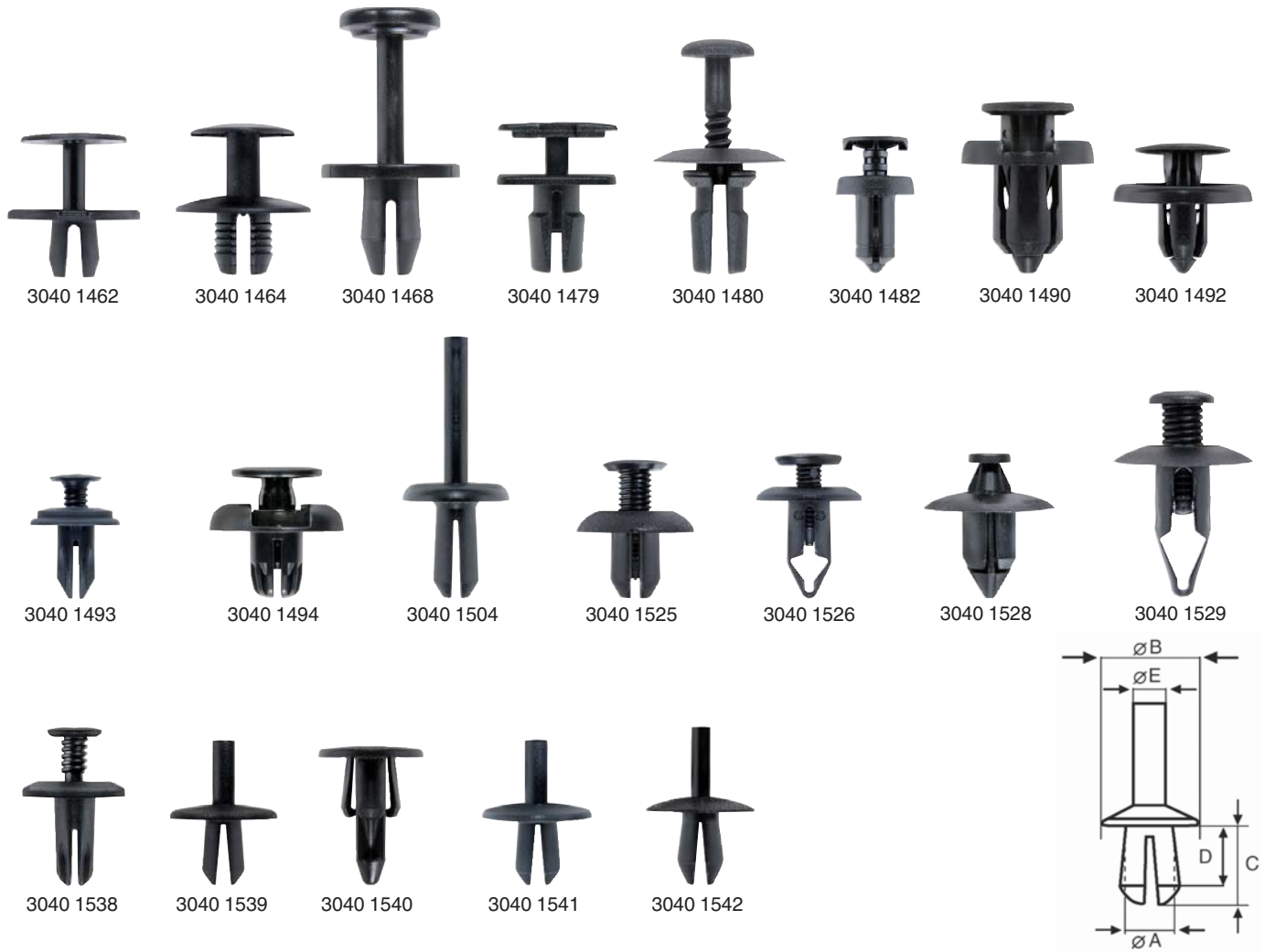


Article No.	Article Description	QTY
3040 1107	EXP. RIVET PLAS.6.2X12X9 1107	fH 300
3040 1146	SCREW RIVET PLA.8X8X16X14 1146	fH 300
3040 1242	EXPAND. RIVET 8X8X14X13.5 1242	z 50
3040 1259	EXPANDING RIVET 8.5X20X1 1259	fH 300
3040 1271	SCREW RIVET 10X20X25 1271	z 50
3040 1272	EXPANDING RIVET 8X18X14 1272	z 50
3040 1285	EXPANDING RIVET 6.8X17X6 1285	z 50
3040 1296	EXPANDING RIVET 10X18X18 1296	z 50
3040 1298	SCREW RIVET 9X15X26 1298	z 50
3040 1299	SCREW RIVET 9X20X27 1299	z 50
3040 1300	EXPANDING RIVET 6.5X16X13 1300	z 50
3040 1349	EXPAND. RIVET 6.5X15X11 1349	gf 100
3040 1361	EXPANDING RIVET 11X25X14 1361	gf 100
3040 1373	EXPANDING RIVET 7X18X17 1373	gf 100
3040 1377	EXPANDING RIVET 6X10X18 1377	gf 100
3040 1417	EXPAND. RIVET Ø6X6X8X15X12 1417	gf 100
3040 1439	SCREW RIVET 6.2X16X17 1439	gf 100
3040 1453	EXPANDING RIVET 6X20X14 1454	gf 100
3040 1454	EXPANDING RIVET 6X16X10 1454	gf 100
3040 1455	EXPAN. RIVET 5.5X10X12X10 1455	gf 100
3040 1461	EXPANDING RIVET 6X20X14 1461	gf 100

Technical Data				
Ø A mm	Ø B mm	C mm	D mm	Ø E mm
6.2	12.0	9.0	7.0	3.3
8 × 8	16.0	14.0	10.0	5.5
8 × 8	14.0	13.5	8.5	4 × 4
8.5	20.0	11.0	4.4	4 × 4
10.0	20.0	25.0	15.0	7.0
8.0	18.0	14.0	7.6	6 × 7
6.8	17.0	6.0	5.3	4.4
10.0	18.0	18.0	13.0	8 × 10
9.0	15.0	26.0	16.0	5.3
9.0	20.0	27.0	17.0	5.5
6.5	16.0	13.0	-	10.0
6.5	15.0	11.0	9.0	4.0
11.0	25.0	14.0	8.0	7.0
7.0	18.0	17.0	-	4.0
6.0	10.0	18.0	9.0	4.7
6 × 6	8 × 15	12.0	8.6	4.0
6.2	16.0	17.0	10.0	4.0
6.0	20.0	14.0	12.0	3.5
6.0	16.0	10.0	7.0	3.9
5.5	10 × 12	10.0	6.4	4 × 5
6.0	20.0	14.0	10	3.5

(Ø A × Ø B × C mm)

Expanding Rivets, Screw Rivets, Clips Plastic

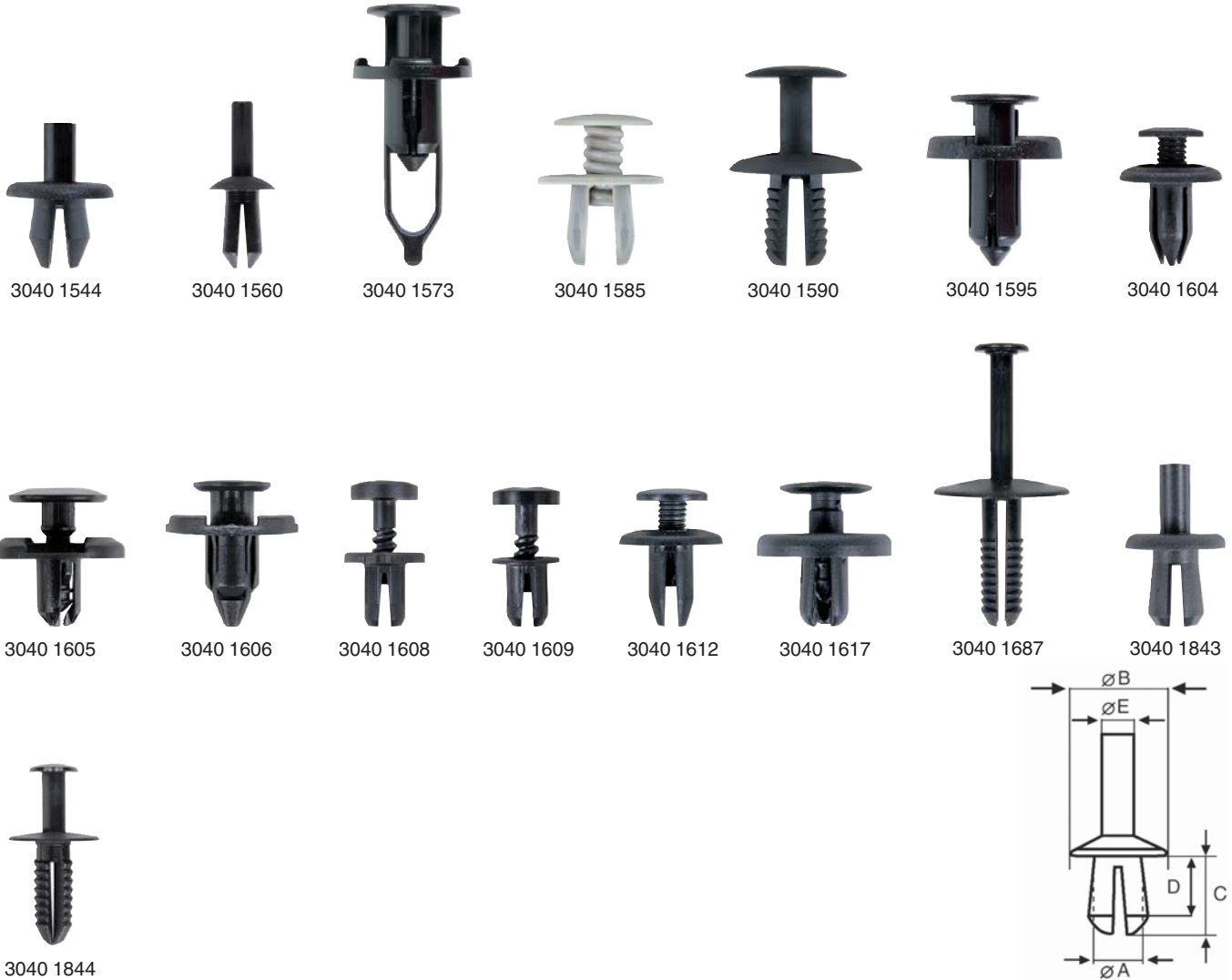


Article No.	Article Description	QTY
3040 1462	EXPAND. RIVET 6.5X19X8.6 1462	gf 100
3040 1464	EXPANDING RIVET 8X20X9 1464	gf 100
3040 1468	EXPANDING RIVET 8X20X13.5 1468	gf 100
3040 1479	EXP. RIVET 7X11X18X13 1479	gf 100
3040 1480	SCREW RIVET 7X19.5X16 1480	gf 100
3040 1482	EXPANDING RIVET 6X12X13 1482	gf 100
3040 1490	EXPANDING RIVET 10X20X15 1490	z 50
3040 1492	EXPANDING RIVET 7X20X11 1492	z 50
3040 1493	SCREW RIVET 6.2X14X11.5 1493	z 50
3040 1494	EXPANDING RIVET 8X20X10 1494	z 50
3040 1504	EXPANDING RIVET 6X16X14 1504	gf 100
3040 1525	SCREW RIVET 7X17X10 1525	z 50
3040 1526	SCREW RIVET 6X15X13.5 1526	fH 300
3040 1528	EXPANDING RIVET 8X20X12.5 1528	z 50
3040 1529	SCREW RIVET 8X20X20 1529	z 50
3040 1538	SCREW RIVET 6X15X12.5 1538	gf 100
3040 1539	EXPANDING RIVET 5.5X16X10 1539	gf 100
3040 1540	EXPANDING RIVET 6.5X15X13 1540	z 50
3040 1541	EXPANDING RIVET 5.5X16X10 1541	gf 100
3040 1542	EXPANDING RIVET 5.5X16X11 1542	gf 100

Technical Data				
Ø A mm	Ø B mm	Ø C mm	Ø D mm	Ø E mm
6,5	19,0	8,6	5,6	3,3
8,0	20,0	9,0	6,0	5,0
8,0	20,0	13,5	8,0	3,9
7,0	11 x 18	13,0	5,0	3 x 3
7,0	19,5	16,0	7,0	4
6,0	12,0	13,0	8,0	3,9
10,0	20,0	15,0	11,0	8 x 9
7,0	20,0	11,0	6,0	6
6,2	14,0	11,5	10,0	4
8,0	20,0	10,0	6,4	5,3
6,0	16,0	14,0	12,0	3,4
7,0	17,0	10,0	10,0	5,0
6,0	15,0	13,5	9,0	4,0
8,0	20,0	12,5	7,0	5 x 5
8,0	20,0	20,0	11,0	5,8
6,0	15,0	12,5	7,5	3,8
5,5	16,0	10,0	8,0	3,5
6,5	15,0	13,0	-	5,0
5,5	16,0	10,0	8,0	3,5
5,5	16,0	11,0	7,5	3,0

(Ø A x Ø B x C mm)

Expanding Rivets, Screw Rivets, Clips Plastic

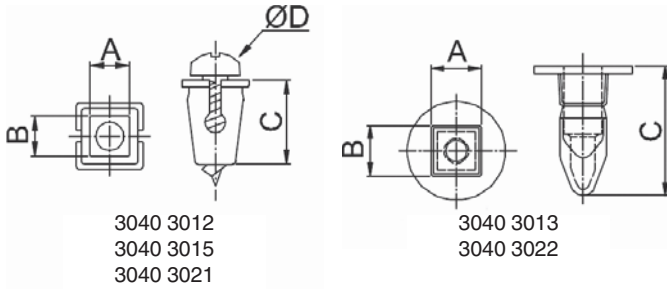


Article No.	Article Description	QTY
3040 1544	EXPANDING RIVET 8X16X11 1544	gf 100
3040 1560	EXPANDING RIVET 5X10X11 1560	gf 100
3040 1573	EXPANDING RIVET 9X18X27 1573	z 50
3040 1585	EXPANDING RIVET 8.5X18X12 1585	gf 100
3040 1590	EXPANDING RIVET 8X20X14 1590	gf 100
3040 1595	EXPANDING RIVET 8X20X16 1595	gf 100
3040 1604	SCREW RIVET 6.5X15X13 1604	z 50
3040 1605	EXPANDING RIVET 7X20X10 1605	z 50
3040 1606	EXPANDING RIVET 8X20X12 1606	z 50
3040 1608	SCREW RIVET 6X12X9 1608	gf 100
3040 1609	SCREW RIVET 6.2X10X9 1609	gf 100
3040 1612	SCREW RIVET 8X18X12 1612	z 50
3040 1617	EXPANDING RIVET 7X20X11 1617	z 50
3040 1687	EXPANDING RIVET 6.5X20X20 1687	gf 100
3040 1843	EXPANDING RIVET 6X13X9.2 1843	gf 100
3040 1844	EXPAN. RIVET. 6X16X18 1844	gf 100

Technical Data					
Ø A mm	Ø B mm	Ø C mm	Ø D mm	Ø E mm	
8,0	16,0	11,0	6,0	5,0	
5,0	10,0	11,0	9,0	3,2	
9,0	18,0	27,0	19,0	7 × 8	
8,5	18,0	12,0	8,0	5,8	
8,0	20,0	14,0	13,0	5,0	
8,0	20,0	16,0	11,0	7,0	
6,5	15,0	13,0	8,0	4,3	
7,0	20,0	10,0	9,0	5,0	
8,0	20,0	12,0	8,0	6 × 7	
6,0	12,0	9,0	8,0	3,5	
6,2	10,0	9,0	8,0	3,6	
8,0	18,0	12,0	10,0	6,0	
7,0	20,0	11,0	9,0	5,0	
6,5	20,0	20,0	18,0	3,4	
6,0	13,0	9,2	7,8	3,9	
6,0	16,0	18,0	15,0	3,9	

(Ø A × Ø B × C mm)

Plastic Spread Nuts



3040 3012 3040 3013 3040 3015 3040 3021 3040 3022

Article No.	Article Description	QTY
3040 3012	PLST.SPREAD NUT 7.4X6.6 3012	gf 100
3040 3013	PLST.SPREAD NUT 8.0X8.0 3013	gf 100
3040 3015	PLST.SPREAD NUT 7.0X7.0 3015	gf 100
3040 3021	PLST.SPREAD NUT 7.0X7.0 3021	gf 100
3040 3022	PLST.SPREAD NUT 7.5X7.5 3022	gf 100

(A x B mm)

Technical Data				
Ø D mm	A mm	B mm	C mm	Thickness mm
4.80	7.40	6.60	14.00	0.80 – 1.00
4.80	8.00	8.00	21.00	0.70 – 1.50
4.20	7.00	7.00	12.00	0.80 – 1.00
4.20	7.00	7.00	12.00	0.80 – 1.00
4.80	7.50	7.50	21.50	0.70 – 1.50

Expanding Nuts Plastic



Article No.	Article Description	QTY
3040 3037	SPREAD NUT PLASTIC 7X9.5 3037	fH 300
3040 3038	SPREAD NUT PLASTIC 7X9.5 3038	fH 300
3040 3039	SPREAD NUT PLASTIC 7X9 3039	fH 300
3040 3042	SPREAD NUT PLASTIC 6X9.5 3042	fH 300
3040 3050	SPREAD NUT PLAS. 8.5X11.5 3050	fH 300
3040 1106	EXPAN.NUTS PLASTIC 9.5X22 1106	gf 100
3040 1113	EXPAN.NUTS PLASTIC 8X11 1113	fH 300
3040 1122	EXPAN.NUTS PLASTIC 7X10 1122	fH 300
3040 1137	EXPAN.NUTS PLASTIC 7X9 1137	fH 300
3040 1166	EXP.NUTS PLA. 10X13X13X14 1166	fH 300
3040 1189	EXPA.NUTS PLA. 7X15X10X18 1189	fH 300
3040 1244	EXPAN.NUTS PLASTIC 8X16 1244	gf 100
3040 1274	EXPAN.NUTS PLASTIC 7X9 1274	fH 300
3040 1291	EXPAN.NUTS PLASTIC 9X17 1291	gf 100
3040 1295	EXPAN.NUTS PLASTIC 10X16 1295	fH 300
3040 1345	EXPAN.NUTS PLASTIC 8X11 1345	gf 100
3040 1346	EXPAN.NUTS PLASTIC 10X14 1346	gf 100
3040 1347	EXPAN.NUTS PLASTIC 7X13 1347	fH 300
3040 1366	EXPAN.NUTS PLASTIC 11X15 1366	gf 100
3040 1367	EXP.NUTS PLAS. 7X14X13X20 1367	gf 100
3040 1378	EXP.NUTS PLAS. 7X13X10X16 1378	fH 300
3040 1393	EXPAN.NUTS PLASTIC 10X13 1393	gf 100

(A x B mm)

Technical Data			
Ø A mm	Ø B mm	C mm	Ø D mm
7,0	9,5	9,0	3,5
7,0	9,5	9,0	3,0
7,0	9,0	10,0	3,5
6,0	9,5	7,5	2,5
8,5	11,5	11,0	4,0
9,5	22,0	21,0	4,8
8,0	11,0	13,0	4,5
7,0	10,0	10,0	3,0
7,0	9,0	12,0	4,2
10 x 13	13 x 14	19,0	5,5
7 x 15	10 x 18	10,0	4,2
8,0	16,0	19,0	4,8
7,0	9,0	12,0	3,5
9,0	17,0	11,0	5,5
10,0	16,0	10,0	5,5
8,0	11,0	17,0	3,5
10,0	14,0	19,0	4,8
7,0	13,0	9,0	4,2
11,0	15,0	19,0	5,0
7 x 14	13 x 20	17,0	4,2
7 x 13	10 x 16	10,0	4,2
10,0	13,0	20,0	5,5

(Continued on next page)

Expanding Nuts Plastic



Article No.	Article Description	QTY
3040 1397	EXPAN.NUTS PLASTIC 7X12 1397	fh 300
3040 1398	EXPAN.NUTS PLASTIC 7X11 1398	gf 100
3040 1413	EXP.NUTS PLASTIC 6X6.5X10 1413	gf 100
3040 1430	EXP.NUTS PLASTIC 6X6.5X10 1413	gf 100
3040 1431	EXPAN.NUTS PLASTIC 8X15.5 1431	gf 100
3040 1435	EXPAN.NUTS PLASTIC 10X13 1435	gf 100
3040 1438	EXPA.NUTS PLASTIC 8X10X20 1438	gf 100
3040 1441	EXPAN.NUTS PLASTIC 6.7X9 1441	gf 100
3040 1457	EXPAN.NUTS PLASTIC 6X15 1457	gf 100
3040 1495	EXPAN.NUTS PLASTIC 7X10 1495	gf 100
3040 1499	EXPAN.NUTS PLASTIC 9.5X20 1499	z 50
3040 1501	EXP.NU.PL. 8.5X10.5X13X15 1501	gf 100
3040 1506	EXPAN.NUTS PLASTIC 8X14 1506	gf 100
3040 1511	EXPAN.NUTS PLASTIC 8X11 1511	gf 100
3040 1513	EXPAN.NUTS PLASTIC 7X14 1513	gf 100
3040 1527	EXPAN.NUTS PLASTIC 8X11 1527	gf 100
3040 1530	EXPAN.NUTS PLASTIC 7X13 1530	gf 100
3040 1568	EXPAN.NUTS PLASTIC 7X14 1568	gf 100
3040 1575	EXPAN.NUTS PLASTIC 9.5X13 1575	gf 100
3040 1579	EXPA.NUTS PLA. 10.8X11X16 1579	gf 100
3040 1593	EXP.NUTS PLASTIC 8.2X11.5 1593	gf 100

Technical Data			
Ø A mm	Ø B mm	C mm	Ø D mm
7,0	12,0	17,0	4,0
7,0	11,0	14,0	3,5
6 × 6,5	10,0	7,0	2,5
7 × 12	9 × 15	10,0	4,2
8,0	15,5	17,0	4,0
10,0	13,0	20,0	4,8
8 × 10	20,0	12,5	5,5
6,7	9,0	9,5	3,9
6 × 15	11 × 21	17,0	3,5
7,0	10,0	8,5	4,2
9,5	20,0	14,0	4,8
8,5 × 10,5	13,4 × 15,3	10,2	5,5
8,0	14,0	10,0	5,5
8,0	11,0	16,0	3,9
7 × 14	13 × 20	17,2	3,9
8,0	11,0	9,0	5,5
7,0	13,0	16,0	3,9
7 × 14	9 × 15	10,0	4,2
9,5	13,0	21,0	6,35
10,8 × 11,2	16,0	12,0	6,35
8,2	11,5	12,0	4,2

(A × B mm)

Fir Tree Clip

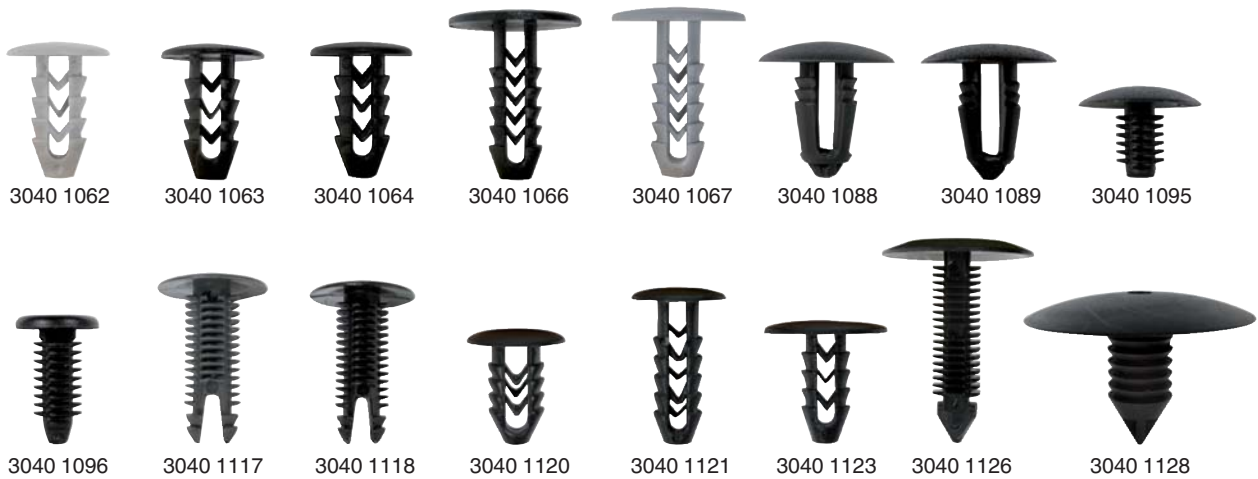


Article No.	Article Description	QTY
3040 1011	FIR TREE CLIP 28X2X16 1011	gf 100
3040 1029	FIR TREE CLIP 14X2X15 1029	gf 100
3040 1034	FIR TREE CLIP 20X2.5X20 1034	gf 100
3040 1045	FIR TREE CL. 20X2.75X12.5 1045	gf 100
3040 1049	FIR TREE CLIP 14X1.6X12 1049	gf 100
3040 1320	FIR TREE CLIP 14X2X15 1320	gf 100
3040 1321	FIR TREE CLIP 12.5X2X17.5 1321	gf 100

(Ø A x B x C mm)

Technical Data				
Ø A mm	B mm	C mm	Hole mm	Thickness mm
28.00	2.00	16.00	7.50 - 7.80	3.00 - 12.00
14.00	2.00	15.00	6.00 - 6.50	3.00 - 11.00
20.00	2.50	20.00	8.00 - 8.50	3.00 - 14.00
20.00	2.75	12.50	8.00 - 8.50	3.00 - 7.00
14.00	1.60	12.00	7.00 - 7.20	3.00 - 7.00
14.00	2.00	15.00	7.20 - 7.60	3.00 - 10.00
12.50	2.00	17.50	6.50 - 7.00	3.00 - 12.00

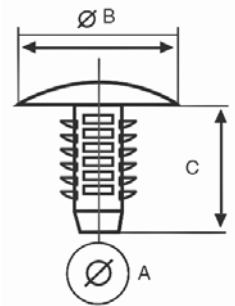
Fir Tree Clip Universal



Article No.	Article Description	QTY
3040 1062	FIR TREE CL.GR7.5X15X17.5 1062	fH 300
3040 1063	FIR TREE CL.BR7.5X15X17.5 1063	fH 300
3040 1064	FIR TREE CL.BL7.5X15X17.5 1064	fH 300
3040 1066	FIR TREE CL.BL7.5X20X23.5 1066	fH 300
3040 1067	FIR TREE CL.GR7.5X20X23.5 1067	fH 300
3040 1088	FIR TREE CLIP GR8X18X16.5 1088	fH 300
3040 1089	FIR TREE CLIP BL8X18X16.5 1089	fH 300
3040 1095	FIR TREE CLIP BL 7X19X11 1095	fH 300
3040 1096	FIR TREE CLIP 7X12.5X17.5 1096	fH 300 T
3040 1117	FIR TREE CLIP GR 8X18X25 1117	fH 300
3040 1118	FIR TREE CLIP BL 8X18X25 1118	fH 300
3040 1120	FIR TREE CLIP BL 8X16X17 1120	fH 300
3040 1121	FIR TREE CLIP 7.5X15X22.5 1121	fH 300
3040 1123	FIR TREE CLIP BL7.5X20X18 1123	fH 300
3040 1126	FIR TREE CLIP BL7.5X24X31 1126	fH 300
3040 1128	FIR TREE CLIP BL 10X35X23 1128	fH 300

(Ø A x Ø B x C mm)

Technical Data		
Ø A mm	Ø B mm	C mm
7.5	15.0	17.5
7.5	15.0	17.5
7.5	15.0	17.5
7.5	20.0	23.5
7.5	20.0	23.5
8.0	18.0	16.5
8.0	18.0	16.5
7.0	19.0	11.0
7.0	12.5	17.5
8.0	18.0	25.0
8.0	18.0	25.0
8.0	16.0	17.0
7.5	15.0	22.5
7.5	20.3	18.0
7.5	24.0	31.0
10.0	35.0	23.0

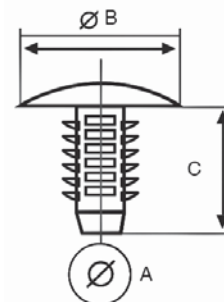


Fir Tree Clip Universal



Article No.	Article Description	QTY
3040 1129	FIR TREE CLIP BL8X25X12.5 1129	fH 300
3040 1130	FIR TREE CLIP BL 7X20X16 1130	fH 300
3040 1136	FIR TREE CLIP BL6.5X13X15 1136	gf 100
3040 1143	FIR TREE CLIP GR 8X18X26 1143	fH 300
3040 1155	FIR TREE CLIP BL 10X23X16 1155	fH 300
3040 1169	FIR TREE CLIP BL6.5X12X14 1169	fH 300
3040 1197	FIR TREE CLIP BL 8X16X19 1197	fH 300
3040 1198	FIR TREE CLIP BL 7X20X18 1198	fH 300
3040 1209	FIR TREE CLIP BL 11X16X18 1209	fH 300
3040 1211	FIR TREE CLIP BL6.5X20X16 1211	gf 100
3040 1227	FIR TREE CLIP BL 7X30X18 1227	fH 300
3040 1228	FIR TREE CLIP BL 11X32X24 1228	fH 300
3040 1260	FIR TREE CLIP BL6.5X30X16 1260	fH 300
3040 1276	FIR TREE CLIP BL7.5X19X21 1276	fH 300
3040 1301	FIR TREE CLIP BL6.5X20X12 1301	fH 300
3040 1339	FIR TREE CLIP BL 7X14X16 1339	fH 300
3040 1340	FIR TREE CLIP GR 7X14X16 1340	fH 300
3040 1352	FIR TREE CLIP WS 8X16X17 1352	fH 300
3040 1353	FIR TREE CLIP BL 9X20X18 1353	gf 100
3040 1364	FIR TREE CLIP WS 8X10X15 1364	gf 100
3040 1365	FIR TREE CLIP 6.5X20X13.5 1365	gf 100

Technical Data		
Ø A mm	Ø B mm	C mm
8.0	25.0	12.5
7.0	20.0	16.0
6.5	13.0	15.0
8.0	18.0	26.0
10.0	23.0	16.0
6.5	12.0	14.0
8.0	16.0	19.0
7.0	20.0	18.0
11.0	16.0	18.0
6.5	20.0	16.0
7.0	30.0	18.0
11.0	32.0	24.0
6.5	30.0	16.0
7.5	19.0	21.0
6.5	20.0	12.0
7.0	14.0	16.0
7.0	14.0	16.0
8.0	16.0	17.0
9.0	20.0	18.0
8.0	10.0	15.0
6.5	20.0	13.5



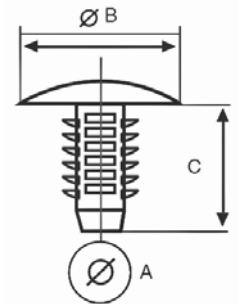
(Ø A × Ø B × C mm)

Fir Tree Clip Universal



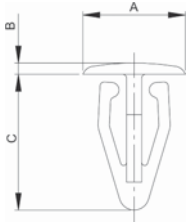
Article No.	Article Description	QTY
3040 1369	FIR TREE CLIP BL 7X15X13 1369	gf 100
3040 1376	FIR TREE CLIP BL 9X22X21 1376	gf 100
3040 1382	FIR TREE CLIP BL 11X22X25 1382	gf 100
3040 1383	FIR TREE CLIP BL 6.5X18X15 1383	gf 100
3040 1384	FIR TREE CLIP BL 7X22X25 1384	gf 100
3040 1391	FIR TREE CLIP BL 7.5X20X12 1391	gf 100
3040 1406	FIR TREE CLIP BL 6.5X19X15 1406	gf 100
3040 1426	FIR TREE CLIP WS 6X12X18 1426	gf 100
3040 1432	FIR TREE CLIP BL 7X20X13 1432	gf 100
3040 1440	FIR TREE CLIP BL 8.5X15X12 1440	gf 100
3040 1446	FIR TREE CLIP BL 6.7X20X14 1446	gf 100
3040 1447	FIR TREE CLIP BL 8X16X17 1447	gf 100
3040 1510	FIR TREE CLIP BL 6X15X17 1510	gf 100
3040 1552	FIR TREE CLIP BL 5.2X16X26 1552	gf 100
3040 1559	FIR TREE CLIP 6.5X24.5X11 1559	gf 100
3040 1583	FIR TREE CLIP BL 6.5X18X17 1583	gf 100
3040 1611	FIR TREE CLIP BL 8X24X17 1611	gf 100
3040 1694	FIR TREE CLIP BL 7X16X20 1694	gf 100
3040 1845	FIR TREE CLIP BL 7X26X24 1845	gf 100

Technical Data		
Ø A mm	Ø B mm	C mm
7.0	15.0	13.0
9.0	22.0	21.0
11.0	22.0	25.0
6.5	18.0	15.0
7.0	22.0	25.0
7.5	20.0	12.0
6.5	19.0	15.0
6.0	12.0	18.0
7.0	20.0	13.0
8.5	15.0	12.0
6.7	20.0	14.0
8.0	16.0	17.0
6.0	15.0	17.0
6.5	24.5	11.0
6.5	18.0	17.0
8.0	24.0	17.0
7.0	16.0	20.0
7.0	26.0	24.0



(Ø A x Ø B x C mm)

Cover Plugs



Article No.	Article Description	QTY
3040 1010	COVER PLUG FOR BONNET 22X18	gf 100
3040 1024	COVER PLUG BLACK 14.0X2X20	gf 100
3040 1322	COVER PLUG BLACK 11.8X2X18.5	gf 100
3040 1323	COVER PLUG 11.95X1.75X10	gf 100
3040 1328	COVER PLUG BLACK 18.0X1.75X17	gf 100
3040 1330	COVER PLUG BLACK 16.0X1.5X20.0	gf 100

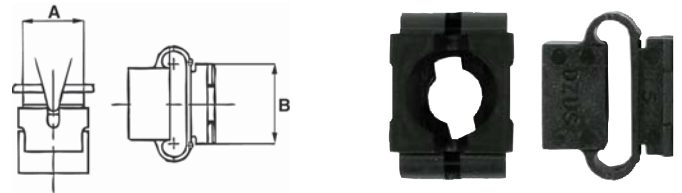
Technical Data				
Ø A mm	B mm	C mm	Hole mm	Thickness mm
22.00 × 18,00	-	10.00	-	-
14.00	2.00	20.00	7.80 – 8.00	2.00 – 4.50
11.80	2.00	18.50	6.70 – 6.90	3.00 – 10.00
11.95	1.75	10.00	6.60 – 6.80	2.50 – 8.00
18.00	1.75	17.00	7.00 – 7.20	3.00 – 12.00
16.00	1.50	20.00	7.80 – 8.00	3.00 – 14.50

Clamping Nut

- Counter piece: Art.-No. 3040 1002, 3040 1020

Technical Data	
A mm	B mm
11.10	14.10

Article No.	Article Description	QTY
3040 1001	CLAMPING NUT PLAST.11.1X14.1 (A x B mm)	gf 100

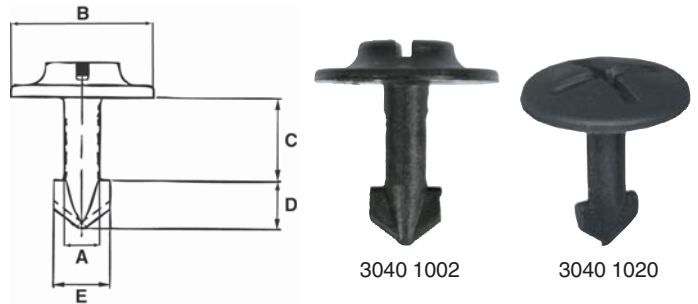


Plastic Turn Lock

- Counter piece: Art.-No. 3040 1001, 3040 1020

Technical Data					
Art.-No.	Ø A mm	Ø B mm	C mm	D mm	E mm
3040 1002	6.40	25.00	14.00	8.30	9.90
3040 1020	6.20	25.00	16.00	8.30	10.00

Article No.	Article Description	QTY
3040 1002	TURN LOCK PLAST. 6.4X14 B25	gf 100
3040 1020	TURN LOCK PLAST. 6.2X16 B25 (Ø A x C mm)	gf 100



Clamping Screws

Art.-No. 3040 1008 and 3040 1009:

- Counter piece: Art.-No. 3040 1013, 3040 1014

Art.-No. 3040 1019:

- Counter piece: Art.-No. 3040 1015

Technical Data					
Art.-No.	Ø A mm	Ø B mm	C mm	D mm	E mm
3040 1008	7.00	18.00	9.00	15.00	21.00
3040 1009	7.00	18.00	8.00	14.00	18.00
3040 1019	6.00	12.00	9.00	16.00	20.00

Article No.	Article Description	QTY
3040 1008	CLAMP.SCREW BLACK 7.0X21.0MM	gf 100
3040 1009	CLAMP.SCREW SILVER 7.0X18.0MM	gf 100
3040 1019	CLAMP.SCREW BLACK 6.0X20.00MM (Ø A x E mm)	gf 100

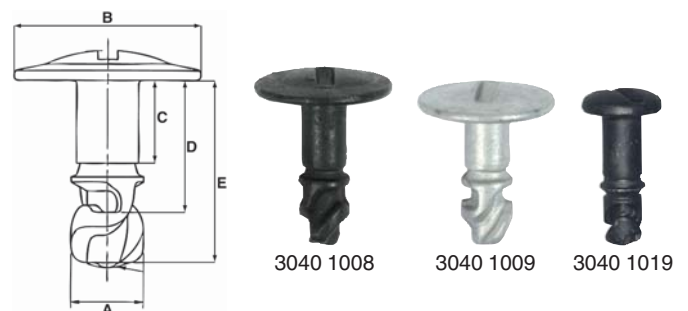


Plate Nuts Screw Cap

Art.-No. 3040 1013 and 3040 1014:

- Counter piece: Art.-No. 3040 1008, 3040 1009

Art.-No. 3040 1015:

- Counter piece: Art.-No. 3040 1019

Article No.	Article Description	QTY
3040 1013	PLATE NUT 1013	gf 100
3040 1014	PLATE NUT 1014	gf 100
3040 1015	PLATE NUT 1015	gf 100

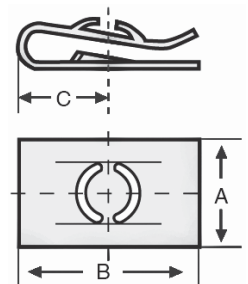


Sheet Nuts Universal



Article No.	Article Description	QTY
2290 30 1	SHEET NUTS UNI.3.0 15.00X12.20	H 300
2290 42 2	SHEET NUTS UNI.4.2 13.00X11.15	H 300
2290 42 4	SHEET NUTS UNI.4.2 16.50X11.16	H 300
2290 42 6	SHE.NUTS UNI.4.2 BL16.00X14.00	H 300
2290 48 4	SHE.NUTS UNI.4.8 BL15.30X12.15	H 300
2290 63 1	SHEET NUTS UNI.6.3 31.50X16.10	H 300
2290 63 2	SHEET NUTS UNI.6.3 23.15X17.19	H 300
2290 63 3	SHEET NUTS UNI.6.3 22.70X15.23	H 300
2290 63 4	SHEET NUTS UNI.6.3 30.03X14.31	H 300
2290 63 5	SHE.NUTS UNI.6.3 BL18.20X16.00	H 300
3040 1103	SHEET NUTS UNI.6.3X16X20X11	fH 300
3040 1792	SHEET NUTS UNIV. 2.9 9X16.5X10	fR 500
3040 1798	SHEET NUTS UNIVE. 2.9 8X10X4.8	fH 300
3040 1799	SHEET NUTS UNIV. 4.2 11.6X15X8	fH 300
3040 1801	SHEET NUTS UNI.3.9 11.2X16.5X8	fH 300
3040 1802	SHEET NUTS UNI. 4.8 16.2X19X11	fH 300
3040 1803	SHEET NUTS UNI.4.2 11X16.5X8.5	fH 300
3040 1804	SHEET NUTS UNI.4.2 11X15.5X7.5	fH 300

Technical Data		
Ø mm	A x B	C
3.5	12 x 15	9.0
4.2	11 x 13	7.0
4.2	11 x 16.2	9.0
4.2	11 x 16.5	8.0
4.8	12 x 15	8.0
6.3	16 x 31.2	22.5
6.3	17.2 x 23	14.0
6.3	15 x 23	14.0
6.3	14 x 30	18.5
6.3	18.2 x 16.5	9.0
6.3	16 x 20.2	11.0
2.9	9 x 16.5	10.0
2.9	8 x 10	4.8
4.2	11.6 x 15	8.0
3.9	11.2 x 16.5	8.0
4.8	16.2 x 19	11.0
4.2	11 x 16.5	8.5
4.2	11 x 15.5	7.5



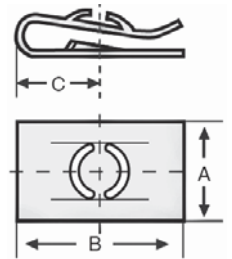
(Ø x A x B x C mm)

Sheet Nuts Universal



Article No.	Article Description	QTY
3040 1805	SHEET NUTS UNIV. 4.8X11X16X8.5	fH 300
3040 1808	SHEET NUTS UNIVER. 4.8X15X16X9	fH 300
3040 1820	SHEET NUTS UNI. 4.2X11X16.2X7.5	fH 300
3040 1821	SHEET NU.UNI. 4.2X12.5X16.5X9.5	fH 300
3040 1822	SHEET NUTS UNI. 4.8X11.2X16.5X9	fH 300
3040 1824	SHEET NUTS UNIV. 4.2X11X13X6.5	fH 300
3040 1827	SHEET NUTS UNI. 4.2X12X16.2X8.5	fH 300
3040 1828	SHEET NUT.UNI. 5.5X15.8X23.6X13	fH 300
3040 1829	SHEET NU.UN. 5.5X14.5X25.8X17.5	fH 300
3040 1830	SHEET NUT.UNI. 6.3X16.2X24.8X14	fH 300
3040 1831	SHEET NUTS UNI. 4.8X22X25.5X15	fH 300
3040 1832	SHEET NU.UNI. 4.8X18.5X21.5X12	fH 300
3040 1835	SHEET NU.UNI. 6.3X16.5X26.5X14	fH 300
3040 1836	SHEET NUTS UNI. 2.9X10.8X13X7	fH 300

Technical Data		
4.8	11 × 16	8.5
4.8	15 × 16	9.0
4.2	11 × 16.2	7.5
4.2	12.5 × 16.5	9.5
4.8	11.2 × 16.5	9.0
4.2	11 × 13	6.5
4.2	12 × 16.2	8.5
5.5	15.8 × 23.6	13.0
5.5	14.5 × 25.8	17.5
6.3	16.2 × 24.8	14.0
4.8	22 × 25.5	15.0
4.8	18.5 × 21.5	12.0
6.3	16.5 × 26.5	14.0
2.9	10.8 × 13	7.0



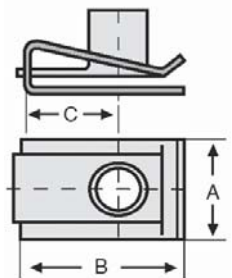
(Ø × A × B × C mm)

Sheet Nuts Universal Metric



Article No.	Article Description	QTY
2290 80	SHEET NUTS M 8 16.7X25	H 300
3040 1791	SHEET NUTS M6 15X22 1791	fH 300
3040 1794	SHEET NUTS M6 16,3X19 1794	fH 300
3040 1807	SHEET NUTS M6 16X24 1807	fH 300
3040 1809	SHEET NUTS M4 10X15 1809	fH 300
3040 1810	SHEET NUTS M5 10X15 1810	fH 300

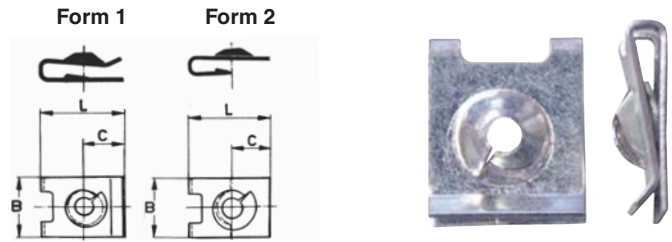
Technical Data		
Ø	A × B	C
M8	16.7 × 25	15.5
M6	15 × 22	12.5
M6	16.3 × 19	10.0
M6	16 × 24	14.0
M4	10 × 15	8.5
M5	10 × 15	8.5



(Ø × A × B × C mm)

Sheet-Metal Nuts, Spring Steel DIN 17222, Zn-Coat.

- Application: for material thickness 0.5 – 1.8 mm
- Zinc-coated steel
- Art.-No. 2290 39 2, 2290 65 2:
- Shape 2



Article No.	Article Description	QTY
2290 29	SHEET-MET.NUT 2.9 12.00X11.00	H 300
2290 35	SHEET-MET.NUT 3.5 16.50X11.00	H 300
2290 39	SHEET-MET.NUT 3.9 16.50X11.30	H 300
2290 39 2	SHEET-MET.N.3.9 S2 15.00X12.50	H 300
2290 42	SHEET-MET.NUT 4.2 16.50X11.20	H 300
2290 42 1	SHEET-MET.NUT 4.2 24.50X11.00	H 300
2290 48	SHEET-MET.NUT 4.8 16.00X14.50	H 300
2290 48 1	SHEET-MET.NUT 4.8 16.50X11.30	H 300
2290 48 2	SHEET-MET.NUT 4.8 18.25X16.00	H 300
2290 48 3	SHEET-MET.NUT 4.8 20.00X12.00	H 300
2290 55	SHEET-MET.NUT 5.5 26.00X14.80	H 300
2290 56	SHEET-MET.NUT 5.6 20.20X13.30	H 300
2290 63	SHEET-MET.NUT 6.3 27.00X14.20	H 300
2290 65	SHEET-MET.NUT 6.5 25.20X16.20	H 300
2290 65 2	SHEET-MET.N.6.5 S2 25.00X14.80	H 300

(L x W mm)

Technical Data			
For screw-Ø mm	L mm	B mm	C mm
2.90	12.00	11.00	6.00
3.50	16.50	11.00	8.00
3.90	16.50	11.30	8.00
3.90	15.00	12.50	7.00
4.20	16.50	11.20	8.00
4.20	24.50	11.00	7.50
4.80	16.00	14.50	6.50
4.80	16.50	11.30	8.00
4.80	18.25	16.00	9.50
4.80	20.00	12.00	9.00
5.50	26.00	14.80	8.00
5.60	20.20	13.30	8.50
6.30	27.00	14.20	12.00
6.50	25.20	16.20	11.00
6.50	25.00	14.80	11.00

Sheet-Metal Nuts, Galvanized Steel in Assortment

- 2.9 – 6.5 = 650 pieces

Contents:

Article No.	Article Description	Quantity
2290 29	SHEET-MET.NUT 2.9 12.00X11.00	50
2290 35	SHEET-MET.NUT 3.5 16.50X11.00	50
2290 39	SHEET-MET.NUT 3.9 16.50X11.30	50
2290 42	SHEET-MET.NUT 4.2 16.50X11.20	50
2290 42 1	SHEET-MET.NUT 4.2 24.50X11.00	50
2290 48	SHEET-MET.NUT 4.8 16.00X14.50	50
2290 48 1	SHEET-MET.NUT 4.8 16.50X11.30	50
2290 48 2	SHEET-MET.NUT 4.8 18.25X16.00	50
2290 48 3	SHEET-MET.NUT 4.8 20.00X12.00	50
2290 56	SHEET-MET.NUT 5.6 20.20X13.30	50
2290 65	SHEET-MET.NUT 6.5 25.20X16.20	150

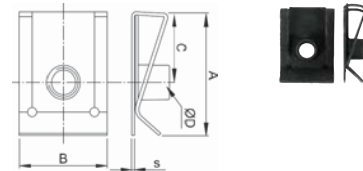


Article No.	Article Description	QTY
9000 2290	ASSORTMENT SHEET-METAL NUTS	1
9000R 2290	TRAY SHEET-METAL NUTS	1

Plate Nuts, Metric

Art.-No. 2291 5:

- Self-locking



Article No.	Article Description	QTY
2291 5	PLATE NUT M5 20.4X15.0X10.5	f 100
2291 5 1	PLATE NUT M5 20.3X15.0X11.3	f 100
2291 6	PLATE NUT M6 23.8X16.0X11.5	f 100
2291 6 1	PLATE NUT M6 23.6X16.0X11.5	f 100
2291 6 2	PLATE NUT M6 24.2X16.0X14.0	f 100
2291 8	PLATE NUT M8 25.0X16.0X13.0	f 100
2291 9	PLATE NUT M8 27.5X18.0X13.0	f 100

Technical Data					
Ø D mm	A mm	B mm	C mm	s mm	Thickness mm
M 5	20.40	15.00	10.50	0.60	0.80 – 4.30
M 5	20.30	15.00	11.30	0.60	0.80 – 4.30
M 6	23.80	16.00	11.50	0.80	0.70 – 4.00
M 6	23.60	16.00	11.50	0.80	0.50 – 4.80
M 6	24.20	16.00	14.00	0.80	0.50 – 4.00
M 8	25.00	16.00	13.00	1.00	0.50 – 4.00
M 8	27.50	18.00	13.00	1.00	0.80 – 4.00

Clamps Universal, Sheet-Metal Nuts



Article No.	Article Description	QTY
3040 1061	UNIVERSAL CLAMP METAL BLACK	fH 300
2290 30	SHEET-MET.3.0 CURV.14.85X8.15	H 300
2290 35 1	SHEET-MET.3.5 CURV.15.10X8.0	H 300

Article No.	Article Description	QTY
2290 40	SH.MET.NUT 4.0 YELL.18.00X10.1	H 300
3040 1795	UPHOLSTERY CLAMP 4MM 1795	fH 300

Box Nuts, Zinc-Coated Steel

- Compensation possibility in case of tolerance variation due to horizontal and vertical movement of the nut inside the spring steel housing
- Zinc-coated steel



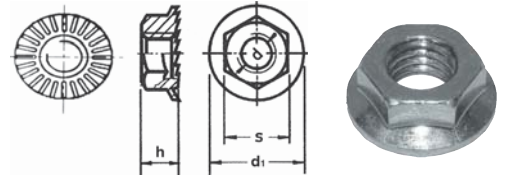
Article No.	Article Description	QTY
2295 4	BOX NUT M 4	100
2295 4 1	BOX NUT M 4 BLACK	100
2295 4 2	BOX NUT M 4 GA	100
2295 5	BOX NUT M 5	100
2295 6	BOX NUT M 6	100
2295 6 1	BOX NUT M 6 BLACK	100
2295 8	BOX NUT M 8	100
2295 8 1	BOX NUT M 8 BLACK	100

(Ø M in mm)

Technical Data	
Fixing thickness mm	Fixing hole mm
0.7 – 1.6	6.9 × 6.9
0.7 – 1.6	8.1 × 13
0.7 – 1.7	9.5 × 9.5
0.7 – 1.6	9.5 × 9.5
0.7 – 1.6	9.5 × 9.5
0.7 – 1.6	8.1 × 13
1.8 – 3.2	12.1 × 12.1
1.8 – 3.2	11.1 × 18.5

Serrated Locking Nuts, Zinc-Coated

- Strength class 8
- Zinc-coated steel

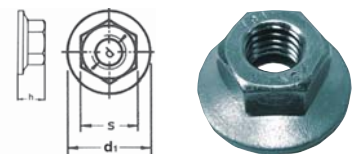


Article No.	Article Description	QTY
2073 3	SERRATED LOCKING NUT ZN M 3	F 1000
2073 4	SERRATED LOCKING NUT ZN M 4	F 1000
2073 5	SERRATED LOCKING NUT ZN M 5	H 500
2073 6	SERRATED LOCKING NUT ZN M 6	H 500
2073 8	SERRATED LOCKING NUT ZN M 8	H 500
2073 10	SERRATED LOCKING NUT ZN M 10	fH 500
2073 12	SERRATED LOCKING NUT ZN M 12	fH 500
2073 14	SERRATED LOCKING NUT ZN M 14	50
2073 16	SERRATED LOCKING NUT ZN M 16	25
2073 20	SERRATED LOCKING NUT ZN M 20	25

Technical Data			
d Thread Ø	p mm Pitch	d1 mm Outside Ø	h mm Height
3	0.50	8.0	4.00
4	0.70	10.0	4.65
5	0.80	11.8	5.00
6	1.00	14.2	6.00
8	1.25	17.9	8.00
10	1.50	21.8	10.00
12	1.75	26.0	12.00
14	2.00	29.9	14.00
16	2.00	34.5	16.00
20	2.50	42.8	20.00

Hex Flange Nuts, Zinc-Coated

- Strength class 8
- Hex flange nut with captive washer
- Steel yellow zinc-coated



Article No.	Article Description	QTY
2040 4	FLANGE NUT WITH WASHER M4	HR 500
2040 5	FLANGE NUT WITH WASHER M5	HR 500
2040 6	FLANGE NUT WITH WASHER M6	HR 500
2040 8	FLANGE NUT WITH WASHER M8	HR 500
2040 10	FLANGE NUT WITH WASHER M10	HR 500

Technical Data			
Thread Ø d mm	Pitch p mm	Outside Ø d1 mm	Height h mm
4	0.70	12	3.2
5	0.80	15	4.0
6	1.00	18	5.0
8	1.25	23	6.5
10	1.50	28	8.0

Sheet Metal Screw with Washer, Zinc-Coated Steel

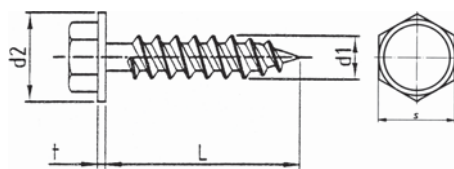
- With hex head captive washer
- Corrosion resistant
- **Zinc-coated steel**



Article No.	Article Description	QTY
1302 42 13	COM.HD TAPP.SCR.WASH ZN 4.2X13	HR 500
1302 48 13	SHEET MET.SCR.W.WASH.ZN 4.8X13	HR 500
1302 48 16	COM.SH.MET.SCR.W.WASH.ZN4.8X16	HR 500
1302 48 19	COM.SH.MET.SCR.W.WASH.ZN4.8X19	HR 500
1302 56 13	COM.HD TAPP.SCR.WASH ZN 5.6X13	HR 500
1302 56 16	COM.SH.MET.SCR.W.WASH.ZN5.6X16	HR 500
1302 56 19	COM.HD TAPP.SCR.WASH ZN 5.6X19	HR 500
1302 63 16	COM.HD TAP.SC.WASH ZN6.3X16-22	HR 500
1302 63 19	SHEET MET.SCR.W.WASH.ZN 6.3X19	HR 500
1302 65 16	COM.SH.MET.SCR.W.WASH.ZN6.5X16	HR 500
1302 65 20	COM.SH.MET.SCR.W.WASH.ZN6.5X20	HR 500

(d thread-Ø x length mm)

Technical Data



d1 Thread Ø mm	d2 mm	t mm	s (SW) mm
4.2	12	1.0	7
4.8	15	1.6	8
5.6	15	1.6	8
6.3	18	1.6	10
6.5	18	1.6	10

Ass: Sheet Metal Screw with Washer, Zinc-Coated

- 4.2 x 13 – 6.5 x 20 = 450 pieces

Contents:

Article No.	Article Description	Quality
1302 42 13	COM.HD TAPP.SCR.WASH ZN 4.2X13	50
1302 48 16	COM.SH.MET.SCR.W.WASH.ZN4.8X16	50
1302 48 19	COM.SH.MET.SCR.W.WASH.ZN4.8X19	50
1302 56 16	COM.SH.MET.SCR.W.WASH.ZN5.6X16	50
1302 63 16	COM.HD TAP.SC.WASH ZN6.3X16-22	50
1302 65 16	COM.SH.MET.SCR.W.WASH.ZN6.5X16	50
1302 65 20	COM.SH.MET.SCR.W.WASH.ZN6.5X20	150

Article No.	Article Description	QTY
9000 1302	ASS.HEX HD SH.MET.SCR.W.CAPWA	1
9000R 1302	TRAY HEX HD SH.MET.SC.W.CAP.WA	1



Tapping Screws

Article No.	Article Description	QTY
1302 48 16 1	SHEET META.SREW+WASH BL.4.8X16	HR 500
1302 55 19	SHEET META.SREW+WASH BL.5.5X19	HR 500
3040 1031	SHEET METAL SCREW 4.8X16 TX25	gf 100
3040 1102	SHEET META.SREW 6.3+WASHER1102	gf 100
3040 1135	SHEET METAL SCREW W.WASHER1135	gf 100
3040 1823	SCREW 6.3X14 1823	gf 100
3040 1825	SCREW 5.5X19 WASHER 22 1825	gf 100



Screws for Plastic

Article No.	Article Description	QTY
3040 1812	SCREW 6X20 1812	gf 100
3040 1833	SCREW 5X22 WASHER 16 1833	gf 100
3040 1837	SCREW 4.5X19 WASHER 16 1837	gf 100
3040 1838	SCREW 6X26 WASHER 17 1838	gf 100
3040 1839	SCREW 5X16 1839	gf 100



3040 1839

Metric-Thread Screws

Article No.	Article Description	QTY
3040 1090	BUMPER SCREW BLACK M6X27 1090	z 50
3040 1111	WHEEL HOUSING SCREW 6X17 1111	gf 100
3040 1151	REAR BUMPER SCREW BLACK M6X19	z 50
3040 1813	SCREW 6X20 1813	gf 100
3040 1814	SCREW M6X25 WASHER 18 1814	gf 100
3040 1815	SCREW M6X20 WASHER 22 1815	gf 100
3040 1816	SCREW M6X20 WASHER 18 1816	gf 100
3040 1817	SCREW M6X18 WASHER 18 1817	gf 100
3040 1818	SCREW M6X23 WASHER 18 1818	z 50
3040 1819	DOOR LOCK SCREW M6X18 1819	z 50



Cable Tie with Foot



Article No.	Article Description	QTY
3040 1007	CABLE TIE WITH FOOT 140X4.5MM	gf 100
3040 1012	CABLE TIE WITH FOOT 132X4.8MM	gf 100

(Tie length x tie width mm)

Technical Data				
Hole mm	Thickness mm	Bundle Ø mm	Tie length mm	Tie width mm
6.50	0.70 - 1.50	8.00 - 35.00	140.00	4.50
6.50	0.70 - 3.00	1.50 - 24.40	132.00	4.80

Cable Ties with Support



Article No.	Article Description	QTY
3040 1316	CABLE TIE 3.6X140MM WITH CLIP	fH 300
3040 1317	CABLE TIE 3.6X200MM WITH CLIP	fH 300

Technical Data		
Mounting hole mm	Belt length mm	Belt breadth mm
6.50 - 7.00	140.00	3.60
6.50 - 7.00	200.00	3.60

Cable Support

- Internal diameter = 16 mm

Article No.	Article Description	QTY
3040 1116	CABLE HOLDER 1116	gf 100



Cable ties with welding-bolt support

- Material: Polyamide 6.6
- Temperature resistant up to +85°C (for brief periods +105°C)
- Mesh structure for increased band flexibility
- For the quick bundling of cables, cable looms, hoses, etc.
- Can be reopened to add more cables
- May be applied with soft-push to threaded bolts and released by turning once more to the left
- Very high tensile strength
- For 5 mm - welding bolts, threaded bolts M5
- Material class: UL94 V2

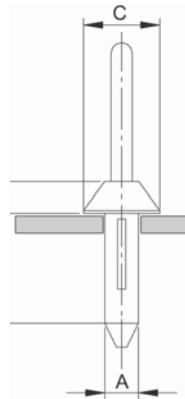


Article No.	Article Description	QTY
3040 1848	CABLE TIE 10X200MM F. M5 ATTA.	100

Technical Data			
Bundle-Ø max. mm	Bolt-Ø mm	Band length mm	Band width mm
50	5	200	10

Plastic Rivets

- For securing interior panelling, interior fenders, dashboards, etc.
- Simple installation with rivet gun for plastic rivets
Art.-No. 2722 20 2
- Protected against corrosion and contact corrosion
- Non-conductive installation possible
- Art.-No. 3040 4003: for BMW, Original no. 07142151750
- Art.-No. 3040 4005: for BMW, Original no. 51717002953
- Due to the wide range of potential applications, the protrusion of the bolt cannot be excluded in every installation scenario.



Article No.	Article Description	QTY
3040 4001	PLASTIC RIVETS 5.0X17.2MM	w 100
3040 4002	PLASTIC RIVETS 5.0X15.8MM	w 100
3040 4003	PLASTIC RIVETS 6.3X25.2MM	w 100
3040 4004	PLASTIC RIVETS 6.8X17.2MM	w 100
3040 4005	PLASTIC RIVETS 6.0X19.3MM	w 100

Technical Data						
Fastening hole Ø mm	A mm	B mm	C mm	D mm	Fastening thickness mm	
5.00	4.90	17.20	12.30	2.00	3.00 – 5.00	
5.00	4.90	15.80	11.80	3.30	1.50 – 4.50	
6.30 – 6.50	6.30	25.20	16.90	2.50	4.00 – 10.00	
6.70 – 7.00	6.60	17.30	13.00	2.50	2.50 – 5.00	
6.00	5.80	19.00	20.00	2.70	2.80 – 5.00	

Hose Fittings

- For fixing interior linings, inner mudguards, dashboards etc.
- Art.-No. 3040 4005 for BMW, Original-No.: 51717002953



Article No.	Article Description	QTY
3040 4001	PLASTIC RIVETS 5.0X17.2MM	w 100
3040 4002	PLASTIC RIVETS 5.0X15.8MM	w 100
3040 4003	PLASTIC RIVETS 6.3X25.2MM	w 100
3040 4004	PLASTIC RIVETS 6.8X17.2MM	w 100
3040 4005	PLASTIC RIVETS 6.0X19.3MM	w 100

(Hole-Ø x W mm)

Pumps Windscreen Washer System



3040 1760
Mercedes-Benz



3040 1761
BMW, Mercedes-Benz, VAG



3040 1762
VAG



3040 1763
BMW, Mercedes-Benz,
Smart, VAG



3040 1764
BMW



3040 1765
PSA



3040 1766
Fiat, PSA



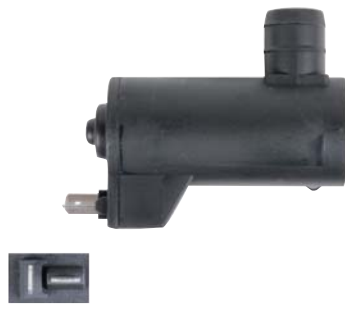
3040 1767
Fiat, PSA



3040 1768
PSA, Renault



3040 1769
Fiat, Opel



3040 1770
Deawoo, Fiat, Honda, Hyundai,
Mitsubishi, Suzuki, Toyota

Article No.	Article Description	QTY
3040 1760	PUMPS WINDS.WASHER SYSTEM 1760	1
3040 1761	PUMPS WINDS.WASHER SYSTEM 1761	1
3040 1762	PUMPS WINDS.WASHER SYSTEM 1762	1
3040 1763	PUMPS WINDS.WASHER SYSTEM 1763	1
3040 1764	PUMPS WINDS.WASHER SYSTEM 1764	1
3040 1765	PUMPS WINDS.WASHER SYSTEM 1765	1
3040 1766	PUMPS WINDS.WASHER SYSTEM 1766	1
3040 1767	PUMPS WINDS.WASHER SYSTEM 1767	1
3040 1768	PUMPS WINDS.WASHER SYSTEM 1768	1
3040 1769	PUMPS WINDS.WASHER SYSTEM 1769	1
3040 1770	PUMPS WINDS.WASHER SYSTEM 1770	1

(Continued on next page)

Pumps Windscreen Washer System



3040 1771
Ford



3040 1772
Ford, Opel, VAG



3040 1773
Mercedes-Benz, Opel,
VAG



3040 1774
Opel, VAG



3040 1775
Opel



3040 1776
Renault



3040 1777
Renault



3040 1778
PSA, Renault



3040 1779
Renault



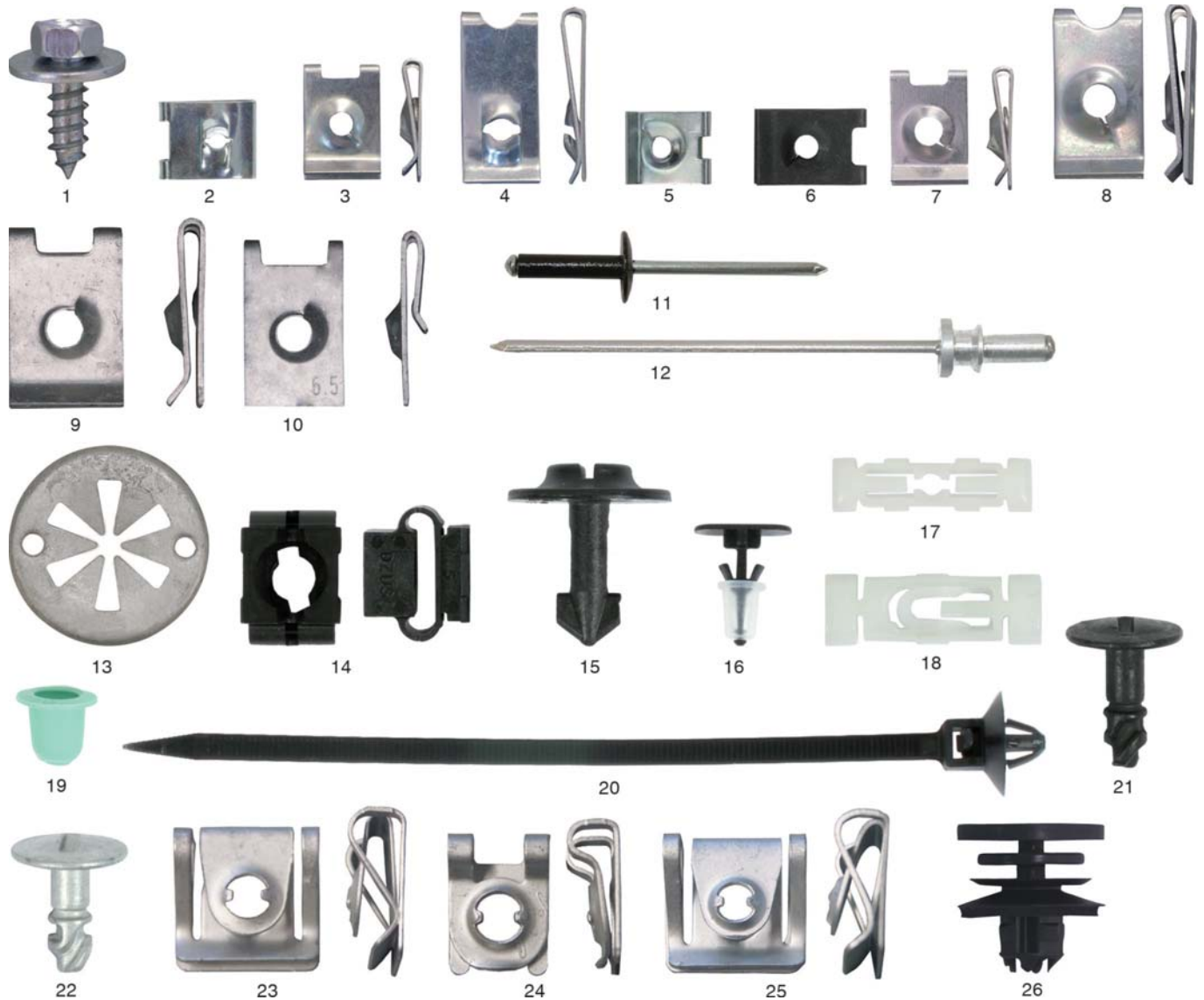
3040 1780
VAG



3040 1781
VAG, Volvo

Article No.	Article Description	QTY
3040 1771	PUMPS WINDS.WASHER SYSTEM 1771	1
3040 1772	PUMPS WINDS.WASHER SYSTEM 1772	1
3040 1773	PUMPS WINDS.WASHER SYSTEM 1773	1
3040 1774	PUMPS WINDS.WASHER SYSTEM 1774	1
3040 1775	PUMPS WINDS.WASHER SYSTEM 1775	1
3040 1776	PUMPS WINDS.WASHER SYSTEM 1776	1
3040 1777	PUMPS WINDS.WASHER SYSTEM 1777	1
3040 1778	PUMPS WINDS.WASHER SYSTEM 1778	1
3040 1779	PUMPS WINDS.WASHER SYSTEM 1779	1
3040 1780	PUMPS WINDS.WASHER SYSTEM 1780	1
3040 1781	PUMPS WINDS.WASHER SYSTEM 1781	1

Fixing Parts AUDI, VW, SEAT, SKODA (VW AG)



Article No.	Article Description	QTY	Pic	OEM-No.	Vehicle-Application
1302 63 19	SHEET MET.SCR.W.WASH.ZN 6.3X19	HR 500	1	311821143, N90542602	AUDI, VW, var. models
2290 30 1	SHEET NUTS UNI.3.0 15.00X12.20	H 300	2		SEAT, var. models
2290 42	SHEET-MET.NUT 4.2 16.50X11.20	H 300	3	N0154292	AUDI, VW, var. models
2290 42 1	SHEET-MET.NUT 4.2 24.50X11.00	H 300	4	211837223	AUDI, VW, var. models
2290 42 2	SHEET NUTS UNI.4.2 13.00X11.15	H 300	5	N90170801	AUDI, VW Golf
2290 42 4	SHEET NUTS UNI.4.2 16.50X11.16	H 300	6	N0154291	AUDI, VW, var. models
2290 48 1	SHEET-MET.NUT 4.8 16.50X11.30	H 300	7		VW Golf III
2290 63	SHEET-MET.NUT 6.3 27.00X14.20	H 300	8	N0154322	AUDI, VW, var. models
2290 65	SHEET-MET.NUT 6.5 25.20X16.20	H 300	9	803821117	AUDI, VW, var. models
2290 65 2	SHEET-MET.N.6.5 S2 25.00X14.80	H 300	10	311821161	AUDI, VW, var. models
2707 4 14	BLIND RI.12MM AL BLACK/ST 4X14	HR 500	11	N90634901	AUDI, VW, VW Golf
3010 1	BODY TRIM RIVET T-BOLT	100	12		AUDI, VW, var. models: moulding
3011 3	RETAINING RING	100	13	N90335004, N90335006	AUDI, VW, var. mod. insul. board exhaust
3040 1001	CLAMPING NUT PLAST.11.1X14.1	gf 100	14	4A0805163	AUDI, VW, var. models
3040 1002	TURN LOCK PLAST. 6.4X14 B25	gf 100	15	4A0805121A	AUDI, VW, var. models
3040 1003	INNER LINING CLIP 1003	gf 100	16	1H0837719	AUDI, VW, var. models: inner lining
3040 1004	ROOF STRIP CLIP 1004	gf 100	17	191853733A, 6U0853733	AUDI, VW, var. models: roof strip
3040 1005	MOULDING CLIP 1005	gf 100	18	1H0853733B	AUDI, VW, var. models: moulding
3040 1006	GROMMET CLOSED 8.8X11.4	gf 100	19	1H0853586	AUDI, VW, var. models
3040 1007	CABLE TIE WITH FOOT 140X4.5MM	gf 100	20	N90205501	AUDI, VW, var. models: cable
3040 1008	CLAMP.SCREW BLACK 7.0X21.0MM	gf 100	21	8D0805121B	AUDI, VW, var. models
3040 1009	CLAMP.SCREW SILVER 7.0X18.0MM	gf 100	22	8D0805121	AUDI, VW, var. models
3040 1013	PLATE NUT 1013	gf 100	23	8D0805960	AUDI, VW, var. models
3040 1014	PLATE NUT 1014	gf 100	24	8E0805960	AUDI, VW, var. models
3040 1015	PLATE NUT 1015	gf 100	25	4A0805960	AUDI, VW, var. models
3040 1016	INNER LINING CLIP 1016	gf 100	26	3B0868243	VW Golf IV, Passat, SEAT

(Continued on next page)

Fixing Parts AUDI, VW, SEAT, SKODA (VW AG)



Article No.	Article Description	QTY	Pic	OEM-No.	Vehicle-Application
3040 1017	INNER LINING CLIP 1017	gf 100	27	6Q0868243	VW Polo 2, Caddy, Golf IV
3040 1018	INNER LINING CLIP 1018	gf 100	28	8E0868243	AUDI A4 year '00: inner lining
3040 1019	CLAMP SCREW BLACK 6.0X20.00MM	gf 100	29	4A0805121B	AUDI, VW, var. models
3040 1020	TURN LOCK PLAST. 6.2X16 B25	gf 100	30	4A0805121C	AUDI, VW, var. models
3040 1021	MOULDING CLIP WITH RED RING	gf 100	31	113853585C	VW Golf, Polo, Passat
3040 1022	INNER LINING CLIP 1022	gf 100	32	823867299	AUDI, VW, var. mod. inner lining
3040 1023	UPHOLSTERY CLIP ZI FLAT	gf 100	33	N0143893, N143893	AUDI, VW, var. models
3040 1024	COVER PLUG BLACK 14.0X2X20	gf 100	34	80186729901C, 801867299041	VW Golf, Polo: car body
3040 1025	INNER LINING CLIP YELLOW 1025	gf 100	35	7M0867299K	AUDI, VW, var. mod. inner lining
3040 1026	DOOR STRIP CLIP BLACK 1026	gf 100	36	251823717	VW Golf III: door
3040 1027	GEOMET CLAMP WASHER 321 SILVER	gf 100	37	N90796502	AUDI, VW, var. models
3040 1028	GROMMET CLOSED 9.0X15.0	gf 100	38	113857219A	AUDI, VW, var. models
3040 1029	FIR TREE CLIP 14X2X15 1029	gf 100	39	82386320301C	VW Golf 88
3040 1030	INNER LINING CLIP 1030	gf 100	40	1H0868243B	AUDI, VW, var. models
3040 1031	SHEET METAL SCREW 4.8X16 TX25	gf 100	41	N90775001	AUDI, VW, var. models
3040 1032	MOULDING CLIP WITHOUT GROMMET	gf 100	42	1H0853585	VW Golf III: moulding
3040 1034	FIR TREE CLIP 20X2.5X20 1034	gf 100	43	N90201601	VW Polo 95
3040 1057	METAL CLAMP FOR WINDOW LIFTER	fH 300	44	FA52143600	SEAT, var. models: window
3040 1060	WALL MOUNTING TAILGATE	gf 100	45	4B0867276A	AUDI, VW, var. models: tailgate
3040 1074	HEADLIGHT SETTING CLAMP 1	ü 10	46	191941133	VW Golf 90: headlight
3040 1075	HEADLIGHT SETTING CLAMP 1	ü 10	47	191941141	VW Golf 90: headlight
3040 1076	HEADLIGHT CLIP WS	fH 300	48	191941142	VW Golf 90: headlight
3040 1079	MOULDING CLIP WITH GROMMET	z 50	49	1H0853585	VW Golf III: moulding
3040 1080	MOULDING CLIP YELLOW	z 50	50	1H0853585B	VW Golf III: moulding
3040 1081	MOULDING CLIP COLOURLESS	z 50	51	1H0853585A	VW Golf: moulding
3040 1083	SCREEN CLIP	z 50	52		SEAT, var. models: screen

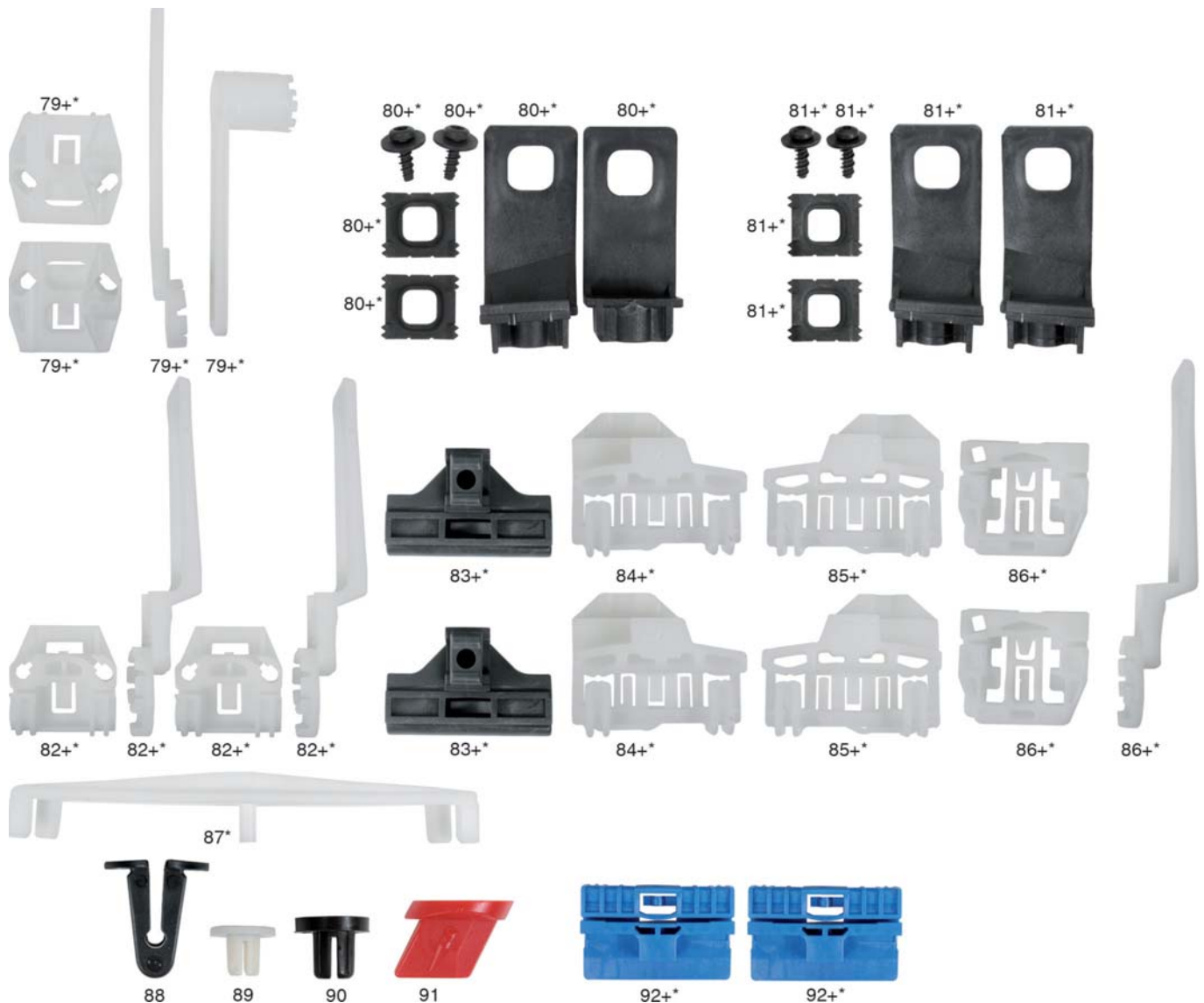
(Continued on next page)

Fixing Parts AUDI, VW, SEAT, SKODA (VW AG)



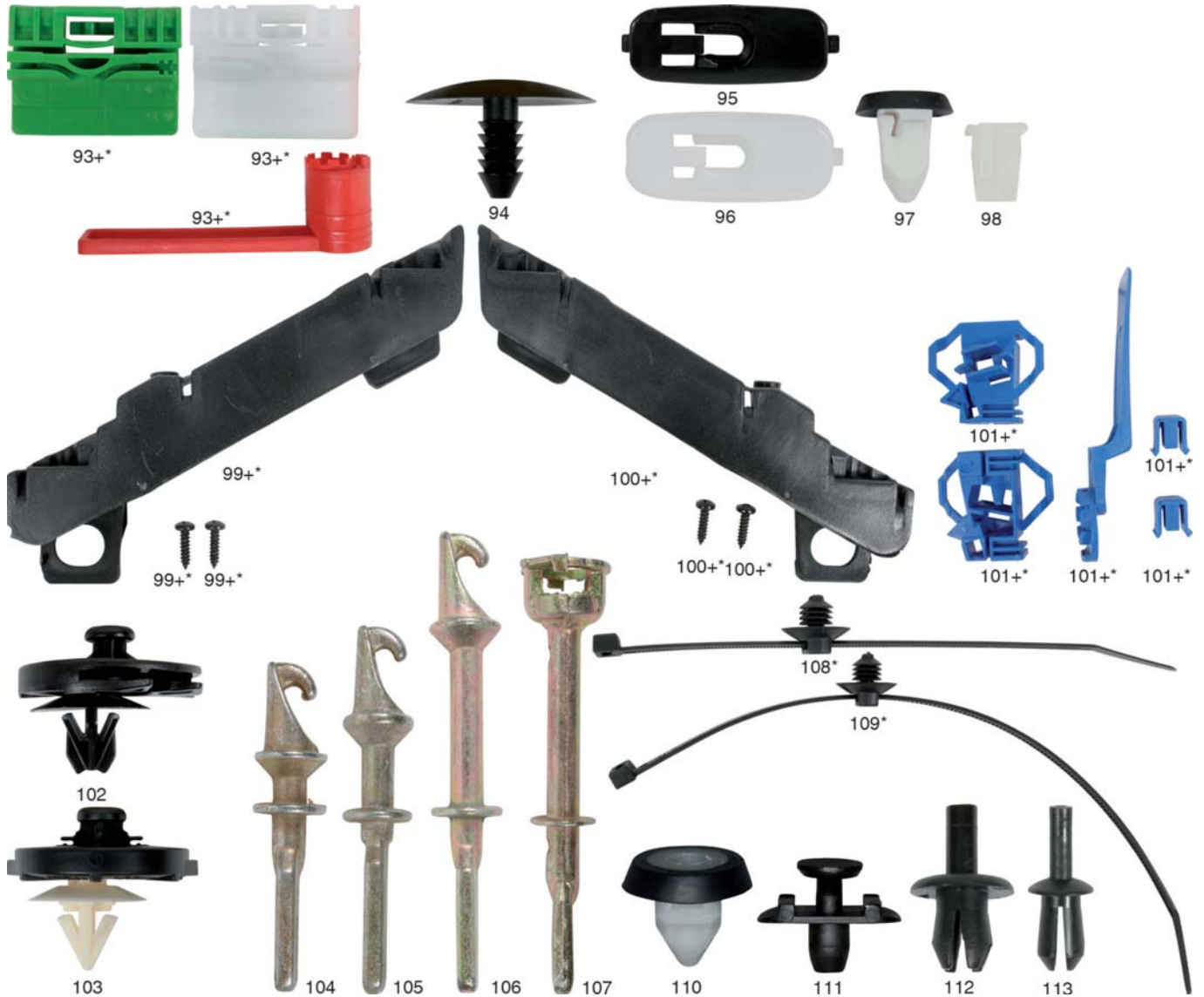
Article No.	Article Description	QTY	Pic	OEM-No.	Vehicle-Application
3040 1090	BUMPER SCREW BLACK M6X27 1090	z 50	53	6N0807199	AUDI, VW, var. models: bumper
3040 1091	INNER LINING CLIP 1091	fH 300	54		SEAT, var. models: inner lining
3040 1115	PLASTIC SCREW	gf 100	56	443853547B	AUDI, VW, var. models
3040 1116	CABLE HOLDER 1116	gf 100	57		SEAT, var. models: cable
3040 1117	FIR TREE CLIP GR 8X18X25 1117	fH 300	58		SEAT, var. models: wheel housing
3040 1118	FIR TREE CLIP BL 8X18X25 1118	fH 300	59	0008235646	SEAT, var. models: wheel housing
3040 1122	EXPAN.NUTS PLASTIC 7X10 1122	fH 300	60	HB56625000	SEAT, var. models: numberplate
3040 1132	MOUNTING DOOR LINING 1132	gf 100	61	1H0868244B	VW Golf: door lining
3040 1134	MOULDING CLAMP	gf 100	62	171853585	VW Golf: moulding
3040 1145	MOUNT.VENTILAT.GRILLE BONNET	gf 100	63	1H0819055B	AUDI, VW, var. models: vent. grille
3040 1146	SCREW RIVET PLA.8X8X16X14 1146	fH 300	64	1H0819055C	VW Golf III: ventilation grille
3040 1150	SELF-CUTTING NUT 4.8SW GALV.	fH 300	65	N0386021	AUDI, VW, var. models
3040 1151	REAR BUMPER SCREW BLACK M6X19	z 50	66	6N0807199	AUDI, VW, var. models: rear bumper
3040 1154	INNER LINING CLIP 1154	fH 300	67	357867646	AUDI, VW, var. models: inner lining
3040 1155	FIR TREE CLIP BL 10X23X16 1155	fH 300	68	1H0867199	AUDI, VW, var. models: inner lining
3040 1174	SOUND INSULATION BONNET	gf 100	69	1H5863849	AUDI, VW, var. models: bonnet
3040 1187	MOUNTING UPHOLSTERY CEILING	fH 300	70	321867838	AUDI, VW, var. models: interior
3040 1188	MOUNTING WHEEL HOUSING	gf 100	71	N90833801	AUDI, VW, var. models: wheel housing
3040 1194	MOUNTING CLIP WHEEL HOUSING	fH 300	72		AUDI, VW, var. models: wheel housing
3040 1195	MOUNTING WHEEL HOUSING LINING	fH 300	73	N90474001	AUDI, VW, var. models: wheel housing
3040 1196	MOUNTING CLIP WHEEL HOUSING	fH 300	74	441955973B	AUDI, VW, var. models: wheel housing
3040 1203	MOUNTING LINING 6MM	fH 300	75	N90127883	AUDI, VW, var. models
3040 1219	MOUNTING WINDSCREEN YELLOW	z 50	76	1M0854541A	SEAT, Toledo, Leon: screen
3040 1220	MOUNTING WINDSCREEN BLACK	gf 100	77	1M0854719A	SEAT, Toledo, Leon: screen
3040 1223	CLAMPING DEVICE WINDOW LIFTER	1	78+*		AUDI, VW, var. models: window

Fixing Parts AUDI, VW, SEAT, SKODA (VW AG)



Article No.	Article Description	QTY	Pic	OEM-No.	Vehicle-Application
3040 1224	REPAIR KIT WINDOW LIFTER	1	79+*		AUDI, VW, var.models: window
3040 1225	REPAIR HEADLIGHT RIGHT	1	80+*		VW Golf IV: headlight
3040 1226	REPAIR HEADLIGHT LEFT	1	81+*		VW Golf IV: headlight
3040 1236	REPAIR KIT WINDOW LIFTER	1	82+*		SEAT, Ibiza, Leon: window
3040 1237	REPAIR WINDOW LIFTER	1	83+*		AUDI, VW, var.models: window
3040 1238	REPAIR WINDOW LIFTER DOOR LEFT	1	84+*		AUDI, VW, var.models: window
3040 1239	REPAIR WIND.LIFTER DOOR RIGHT	1	85+*		AUDI, VW, var.models: window
3040 1240	REPAIR WINDOW LIFTER	1	86+*		SKODA, Octavia: window
3040 1241	CLAMPING DEVICE WINDOW LIFTER	1	87*		SKODA, var.models: window
3040 1244	EXPAN.NUTS PLASTIC 8X16 1244	gf 100	88	4A0857610	AUDI, VW, var. models: inner lining
3040 1247	MOUNTING LOGO 1247	gf 100	89	8D0853622	AUDI, VW, AUDI A4: company logo
3040 1248	MOUNTING CLIP LOGO 1248	gf 100	90	865853231A	AUDI, VW, var. models: company logo
3040 1254	INNER LINING CLIP RED 1254	gf 100	91	1J0853120	AUDI, VW, var. models: inner lining
3040 1256	REPAIR WINDOW LIFTER	1	92+*		AUDI A3/A6: window lifter

Fixing Parts AUDI, VW, SEAT, SKODA (VW AG)



Article No.	Article Description	QTY	Pic	OEM-No.	Vehicle-Application
3040 1257	REPAIR WINDOW LIFTER 3-PIECE	1	93+*		AUDI A4 from year 2002: window lifter
3040 1260	FIR TREE CLIP BL6.5X30X16 1260	fH 300	94	357863119	AUDI, VW, var. models: inner lining
3040 1265	MOUNTING ROD BLACK DOOR	gf 100	95	8L0853909	AUDI A3: door
3040 1266	MOUNTING ROD WHITE DOOR	gf 100	96	8D0853909B	AUDI A4: door
3040 1273	MOUNTING DOOR LINING 1273	fH 300	97	N10516801	AUDI, VW, var. models: door
3040 1274	EXPAN.NUTS PLASTIC 7X9 1274	fH 300	98	811807577B	AUDI, VW, var. models: wheel housing
3040 1279	REPAIR HEADLIGHT RIGHT	1	99+*	8E0998122	AUDI A4: headlight
3040 1280	REPAIR HEADLIGHT LEFT	1	100+*	8E0998121	AUDI A4: headlight
3040 1282	REPAIR WINDOW LIFTER	1	101+*		SEAT, Cordoba: window
3040 1283	MOUNTING BLACK DOOR LINING	gf 100	102	6K0868243	AUDI, VW, var. models: door
3040 1284	MOUNTING WHITE DOOR LINING	gf 100	103	6K0868243A	AUDI, VW, var. models: door
3040 1302	DOOR LOCK LEVER 50.1MM	z 50	104	6K3837223	AUDI, VW, var. models: door
3040 1303	DOOR LOCK LEVER 56.1MM	z 50	105	1H0837223B	AUDI, VW, var. models: door
3040 1304	DOOR LOCK LEVER 71.3MM	z 50	106	6K4837223	AUDI, VW, var. models: door
3040 1305	DOOR LOCK LEVER 67.6MM	z 50	107	6K4837223A	AUDI, VW, var. models: door
3040 1316	CABLE TIE 3.6X140MM WITH CLIP	fH 300	108*		AUDI, VW, var. models: cable
3040 1317	CABLE TIE 3.6X200MM WITH CLIP	fH 300	109*	6K0971898D	AUDI, VW, var. models: cable
3040 1318	MOUNT.WITH RUBBER LIP BUMPER	gf 100	110	N10621301	AUDI, VW, var. models: bumper
3040 1319	MOUN.CLIP RAIN PROT.STRIP DOOR	gf 100	111	8L3837199B	AUDI, VW, var. models: door
3040 3001	EXP.RIVET PLAST.7.9X12.0 B16	gf 100	112	16186729901C, N0385491	AUDI, VW, var. models
3040 3002	EXP.RIVET PLAST.5.8X11.4 B10	gf 100	113	N0385012	AUDI, VW, var. models

Fixing Parts AUDI, VW, SEAT, SKODA (VW AG)



Article No.	Article Description	QTY	Pic	OEM-No.	Vehicle-Application
3040 3005	EXPRIVET PLAST.13.0X17.4 B20	gf 100	114	8L0807300	AUDI A3 from 1997: Bumper
3040 3007	EXPRIV.PLAST.7.8X11.0 B12.3	gf 100	115	N0385501	AUDI, VW:, var. models
3040 3012	PLST.SPREAD NUT 7.4X6.6 3012	gf 100	116	867809966	AUDI, VW, var. models
3040 3013	PLST.SPREAD NUT 8.0X8.0 3013	gf 100	117	357827998	AUDI, VW, var. models
3040 3014	EXPRIVET PLAST. 5.0X11.5 B10	gf 100	118	N10259301	AUDI, VW, var. models
3040 3015	PLST.SPREAD NUT 7.0X7.0 3015	gf 100	119	811807577F	AUDI, VW, var. models
3040 3016	EXPRIV.W.CAP PLAST.6.5X15 B15	gf 100	120	N90359101	VW Golf
3040 3018	EXPRIVET PLAST. 5.8X11.4 B20	gf 100	121	N0385011	AUDI, VW, var. models
3040 3019	EXPRIVET PLAST. 7.0X16.0 B18	gf 100	122	171885767	AUDI, VW, var. models
3040 3020	EXPRIVET PLAST. 3.5X8.0 B8	gf 100	123	113857117B	AUDI, VW, var. models
3040 3021	PLST.SPREAD NUT 7.0X7.0 3021	gf 100	124	811807577C	AUDI, VW, var. models
3040 3022	PLST.SPREAD NUT 7.5X7.5 3022	gf 100	125	N90821401	AUDI, VW, var. models
3040 3030	PLASTIC NUT FOR COARSE THREAD	gf 100	126	171201969	AUDI, VW, var. models
3040 3046	EXPAND.RIVET PLASTIC 3.5X8X7	fH 300	127	113857117B	VAG,var.models
3040 3051	SCREW RIVET PLASTIC 8X10X24X13	fH 300	128	1H0867199A	VW Golf
3040 3054	SCREW RIVET PLASTIC 8X14X11	gf 100	129	3338676334FB	AUDI, VW, variable model: inner lining
3040 3059	SCREW RIVET PLAS.7X8X10X12X7.7	gf 100	130	6K0819285B41	SEAT, Ibiza: screen
3040 3063	SCREW RIVET PLAS. 6X8X16X11.6	fH 300	131	1H0819145B41	AUDI, VW, var.models: inner lining
3040 3080	EXPRIV.W.CAP PLST.8.0X20 B21	gf 100	132	8E0825267	VW Golf IV, Golf V, Passat
3040 3081	EXPRIVET PLAST. BL D=7.5 3081	gf 100	133	4D0807300	Audi A2, A8
3011 20	WINDOWLIFTER-REPAIR-SET VW	1	134+*		VW Golf, Bora from 1997:window lifter
3040 1347	EXPAN.NUTS PLASTIC 7X13 1347	fH 300	135	155809966	VW Caddy, Golf, Polo
3040 1348	MOUN.CLIP FRONT GRILL 1348	gf 100	136	4D0868637	VAG, var.models: front grill
3040 1356	MOUNTING DOOR LINING 1356	fH 300	137	NR14187480	Seat var.models
3040 1357	MOUNTING DOOR LINING 1357	gf 100	138	833640	Seat var.models: door and inner lining

Fixing Parts AUDI, VW, SEAT, SKODA (VW AG)



Article No.	Article Description	QTY	Pic	OEM-No.	Vehicle-Application
3040 1360	MOUNTING DOOR/INNER LINING1360	gf 100	139	801867299	VW Golf, Polo: inner lining
3040 1366	EXPAN.NUTS PLASTIC 11X15 1366	gf 100	140	NR14203080	Seat var.models: seat covers
3040 1369	FIR TREE CLIP BL 7X15X13 1369	gf 100	141	NR14592587	Seat, var.models: pads
3040 1370	UPHOLSTERY-CLIP 1370	gf 100	142	357853575	VW Golf from 90, Passat, Jetta, Vento
3040 1371	MOUNTING DOOR LINING 1371	gf 100	143	171807249A	VW Golf, Polo: Door lining
3040 1372	MOUNTING COVERING BONNET 1372	gf 100	144	251823717	VW Golf from year 89, Lupo, Sharan, Transporter: bonnet
3040 1373	EXPANDING RIVET 7X18X17 1373	gf 100	145	171885767	VW Golf: Inner lining
3040 1380	MOUNTING DOOR LINING 1380	gf 100	146	NR14187980	Seat, var.models: door lining
3040 1385	INNER LINING CLIP 1385	gf 100	147	811863905A	VAG var.models: inner lining
3040 1390	MOUNTING CLIP BUMPER 1390	gf 100	148	811863905D01C	Audi 80/90/100/A4/A6: Bumper
3040 1397	EXPAN.NUTS PLASTIC 7X12 1397	fH 300	149	6N0809966A	VW Polo 95: wheel case
3040 1398	EXPAN.NUTS PLASTIC 7X11 1398	gf 100	150	165827592	VW Golf III, Polo '95, Seat León '04: inner lining
3040 1399	MOUN. VENTILATION GRILLES 1399	gf 100	151	N90535301	VW Polo 95: Ventilation grill
3040 1400	MOUNTING FENDER STRIP 1400	gf 100	152	191853585A	VW Golf III, Passat, Seat Ibiza from 93: Mudguards, spoiler
3040 1402	MOUNTING SIDEBAR 1402	z 50	153	4A0853825	Audi A3/A4/A6: sidebar
3040 1407	MOUN. VENTIL.PIPE CENTRAL 1407	fH 300	154		VAG var.models: ventilation pipe central locking
3040 1410	MOUNTING NUMBER PLATE 1410	gf 100	155	357827998	VW Golf II, Passat, Vento: Number plate
3040 1411	INNER LINING CLIP 1411	gf 100	156	N90821401	VW Passat from 93-98, Seat Altea: door sill, inner lining
3040 1413	EXP.NUTS PLASTIC 6X6.5X10 1413	gf 100	157	1H0853120	VW Golf III: exterior mirror

Fixing Parts AUDI, VW, SEAT, SKODA (VW AG)



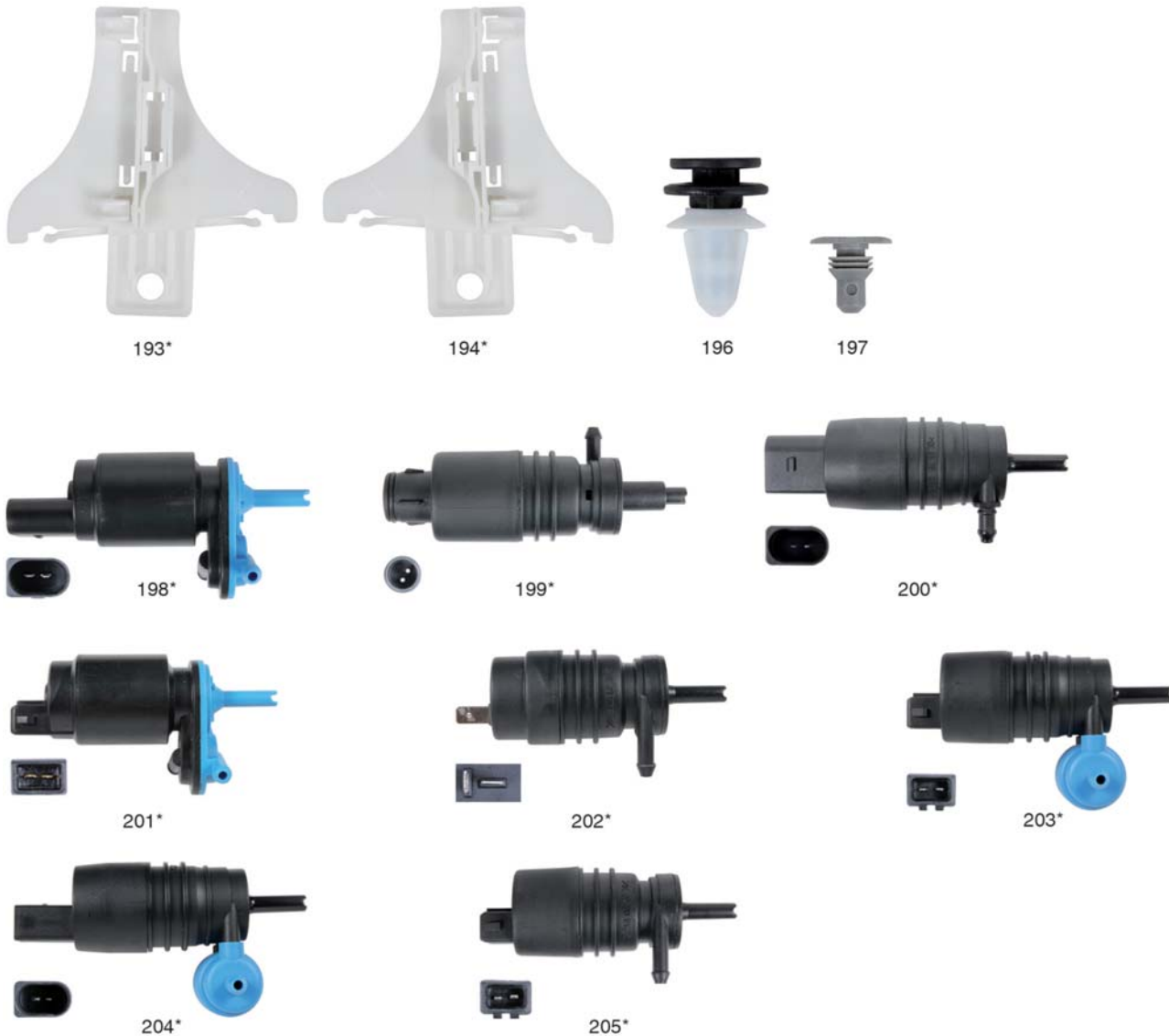
Article No.	Article Description	QTY	Pic	OEM-No.	Vehicle-Application
3040 1415	MOUN. INSULATION BONNET 1415	gf 100	158	867863849A	VAG var.models from 92:insulation motor bonnet
3040 1460	MOUNTING DOOR PULL ROD 1460	gf 100	159	171837199	VAG var.models: door drawbar
3040 1463	INNER LINING CLIP 1463	gf 100	160	443867299	VAG var.models: upholstery
3040 1464	EXPANDING RIVET 8X20X9 1464	gf 100	161	4D0807300B	Audi A2 from 2000, A8 from 94
3040 1469	INNER LINING CLIP 1469	gf 100	162	6K0868243C	Seat Ibiza, Córdoba from 99 to 02, VW Touareg: upholstery
3040 1472	INNER LINING CLIP 1472	gf 100	163	3B0837732	VW Golf, Bora, Lupo, Passat: inner lining
3040 1474	INNER LINING CLIP 1474	gf 100	164	893867290	Audi A6/A8/80/100: Inner lining
3040 1475	MOUNTING UPHOLSTERY CLIP 1475	z 50	165	3B9863689	VW Passat, Sharan: pad fastening
3040 1477	MOUNTING ROOF UPHOLSTERY 1477	gf 100	166	6N0867276	Seat Ibiza from 93, Cord. from 98, VW Bora, Golf IV, New Beetle, Passat from 02
3040 1481	MOUNTING UPHOLSTERY CLIP 1481	gf 100	167	6Q0880385	Seat Ibiza from 04, VW Polo: Pads
3040 1487	MOUNTING DOOR LINING 1487	gf 100	168	8E0867276	Audi A4 from 2002: door lining
3040 1506	EXPAN.NUTS PLASTIC 8X14 1506	gf 100	169	175867949	VW Golf III: Number Plate Holders
3040 1507	MOUN.DOOR UPHOLSTERY CLIP 1507	gf 100	170	8P0868243	Audi A3 from 2004: door pads
3040 1508	MOUN. DOOR UPHOLS. TRANS. 1508	gf 100	171	7H0843658A	VW Transporter from 2003:door pads
3040 1516	REPAIR SET HEADLIGHT RIGHT1516	1	172+*	6Q0998226	VW Polo from 2002: headlights right
3040 1517	REPAIR SET HEADLIGHT LEFT 1517	1	173+*	6Q0998225	VW Polo from 2002: headlights left
3040 1542	EXPANDING RIVET 5.5X16X11 1542	gf 100	174	N10219501/2	Audi, VW var.models
3040 1546	REPAIR SET WINDOW LIFTER 1546	1	175*		VW Polo Classic, Variant, Seat Cordoba Vario, Ibiza from 02
3040 1560	EXPANDING RIVET 5X10X11 1560	gf 100	176	1L0 853 934	Audi, VW var.models
3040 1568	EXPAN.NUTS PLASTIC 7X14 1568	gf 100	177	N91044401	Audi, VW var.models
3040 1584	DOOR UPHOLSTERY CLIP 1584	gf 100	178	8P0868243A	Audi A3 from 2007: door pads
3040 1585	EXPANDING RIVET 8.5X18X12 1585	gf 100	179	701867299U71	VW Bora, Caddy, Golf IV, LT, Passat, Phaeton, Polo, Transp., Vento

Fixing Parts AUDI, VW, SEAT, SKODA (VW AG)



Article No.	Article Description	QTY	Pic	OEM-No.	Vehicle-Application
3040 1587	MOUNTING SIDEBAR 1587	z 50	180	7L0839069	VW Touareg: bar
3040 1588	INNER LINING CLIP 1588	gf 100	181	8E0837485C	Audi A4: upholstery
3040 1602	INNER LINING CLIP 1602	gf 100	182	5X0867299	VW Fox: upholstery
3040 1603	INNER LINING CLIP 1603	gf 100	183	7L6868243	VW Touareg: upholstery
3040 1054	INNER LINING CLIP 1054	fH 300	184	N90541701	var.models: inner lining
3040 1623	PREDECTIVE CAP OIL PAN 1623	gf 100	185	4F0805121	Audi, VW var.models: oil pan
3040 1624	INNER LINING CLIP 1624	gf 100	186	6Q0868243	VW Polo 2002, Golf V, Touran, Phaeton: upholstery
3040 1625	MOUNT. INSULATION BONNET 1625	gf 100	187	8E0863727A	Audi A4/A6: Insulation motor bonnet
3040 1626	DOOR UPHOLSTERY CLIP 1626	gf 100	188	6L6853575A	Seat Altea, Ibiza from 06, Toledo: upholstery
3040 1627	WIND.LIFTER HOLDER BACK R 1627	1	189*		Seat Toledo from 04: window lifter right
3040 1628	WIND.LIFTER HOLDER BACK L 1628	1	190*		Seat Toledo from 04: window lifter left
3040 1683	SET WINDOW LIFTER FRONT R 1683	1	191*		VW Golf IV: front window lifter right
3040 1684	SET WINDOW LIFTER FRONT L 1684	1	192*		VW Golf IV: front window lifter left

Fixing Parts AUDI, VW, SEAT, SKODA (VW AG)



Article No.	Article Description	QTY	Pic	OEM-No.	Vehicle-Application
3040 1685	WIND.LIFTER HOLDER BACK R 1685	1	193*		VW Golf IV: behind window lifter right
3040 1686	WIND.LIFTER HOLDER BACK L 1686	1	194*		VW Golf IV: behind window lifter left
3040 1706	INNER LINING CLIP 1706	gf 100	196	3C0867333	VW Golf Plus, Golf Varian 4 from 07, Passat from 07
3040 1738	MOUNTING DOOR SEALING 1738	gf 100	197	3B0839723	Skoda Superb from 02, VW Passat from 97: door sealant
3040 1761	PUMPS WINDS.WASHER SYSTEM 1761	1	198*	1J6955651	A3/A6, Seat Alhambra from 01-06, Arosa, Ibiza, Skoda Fabia, Octavia, VW Bora, Golf 4, Polo 03, Passat from 97-00, Lupo
3040 1762	PUMPS WINDS.WASHER SYSTEM 1762	1	199*	4A0955651A	Audi 80/90/100/A4/A6/A8, Cabrio, S6 Quattro: pump
3040 1763	PUMPS WINDS.WASHER SYSTEM 1763	1	200*		Skoda Fabia 6Y2/JY3, Octavia 1U2-5, Superb 3U4: pump
3040 1772	PUMPS WINDS.WASHER SYSTEM 1772	1	201*	1H6955651	Seat Alhambra, Córdoba, Ibiza, Inca, VW Golf III, Passat, Polo, Sharan, Transporter
3040 1773	PUMPS WINDS.WASHER SYSTEM 1773	1	202*		VW Passat, Polo, Transporter LT (see Mercedes, Opel)
3040 1774	PUMPS WINDS.WASHER SYSTEM 1774	1	203*		Seat Alhambra, Ibiza from year 93, Inca from year 96, VW Caddy from year 96, Corrado, Golf II, Golf III, Passat 3/4, Polo
3040 1780	PUMPS WINDS.WASHER SYSTEM 1780	1	204*	1L0955651	Seat Alhambra, Córdoba, Ibiza, Toledo, Skoda Octavia from year 04, VW Sharan, Golf
3040 1781	PUMPS WINDS.WASHER SYSTEM 1781	1	205*	1K5955651	Seat Alhambra, Córdoba, Ibiza, Inca, León, Toledo, Skoda Octavia from 04, VW Golf, Passat 4 from 96-05,

Fixing Parts AUDI, VW, SEAT, SKODA (VW AG)



206



207



208



209



210



211



212



213



214



215



216



217



218



219



220



221

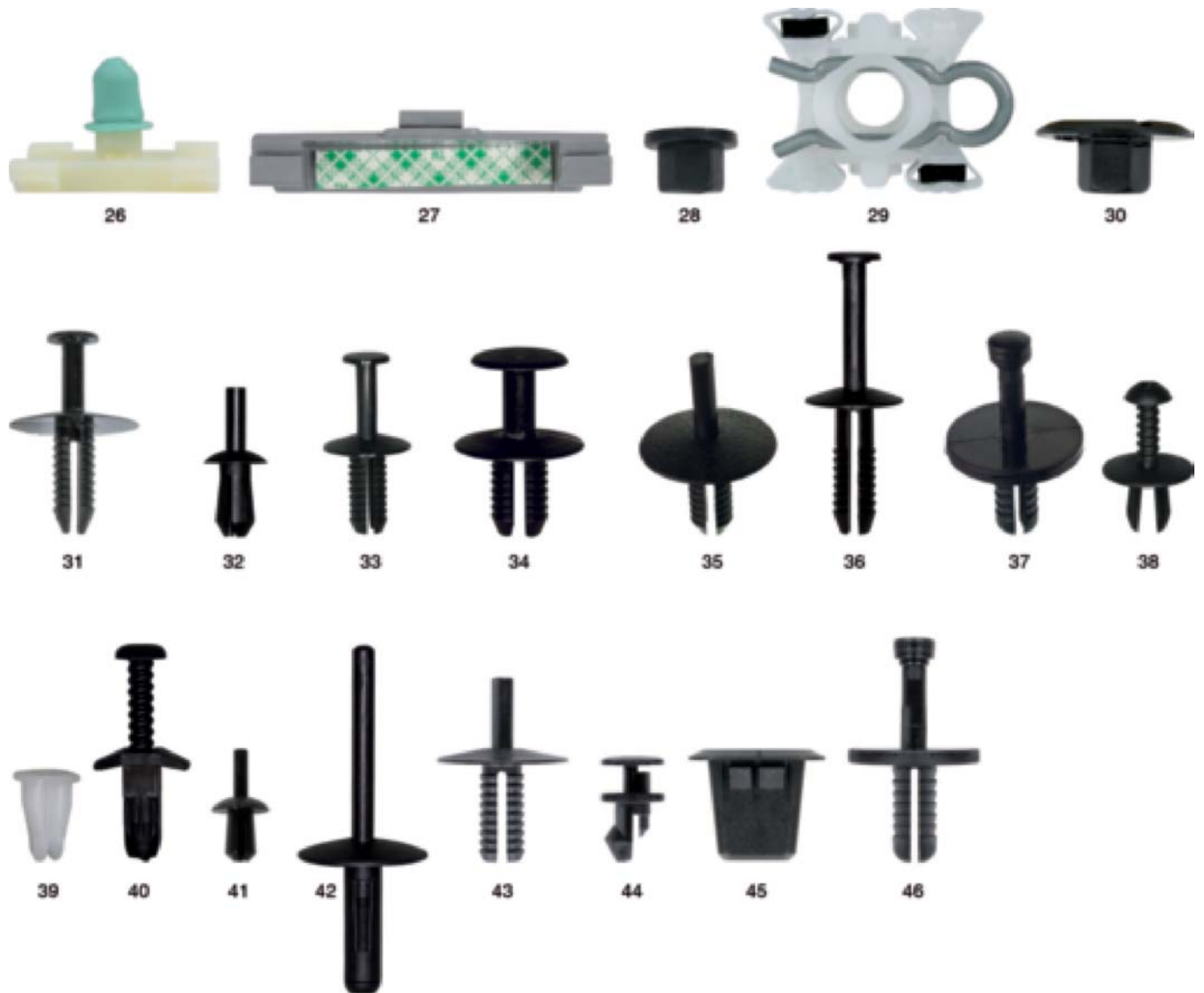
Article No.	Article Description	QTY	Pic	OEM-No.	Vehicle-Application
3040 1789	SIDEBAR CLAMP 1789	gf 100	206	BD59039600	Seat 600/850: sidebar clips
3040 1793	FENDER NUT 6.3 MM 1793	gf 100	207	N0120622	VW Golf, Polo from 95: fender screws
3040 1802	SHEET NUTS UNI. 4.8 16.2X19X11	fH 300	208	N0154581	VAG Universal sheet nut
3040 1807	SHEET NUTS M6 16X24 1807	fH 300	209	N90168602	VW Golf, Polo 95 Universal sheet nut
3040 1808	SHEET NUTS UNIVER. 4.8X15X16X9	fH 300	210	N0154452	VAG Universal sheet nut
3040 1811	SCREW BUMPER 1811	z 50	211	8E0805121A	Audi A4/A6: bumper bar
3040 1820	SHEET NUTS UNI.4.2X11X16.2X7.5	fH 300	212	N0154222, N0154291	Seat Leon from 2004
3040 1821	SHEET NU.UNI.4.2X12.5X16.5X9.5	fH 300	213	N0154391	Seat Leon from 2004
3040 1822	SHEET NUTS UNI.4.8X11.2X16.5X9	fH 300	214	N0154373	Audi A2: wheel housing
3040 1824	SHEET NUTS UNIV. 4.2X11X13X6.5	fH 300	215	N90825101	Seat Leon from 2004: front spoiler
3040 1827	SHEET NUTS UNI.4.2X12X16.2X8.5	fH 300	216	N90698701, N90698703	Audi, VW var.models
3040 1834	COUNTING FRONT AIR DAM 1834	gf 100	217	N10305502	VW Golf IV: front spoiler
3040 1839	SCREW 5X16 1839	gf 100	218	N10354601	Audi, VW var.models
3040 1841	PREDE. CAP MOTOR OIL PAN 1841	gf 100	219	4A0805137A	Audi 80/100/A6/A8: motor oil pan
3040 1847	BREAK LINE CLIP 4.75-5.00MM	g 50	220	811611797	Audi, VW var.models
3040 1848	CABLE TIE 10X200MM F. M5 ATTA.	100	221	N90643701	Audi, VW var.models

Fixing Parts BMW, MINI



Article No.	Article Description	QTY	Pic	OEM-No.	Vehicle-Application
1302 48 16	COM.SH.MET.SCR.W.WASH.ZN4.8X16	HR 500	1	07119916946, 07119901294	var. models
1302 48 16 1	SHEET META.SREW+WASH.BL.4.8X16	HR 500	2	07147129160	var. models
1302 48 19	COM.SH.MET.SCR.W.WASH.ZN4.8X19	HR 500	3	07119916949	var. models
1302 63 19	SHEET MET.SCR.W.WASH.ZN 6.3X19	HR 500	4	07119916967	var. models
2290 42	SHEET-MET.NUT 4.2 16.50X11.20	H 300	5	07129925709, 07129901644	var. models
2290 48	SHEET-MET.NUT 4.8 16.00X14.50	H 300	6	07129925713, 07129901649	var. models
2290 48 1	SHEET-MET.NUT 4.8 16.50X11.30	H 300	7	07129925712	var. models
2290 48 2	SHEET-MET.NUT 4.8 18.25X16.00	H 300	8	07129925737, 07129901651	var. models
2290 48 3	SHEET-MET.NUT 4.8 20.00X12.00	H 300	9	07129925738, 07129901654	var. models
2290 56	SHEET-MET.NUT 5.6 20.20X13.30	H 300	10	07129925720	var. models
2290 65	SHEET-MET.NUT 6.5 25.20X16.20	H 300	11		var. models
3040 1023	UPHOLSTERY CLIP ZI FLAT	gf 100	12	51416654189	var. models
3040 1033	INNER LINING CLIP 1033	gf 100	13	51411973500	var. models
3040 1034	FIR TREE CLIP 20X2.5X20 1034	gf 100	14	51471904317	E23/E24/E28
3040 1035	INNER LINING CLIP 1035	gf 100	15	51411870718	E12/E23/E24/E28
3040 1036	MOULDING CLIP W.GROMMET YELLOW	gf 100	16	51131960054	E36/E46: moulding
3040 1037	WINDOW COVER E34 SPREAD RIVET	gf 100	17	51711928946	E32/E34: screen
3040 1039	MOULDING CLIP DOOR PROT.STRIPS	gf 100	18	51131946258	E34: moulding
3040 1040	PLASTIC CLIP FOR GRILL	gf 100	19	51718108613	E31/E36: decorative grid
3040 1041	INNER LINING CLIP 1041	gf 100	20	07147145753	var. models
3040 1042	HEADLAMP SETTING CLIP TWO	1	21+	63120027924	var. models: headlight
3040 1053	MOULDING CLIP COVER.1053	gf 100	22	51471840961	E21/E23/E30/E36: moulding
3040 1022	INNER LINING CLIP 1022	gf 100	23		var. models: inner lining
3040 1192	CABLE FIXING	z 50	24		var. models: cable
3040 1194	MOUNTING CLIP WHEEL HOUSING	fH 300	25		var. models: wheel housing

Fixing Parts BMW, MINI



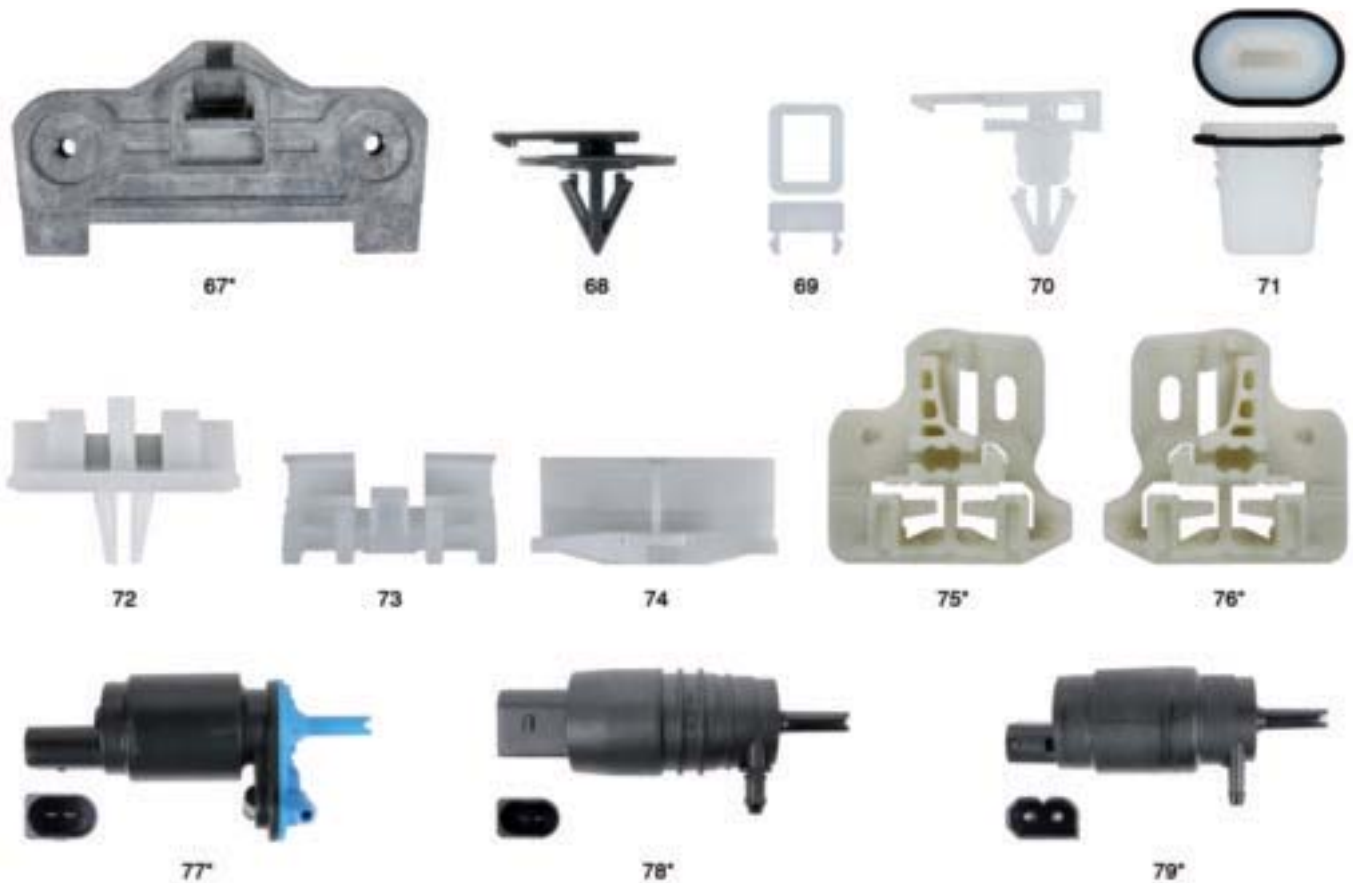
Article No.	Article Description	QTY	Pic	OEM-No.	Vehicle-Application
3040 1200	MOULDING CLIP YELLOW	z 50	26	51138166675	E38: moulding
3040 1201	MOUNTING WIPER BLADES	gf 100	27	51311938494	E34: screen
3040 1203	MOUNTING LINING 6MM	fH 300	28	16131176747	BMW, MINI var. models
3040 1246	MOUNTING WINDOW LIFTER	z 50	29	51321938884	E34/E36/M40: screen
3040 1297	MOUNTING NUT WHEEL HOUSING	fH 300	30	51711958025	BMW var. models: wheel housing
3040 3011	EXP.RIV.W.CAP PLAST.6.5X17 B20	gf 100	31	51118174185	E38/E39
3040 3014	EXP.RIVET PLAST. 5.0X11.5 B10	gf 100	32	51161881149	E12/E23/E24/E28/E30
3040 3016	EXP.RIV.W.CAP PLAST.6.5X15 B15	gf 100	33	51111908077	E30/E32/E36
3040 3023	EXP.RIV.W.CAP PLAST.8.7X14 B20	gf 100	34	51471911992	E30/E34/E36/E38/E39
3040 3024	EX.RI.WIT.CAP PLAST.6.5X15 B20	gf 100	35	51111944537	E34/E36/E38
3040 3025	EXP.RIV.W.CAP PLST.6.5X20 B15	gf 100	36	51111964186	E30
3040 3026	EXP.RIV.W.CAP PLST.6.5X15 B20	gf 100	37	51481884779	E28/E30/E39
3040 3027	SCREW RIVET 6.3X11.3	gf 100	38		E31/E32/E34/E36: wheel housing
3040 3029	PLASTIC SPREAD NUT TRANSPARENT	gf 100	39	63171367868	BMW var. models
3040 3036	SCREW RIVET 5.9X5.6X15	gf 100	40	51131885399	E12
3040 3046	EXPAND.RIVET PLASTIC 3.5X8X7	fH 300	41		BMW var. models
3040 4005	PLASTIC RIVETS 6.0X19.3MM	w 100	42	51717002953	E90/E91/X3/X5/X6/Z4
3040 1453	EXPANDING RIVET 6X20X14 1454	gf 100	43	51111944537	E36/E46/E34/E39/E38/X3 E83/E83N/X5 E53/Z3/Z8
3040 1455	EXPAN. RIVET 5.5X10X12X10 1455	gf 100	44	51711928946	S 5 E34, Series 7 E32/Z1: windscreen wiper
3040 1457	EXPAN.NUTS PLASTIC 6X15 1457	gf 100	45	51138102952	S 5 E34
3040 1461	EXPANDING RIVET 6X20X14 1461	gf 100	46	51481884779	S 3 E30, S 5 E28

Fixing Parts BMW, MINI



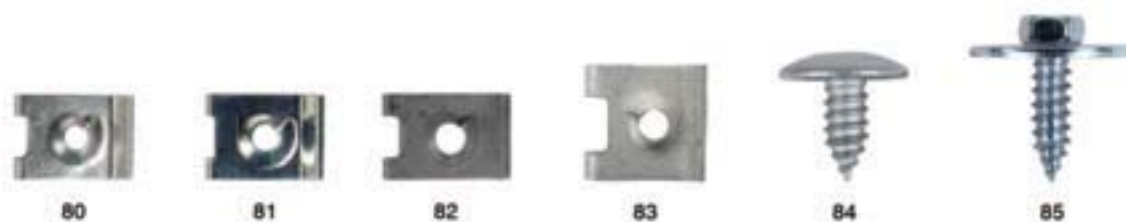
Article No.	Article Description	QTY	Pic	OEM-No.	Vehicle-Application
3040 1462	EXPAND. RIVET 6.5X19X8.6 1462	gf 100	47	51481938725	E30/E34/E39/E32/E38/E65/E66/E67/E68/Z3
3040 1476	MOUNTING STRIP DOOR SILL 1476	gf 100	48	51718184574	S 3 E36/E46
3040 1479	EXP. RIVET 7X11X18X13 1479	gf 100	49	51718195811	S 3 E36, Serie 7 E38, Z3: screen
3040 1480	SCREW RIVET 7X19.5X16 1480	gf 100	50	51218205295	S 5 E39, X5 E53: screen
3040 1533	COVERING TUBE F. NUT 1533	gf 100	51	16131176747	S 1 E87, S 3 E35/E46/E90/E91, S 5 E34/E39/E60/E61, 003990251 S 7 E65/E66/E67/E68, X3, X5 E53, Mini
3040 1534	MOULDING STRIP CLAMP 1534	z 50	52	51132251394	S 3 E36: moulding
3040 1535	MOUNTING GROMMET STRIP 1535	fH 300	53	51131960127	S 3 E36/E46, Series 5 E39, Series 7 E38: screen
3040 1565	STRIP WINDSCREEN 1565	gf 100	54	51137145109	S 3: screen
3040 1566	STRIP RIGHT WINDSCREEN 1566	z 50	55	51137172103	S 3: moulding right
3040 1574	MOUNTING PLUG STRIP 1574	gf 100	57	51711932996	S 1 E87/S 3 E46/E90/E91/E92/S 5 E60/E61/S 7 E65/E66/E67/X3 E83/N
3040 1597	MOUNTING WHEEL CASE 1597	gf 100	58	51161943122	S 1 E87/S 3 E36/E46/E90/E91/E92/S 5 E34/E60/E61, Mini R56
3040 1598	MOUNTING WHEEL CASE 1598	gf 100	59		S 1 E87, S 3 E36/E46/E90/E91/E92, S 7 E65/E66/E67, X3 E53, Z3, Z4
3040 1599	STRIP WINDSCREEN 1599	gf 100	60	51317064098	S 5 E60/E61: windscreen
3040 1635	WINDOW LIFTER HOLDER R 1635	1	61*		S 3 E46: right window lifter in the front
3040 1636	WINDOW LIFTER HOLDER L 1636	1	62*		S 3 E46: left window lifter in the front
3040 1637	WIND.LIFTER HOLDER BACK R 1637	1	63*		S 3 E46: right window lifter in the back
3040 1638	WIND.LIFTER HOLDER BACK L 1638	1	64*		S 3 E46: left window lifter in the back
3040 1054	INNER LINING CLIP 1054	fH 300	65	51498123832	var. models: inner lining
3040 1851	INNER LINING CLIP 1851	gf 100	66	51478244458	F20/E46/E90/E90N/E91/E93/E93N/F30/E60/E60N/E61/E61N/F07/F06

Fixing Parts BMW, MINI



Article No.	Article Description	QTY	Pic	OEM-No.	Vehicle-Application
3040 1639	WIND.LIFTER HOLDER BACK 1639	1	67*		S 5 E39: right/left window lifter in the back
3040 1691	MOUNTING WHEEL CASE 1691	gf 100	68	07131480418	Mini R50/R52/R53/R56: wheel housing
3040 1692	MOUNTING WHEEL CASE FRONT 1692	gf 100	69	07137036160	Mini R50/R52/R53: wheel housing
3040 1693	MOUNTING STRIP BONNET 1693	z 50	70	07137036159	Mini R50/R52/R53: motor bonnet
3040 1696	MOUNTING STRIP WINDSCREEN 1696	100	71	51137127001	Mini R52: sidebar windscreen
3040 1707	MOUNTING STRIP WINDSCREEN 1707	gf 100	72	71149537	Mini: moulding windscreen
3040 1708	MOUNTING STRIP WINDSCREEN 1708	gf 100	73	51317046633	Mini: moulding windscreen
3040 1709	MOUNTING STRIP WINDSCREEN 1709	gf 100	74	51317111933	Mini: moulding windscreen
3040 1710	WINDOW LIFTER HOLDER R 1710	1	75*		X5: right window lifter
3040 1711	WINDOW LIFTER HOLDER L 1711	1	76*		X5L: left window lifter
3040 1761	PUMPS WINDS.WASHER SYSTEM 1761	1	77*		E36, Z3 Coupe: Pumpe, BMW var. models
3040 1763	PUMPS WINDS.WASHER SYSTEM 1763	1	78*	67128362154	3-E36 Bj.11/97, E46/X3 E83/E83N, X5 E53/Z3/Z4
3040 1764	PUMPS WINDS.WASHER SYSTEM 1764	1	79*	61661380068	3-E36 Bj.11/97, Serie 5 E34/Z1/Z3: pump

Fixing Parts BMW, MINI



Article No.	Article Description	QTY	Pic	OEM-No.	Vehicle-Application
3040 1801	SHEET NUTS UNI.3.9 11.2X16.5X8	fH 300	80	07129925726	universal sheet nut
3040 1804	SHEET NUTS UNI.4.2 11X15.5X7.5	fH 300	81	07129925708	universal sheet nut
3040 1805	SHEET NUTS UNIV. 4.8X11X16X8.5	fH 300	82	07129925712	universal sheet nut
3040 1808	SHEET NUTS UNIVER. 4.8X15X16X9	fH 300	83	07129901649, 07129925713	universal sheet nut
3040 1823	SCREW 6.3X14 1823	gf 100	84	41358152737	var. models
3040 1825	SCREW 5.5X19 WASHER 22 1825	gf 100	85		var. models

Fixing Parts CITROEN, PEUGEOT (PSA)



Article No.	Article Description	QTY	Pic	OEM-No.	Vehicle-Application
3040 1059	ALUMINIUM BLIND RIVET 7.5X28	z 50	1	6973A4	CITROEN, PEUGEOT, var. models
3040 1087	INNER LINING CLIP 1067		3	699251	CITROEN, PEUGEOT, var. models: door lining
3040 1095	FIR TREE CLIP BL 7X19X11 1095	fH 300	4	699266	CIT., PEUG., var.models: inner lining
3040 1096	FIR TREE CLIP 7X12.5X17.5 1096	fH 300	5	699515	CIT., PEUG., var.models:inner lining
3040 1107	EXP. RIVET PLAS.6.2X12X9 1107	fH 300	6		CIT., PEUG., var.models:kettle grill
3040 1124	INNER LINING CLIP 1124	fH 300	7	699502	CIT., PEUG., var.models: inner lining
3040 1127	GROMMET WHITE	fH 300	8		PEUG., var.models
3040 1131	INNER LINING CLIP 1131	fH 300	9	699282	CIT., PEUG., var.models: inner lining
3040 1133	GROMMET BLACK	fH 300	10	856517	CIT., PEUG., var.models
3040 1144	HEADLIGHT-SETTING 50MM	fH 300	11*	622479	CIT. ZX, Saxo, PEUG. 107

Fixing Parts CITROEN, PEUGEOT (PSA)



Article No.	Article Description	QTY	Pic	OEM-No.	Vehicle-Application
3040 1148	INNER LINING CLIP 1148	1	12	699645	PEUG. 405
3040 1149	INNER LINING CLIP 1149	fH 300	13	6995N7	CIT., PEUG., var.models:inner lining
3040 1151	REAR BUMPER SCREW BLACK M6X19	fH 300	14	742723	CIT., PEUG., var.models: rear bumper
3040 1153	HEADLIGHT-SETTING 35MM	z 50	15*	96090463	CIT. ZX, Saxo, PEUG. 107: headlight
3040 1157	MOUNTING DOOR-LOCK 1	1	16		CIT., PEUG., var.models: door frames
3040 1158	MOUNTING DOOR-LOCK 2	z 50	17		CIT., PEUG., var.models: door frames
3040 1160	MOUNTING TAILGATE	fH 300	19	699050	CIT., PEUG.,var.models: tailgate
3040 1161	MOUNTING MOULDING BLACK	fH 300	20	856535	CIT., PEUG., var.models: moulding
3040 1162	MOUNTING MOULDING WHITE	fH 300	21	6995X3	PEUG. 206/806: moulding
3040 1167	MOUNTING STRIP BONNET	fH 300	22	6992P3	CIT., PEUG., var.models: bonnet
3040 1168	MOULDING CLAMP 1168	gf 100	23	856534	CIT., PEUG., var.models: moulding
3040 1171	MOUNTING HEADLIGHT-SLEEVE	fH 300	24	622481	CIT., PEUG., var.models: headlight
3040 1175	MOUNTING CLIP BLACK GLASS	z 50	25	922723	CIT., PEUG., var.models: screen
3040 1176	MOUNTING CLIP WHITE GLASS	z 50	26	699993	CIT., PEUG., var.models: screen
3040 1185	MOUNTING STRIP	z 50	27	856520	PEUG. 306/806: moulding
3040 1198	FIR TREE CLIP BL 7X20X18 1198	gf 100	28	696640	CIT., PEUG.,var.models: inner lining
3040 1199	INNER LINING CLIP 1199	fH 300	29	9699575280	CIT., PEUG., var.models: inner lining

Fixing Parts CITROEN, PEUGEOT (PSA)



Article No.	Article Description	QTY	Pic	OEM-No.	Vehicle-Application
3040 1208	MOUNTING DOOR LINING 1208	gf 100	30	856540	CIT., PEUG., var.models: door lining
3040 1213	INNER LINING CLIP 1213	fH 300	31	696639	CIT., PEUG., var.models
3040 1214	MOUNTING DOOR LINING	fH 300	32	6995Y5	CIT., PEUG., var.models: inner lining
3040 1218	MOUNTING DOOR LINING YELLOW	fH 300	34	6991F6	CIT. Xsara: door lining
3040 1230	MOUNTING HEADLIGHT	fH 300	35	781326	CIT., PEUG., var.models: headlight
3040 1232	MOUNTING SOUND INSUL.BONNET	z 50	36	6995V6	PEUG. 307: bonnet
3040 1249	MOUNTING SEAL.DOOR/BONNET	fH 300	37	699786	CIT., PEUG., var.models:lining
3040 1251	MOUNTING DOOR LINING 1251	fH 300	38	696633	CIT., PEUG., var.models:door
3040 1259	EXPANDING RIVET 8.5X20X1 1259	fH 300	39	7013J0	CIT., PEUG., var.models:wheel housing
3040 1276	FIR TREE CLIP BL7.5X19X21 1276	fH 300	40	896477	CIT., PEUG., var.models: inner lining
3040 1278	MOUNTING LINING TAILGATE	fH 300	41	6991T3	CIT., PEUG., var.models: tailgate
3040 1301	FIR TREE CLIP BL6.5X20X12 1301	fH 300	42	6992C6	CIT., 1X, Xantia, C15, PEUG. 106/306/607
3040 1320	FIR TREE CLIP 14X2X15 1320	fH 300	43	8964.57	CIT. Picasso, Berlingo, PEUG. 106/306/307/405/6
3040 1321	FIR TREE CLIP 12.5X2X17.5 1321	gf 100	44	6995.15	CIT. ZX, Saxo, PEUG. 106/306, Phase 2
3040 1322	COVER PLUG BLACK 11.8X2X18.5	gf 100	45	8326.N4	CIT., PEUG. 205 GTI, 806
3040 1323	COVER PLUG 11.95X1.75X10	gf 100	46	6992.K8	CIT., PEUG., var.models
3040 1324	INNER LINING CLIP 1324	gf 100	47	6995.A3	CIT., PEUG., var.models: inner lining
3040 1325	INNER LINING CLIP TRANSP.1325	gf 100	48	6991.S6	CIT., PEUG. 106/405/406/806
3040 1326	INNER LINING CLIP TRANSP.1326	gf 100	49	6991.E8	CIT., PEUG. 206/306, Phase 2
3040 1327	SCREW M6X20 SW10 SILVER	gf 100	50	6974.04	CIT., PEUG., var.models
3040 1328	COVER PLUG BLACK 18.0X1.75X17	gf 100	51	699295	CIT., PEUG. 106/306/405/605/806
3040 1329	MOUNTING CLIP TRANSP.SEAL.WAS.	gf 100	52	812396	CIT., PEUG., var.models: inner lining

Fixing Parts CITROEN, PEUGEOT (PSA)



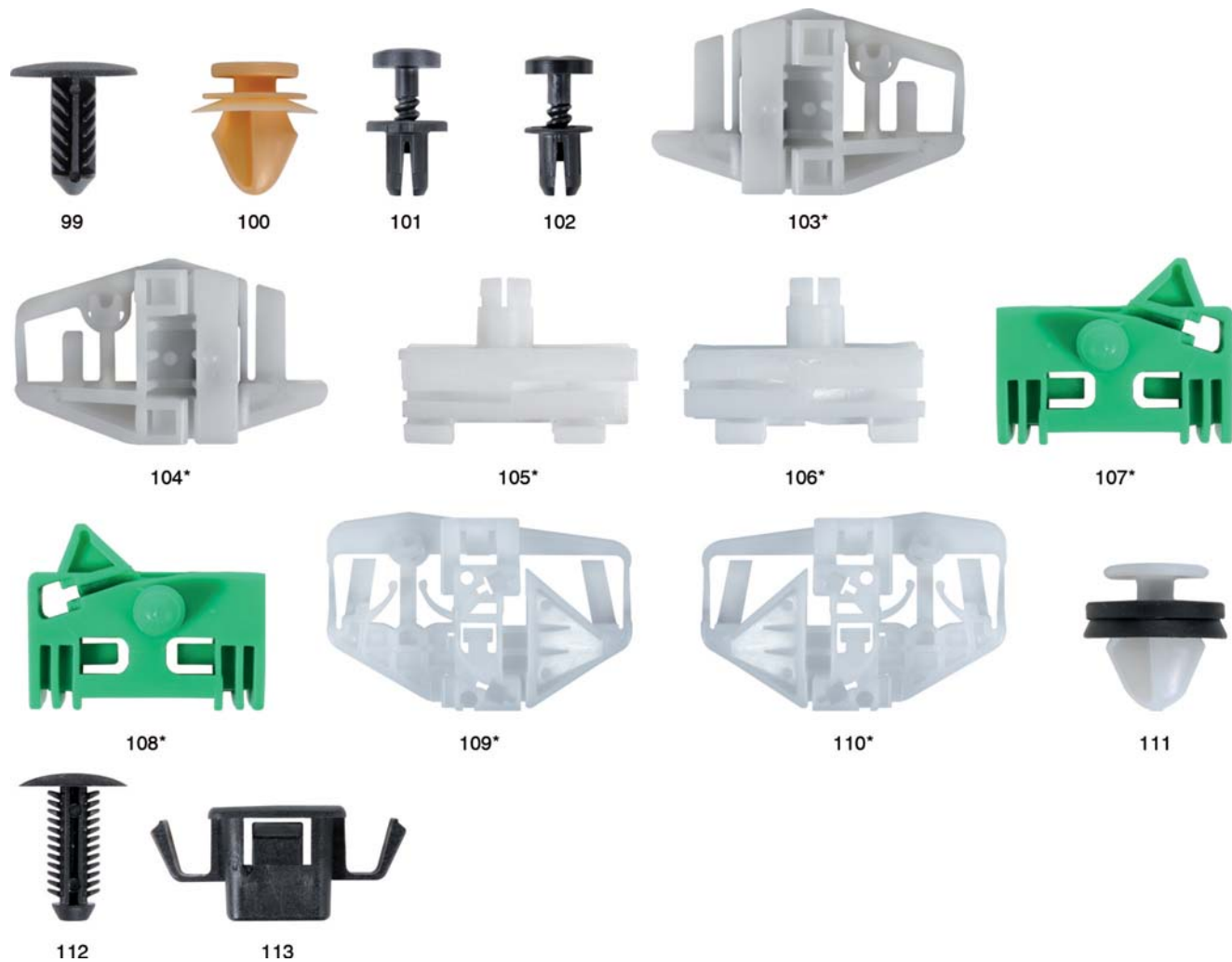
Article No.	Article Description	QTY	Pic	OEM-No.	Vehicle-Application
3040 1335	ROTATIONAL FASTENER GEOMET 1335	gf 100	53	7030.16	CIT. Berlingo, PEUG. 207/807, Expert, Partner
3040 1336	CLAMP F.ROTAT.FASTENER 1336	fh 300	54	7030.18	CIT. Berlingo, PEUG. 207/807, Expert, Partner
3040 1337	MOUNTING DOOR LINING 1337	fh 300	55	699293	CIT., PEUG., var.models: door lining
3040 1338	MOUNTING LOGO HINGE 1338	fh 300	56	904444	CIT., PEUG., var.models: company logo
3040 1347	EXPAN.NUTS PLASTIC 7X13 1347	gf 100	57	6992G2	CIT., PEUG., var.models
3040 1355	MOUNTING STRIP 1355	fh 300	58	95667895	CIT. BX, ZX, Xantia, Berlingo
3040 1363	MOUN. BUMPER MOULD. CLAMP 1363	gf 100	59	743707	CIT. BX, C3, Xsara, Picasso, PEUG. 205
3040 1364	FIR TREE CLIP WS 8X10X15 1364	gf 100	60	699231	PEUGEOT 205, 309: Inner lining
3040 1370	UPHOLSTERY-CLIP 1370	gf 100	61	6979C6, 6991W4	CIT. Berlingo, ZX, Xantia, PEUGEOT 307: Pad, tailgate
3040 1378	EXP.NUTS PLAS. 7X13X10X16 1378	gf 100	62	699280	CIT. ZX, Xantia, PEUGEOT 205/309/405/605
3040 1384	FIR TREE CLIP BL 7X22X25 1384	fh 300	63	698317	PEUG. 106/205/206/306/309/405/406/605
3040 1395	HEADLIGHT SETTING 1395	gf 100	64+*	95598693	CIT. C15: headlight
3040 1404	MOUNTING WINDOW LIFTER 1404	1	65		CIT. AX, Saxo, ZX, XM, PEUG. 106/306/406: window lifter
3040 1418	MOUNTING DOOR LINING 1418	gf 100	67	6992J4, 96048533	PEUG. 405/406/605/806: door lining
3040 1419	MOUNTING PULL ROD LOCK 1419	gf 100	68		PEUG., var.models:tie rod lock
3040 1420	MOUNTING PULL ROD LOCK 1420	gf 100	69	7903079144, 914714	CIT. AX, BX, ZX, XM, Xantia, PEUG. 106/205/206/306/309/405/406
3040 1426	FIR TREE CLIP WS 6X12X18 1426	gf 100	70	8326N4	CIT. Xantia: door lining
3040 1429	MOUNTING CLIP SIDE WINDOW 1429	z 50	71	922729	CIT. Jumper, PEUG. Boxer: side window
3040 1430	EXP.NUTS PLASTIC 6X6.5X10 1413	gf 100	72		CIT. Jumper, PEUG. Boxer: Inner lining
3040 1443	MOUNTING GRILLE 1443	gf 100	73	699587	CIT. Berlingo, PEUG. Partner, 306/806, Expert 1/2
3040 1450	MOUNTING BONNET 1450	gf 100	74*	013711	CIT., PEUG., var.models: motor bonnet
3040 1466	MOUNTING DOOR LINING 1466	gf 100	75	6991Y8	CIT. C3/C8, Berlingo, PEUG. 207/407/807, Partner, Expert 3
3040 1467	MOUNTING DOOR PULL ROD 1467	gf 100	76		CIT. C5, C5 Break, PEUG. 307

Fixing Parts CITROEN, PEUGEOT (PSA)



Article No.	Article Description	QTY	Pic	OEM-No.	Vehicle-Application
3040 1468	EXPANDING RIVET 8X20X13.5 1468	gf 100	77	6991X7	CIT. C2/C3/C4/C5/C6/C8, Xsara II, PEUG. 1007/207/407/807
3040 1496	MOUN. SIDE A. BACK WINDOW 1496	gf 100	78	922751	CIT., PEUG., var.models: screen
3040 1498	RAINCOVER STRIP BONNET 1498	z 50	79	871067	PEUG. 307/406: rain protection moulding
3040 1505	MOUNTING CLIP ROD BONNET 1505	ü 10	80	013723, 013768	CIT., PEUG., var.models: motor bonnet
3040 1513	EXPAN.NUTS PLASTIC 7X14 1513	gf 100	81	699796	PEUG. 308
3040 1541	EXPANDING RIVET 5.5X16X10 1541	gf 100	82		CIT. Jumpy: Inner lining
3040 1545	MOULDING CLAMP 1545	gf 100	83	856548	CIT. C4, PEUG. Expert 3, Jumpy: door lining
3040 1547	STRIP WINDSCREEN 1547	gf 100	84	812388	CIT. C2: moulding windscreen
3040 1548	STRIP WINDSCREEN 1548	gf 100	85*	812389	PEUG. 407: moulding windscreen
3040 1549	STRIP WINDSCREEN BOTTOM 1549	gf 100	86*	812390	PEUG. 407: moulding windscreen
3040 1550	STRIP WINDSCREEN BOTTOM 1550	gf 100	87	812391	PEUG. 407: moulding windscreen
3040 1551	SOCKETHOLDER WINDSCREEN 1551	z 50	88	812370	CIT. Berlingo from 97, Xantia from. 93, Xsara Picasso from.00, ZX, PEUGEOT Partner: windscreen
3040 1552	FIR TREE CLIP BL5.2X16X26 1552	gf 100	89	743710	CIT. C5, PEUG. 407: Motor bonnet
3040 1553	MOUNTING PULL ROD LOCK 1553	gf 100	90	914704	CIT. Berlingo, Xantia, PEUG. 306, Partner
3040 1555	MOUNTING DOOR FUSE 1555	gf 100	91	914721	CIT. C5, Xsara Picasso, PEUG. 206/306/406: door
3040 1556	MOUNTING ROD BONNET 1556	gf 100	92	6993A1	CIT. Xsara Picasso: Motor bonnet
3040 1558	INNER LINING CLIP 1558	gf 100	93	654720	CIT. Berlingo, C5, C15, Xsara Picasso, ZX, PEUG. Partner
3040 1578	MOUNTING STRIP WINDSCREEN 1578	z 50	94	811024	PEUG. 1007: Screen
3040 1579	EXPA.NUTS PLA. 10.8X11X16 1579	gf 100	95	699139	CIT. Berlingo, C3, C5, PEUGEOT 309/607, Partner
3040 1580	MOUNTING DOOR LINING 1580	z 50	96	8742G2	PEUG. 407/807
3040 1581	MOUNTING STRIP WINDSCREEN 1581	z 50	97	7473FL	CIT. C4 Picasso, PEUG. 407: Screen

Fixing Parts CITROEN, PEUGEOT (PSA)



Article No.	Article Description	QTY	Pic	OEM-No.	Vehicle-Application
3040 1583	FIR TREE CLIP BL6.5X18X17 1583	gf 100	99	7588VX	CIT. Berlingo, C3/C4, PEUG. 1007/307/407, Expert 3, Partner
3040 1596	MOUNTING DOOR LINING 1596	gf 100	100		PEUG. Expert III, Jumpy III: door lining
3040 1608	SCREW RIVET 6X12X9 1608	gf 100	101		CIT. C3/C4/C5/C8, Peugeot 307/607/807
3040 1609	SCREW RIVET 6.2X10X9 1609	gf 100	102		CIT. C3/C4/C5/C8, PEUG. 307/607/807
3040 1663	WIND.LIFTER HOLD. FRONT R 1663	1	103*		PEUG. 206: Right window lifter in the front
3040 1664	WIND.LIFTER HOLD. FRONT L 1664	1	104*		PEUG. 206: left window lifter in the front
3040 1669	WIND.LIFTER HOLD. FRONT R 1669	1	105*		PEUG. 106: right window lifter in the front
3040 1670	WIND.LIFTER HOLD. FRONT L 1670	1	106*		PEUG. 106: left window lifter in the front
3040 1671	WIND.LIFTER HOLD. FRONT R 1671	1	107*		PEUG. 306: righth window lifter in the front
3040 1672	WIND.LIFTER HOLD. FRONT L 1672	1	108*		PEUG. 306: left window lifter in the front
3040 1673	WINDOW LIFTER HOLDER R 1673	1	109*		CIT. Berlingo, PEUG. Partner: window lifter right
3040 1674	WINDOW LIFTER HOLDER R 1674	1	110*		CIT. Berlingo, PEUG. Partner: window lifter left
3040 1675	MOUNTING DOOR LINING 1675	gf 100	111	9341PF	PEUG. 307/308/407: Seat covers, tailgate a. rear mirror door lining
3040 1694	FIR TREE CLIP BL 7X16X20 1694	gf 100	112	699278	CIT. Berlingo, PEUG. 206/308/405/806, Partner
3040 1695	MOUNTING BUMPER FRONT 1695	z 50	113	6995N4	CIT. Berlingo, PEUG. Partner, 306/1007: Bumper front, grid wind protection

Fixing Parts CITROEN, PEUGEOT (PSA)



114



115



116



117



118*



119*



120*



121*

Article No.	Article Description	QTY	Pic	OEM-No.	Vehicle-Application
3040 1727	BEF.WINDSCHUTZSCHEIBE 1727	z 50	114	8123.98	CIT. C5 III from 08: windscreen
3040 1751	RUBBER BUFFER BONNET 1751	z 50	115	7908.67	CIT. Berlingo, C5, Xsara Picasso, PEUG. 106/206/306/306, Partner
3040 1756	INJEC.NOZZLE WIPER SYSTEM 1756	ü 10	116	643871	CIT. Saxo, PEUG. 106/205/306/309: spray nozzle
3040 1757	INJEC.NOZZLE WIPER SYSTEM 1757	ü 10	117	96084939	CIT. ZX, Xantia, Berlingo: spray nozzle windscreen wiper unit
3040 1765	PUMPS WINDS.WASHER SYSTEM 1765	1	118*	6434.46	CIT. AX, Berlingo, BX, C-15, Jumpy, PEUG. 106/205/305/309/405
3040 1766	PUMPS WINDS.WASHER SYSTEM 1766	1	119*	6434.58	CIT. AX, Berlingo, Jumpy, Xantia, XM, ZX, PEUGEOT 106/206/306/406/605, Expert 1/2, Partner: Pump
3040 1767	PUMPS WINDS.WASHER SYSTEM 1767	1	120*	6434.60	CIT. AX, Berlingo, Evasion, Saxo, Xantia, Xsara, ZX, PEUG. 106/206, 306/406/806, Partner: Pump
3040 1768	PUMPS WINDS.WASHER SYSTEM 1768	1	121*	6434.75	CIT. Berlingo from 02, C2/C4/C5, Picasso, Saxo, Xsara, PEUG. 1007/207/307/308/807, Partner, Expert: Pump

Fixing Parts CITROEN, PEUGEOT (PSA)



Article No.	Article Description	QTY	Pic	OEM-No.	Vehicle-Application
3040 1778	PUMPS WINDS.WASHER SYSTEM 1778	1	122*	6434.70	CIT. C3, Evasion, PEUG. 106, Partner: Pump
3040 1790	MOUN. SPRING WINDOW CRANK 1790	gf 100	123	75429475	CIT. C15: window crank handle
3040 1812	SCREW 6X20 1812	gf 100	124	6924.C1	PEUG. 307/407Y/1007/207/308/406, Partner
3040 1813	SCREW 6X20 1813	gf 100	125	7427.23	CIT. C4, Evasion, Xsara, PEUG. 1007/206/307, Partner
3040 1814	SCREW M6X25 WASHER 18 1814	gf 100	126	6922.H3	PEUG. 106/306/308/406/407/607, Partner: mudguards, bumper
3040 1817	SCREW M6X18 WASHER 18 1817	gf 100	127	6922.54	CIT., PEUG., var. models
3040 1837	SCREW 4.5X19 WASHER 16 1837	gf 100	128	6925N0	CIT., PEUG., var.models
3040 1842	MOUNTING MOTOR PRETECTION 1842	gf 100	129	703017	CIT., PEUG., var.models
3040 3037	SPREAD NUT PLASTIC 7X9.5 3037	fH 300	130	6987A7	CIT., PEUG., var.models
3040 3043	EXPAND.RIVET PLASTIC 8.5X16X13	fH 300	131	697334	CIT., PEUG., var.models
3040 3046	EXPAND.RIVET PLASTIC 3.5X8X7	fH 300	132	697207	var.models
3040 3047	EXPAND.RIVET PLAS.5.5X9.4X10.8	fH 300	133	7903072170	CIT., PEUG. 205
3040 3057	EXP.RIVET PLASTIC 6.4X14 B22	fH 300	134	699783	CIT., PEUG., var.models
3040 3070	EXP.RIV.W.CAP PLST.8.0X14 B20	gf 100	135	9642874480	CIT., PEUG., var.models
3040 3071	EXP.RIV.W.CAP PLST.8.0X9.4 B20	gf 100	136	7813.24	CIT., PEUG., var.models
3040 3072	EXP.RIV.W.CAP PLST.4.5X11 B15	gf 100	137	Z000327504	CIT., PEUG., var.models
3040 3073	EXP.RIVET PLAST. 5.8X10.0 B13	gf 100	138	697202	CIT., PEUG., var.models
3040 3074	EXP.RIV.W.CAP PLST.8.0X13 B20	gf 100	139	9648975680, 856553	CIT., PEUG., 207, 307, 308, 407, 1007, Expert
3040 3075	SCREW RIVET 6.2X9.5	gf 100	140	9633388780	CIT. C3, Xsara II, C4/C5, Picasso, C8, Berlingo, PEUG.
3040 3076	SCREW RIVET 5.05X5.25X11.7	gf 100	141	9630090980	CIT. C3/C4/C5/C8, PEUG. 307/607/807
3040 3077	EXP.RIVET PLAST. 3.9X8.5 B8	gf 100	142	697224	CIT. Xsara, PEUG. 206/306/406
3040 3078	SCREW RIVET 5.8X14.2	gf 100	143	9613079480	CIT., PEUG., var.models

Fixing Parts CHEVROLET, DAEWOO (GM)



Article No.	Article Description	QTY	Pic	OEM-No.	Vehicle-Application
3040 1271	SCREW RIVET 10X20X25 1271	z 50	1	94530624	CHEVROLET, var. models: bumper
3040 1537	MOUNTING UPHOLSTERY CLIP 1537	gf 100	2	94530542	DAEWOO, var.models: upholstery
3040 1544	EXPANDING RIVET 8X16X11 1544	gf 100	3	94530507	DAEWOO, var. models
3040 1770	PUMPS WINDS.WASHER SYSTEM 1770	1	4*	3841066113	DAEWOO Lanos, Tico, Nexia Pump
3040 3061	SCREW RIVET PLASTIC 10X20X14	z 50	5	94530623	CHEVROLET, var.models: bumper

Fixing Parts FIAT, LANCIA, ALFA (FIAT GROUP)



Article No.	Article Description	QTY	Pic	OEM-No.	Vehicle-Application
2290 48 4	SHE.NUTS UNI.4.8 BL15.30X12.15	H 300	1	14368974	FIAT, var. models
2291 5 1	PLATE NUT M5 20.3X15.0X11.3	f 100	2	46473571	FIAT, var. models
2291 6 2	PLATE NUT M6 24.2X16.0X14.0	f 100	3	60811807	FIAT, var. Models
3040 1070	INNER LINING CLIP 1070	fH 300	4	14188380	FIAT, var. models: inner lining
3040 1098	INNER LINING CLIP 1098	fH 300	5	14116890	FIAT, var. models
3040 1101	MOULDING CLAMP	gf 100	6	7078732	FIAT, var. models: moulding
3040 1111	WHEEL HOUSING SCREW 6X17 1111	gf 100	7	10707524	FIAT, var. models: wheel housing
3040 1113	EXPAN.NUTS PLASTIC 8X11 1113	fH 300	9	14202383	FIAT, var. models: inner lining
3040 1119	MOUNTING DOOR LINING	fH 300	10	4399987	FIAT, var. models: door lining
3040 1130	FIR TREE CLIP BL 7X20X16 1130	fH 300	11	82412036	FIAT, var. models
3040 1186	MOUNTING DOOR/BONNET	fH 300	12	9605146380	FIAT, var. models: door, motor bonnet
3040 1189	EXPA.NUTS PLA. 7X15X10X18 1189	fH 300	13	7622606	LANCIA, Delta 93
3040 1245	MOULDING CLAMP LATERAL	gf 100	14	71728806	FIAT, var. models: moulding
3040 1332	MOULDING CLAMP GREY	gf 100	15	500326896	FIAT, var. models: moulding

Fixing Parts FIAT, LANCIA, ALFA (FIAT GROUP)



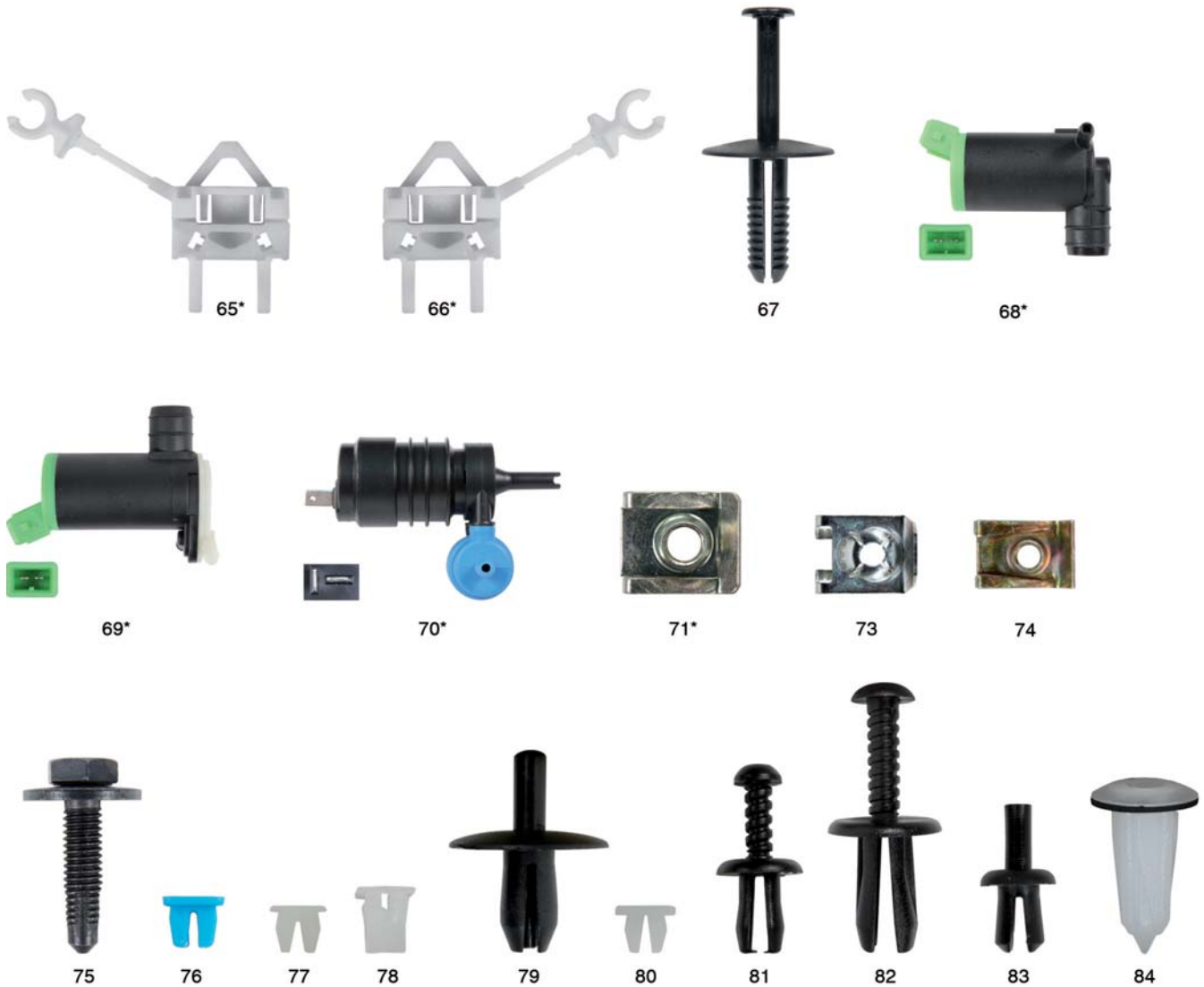
Article No.	Article Description	QTY	Pic	OEM-No.	Vehicle-Application
3040 1341	MOUNTING DOOR LINING 1341	fH 300	16	14188282	FIAT, var. models: door lining
3040 1342	MOUNTING DOOR LINING 1342	gf 100	17	7538675	FIAT Uno: door lining
3040 1344	MOUNTING DOOR LINING 1344	gf 100	18	7570122	FIAT, var. models: door lining
3040 1345	EXPAN.NUTS PLASTIC 8X11 1345	gf 100	19	14202782	FIAT, var. models: door lining
3040 1346	EXPAN.NUTS PLASTIC 10X14 1346	gf 100	20	14202985	FIAT, var. models: inner lining
3040 1347	EXPAN.NUTS PLASTIC 7X13 1347	fH 300	21	14115960, 83468353	FIAT Punto, Bravo, Brava, Marea, Tipo, Tempra, Ducato
3040 1349	EXPAND. RIVET 6.5X15XX11 1349	gf 100	22	5988006	FIAT Uno, Punto, Cromia, Tipo, Tempra, Regata, Ducato
3040 1350	MOUNTING SIDE WINDOW 1350	z 50	23	5994095, 7775575	FIAT Doblo, Punto, Palio, Alfa 147, Lancia Lybra
3040 1353	FIR TREE CLIP BL 9X20X18 1353	gf 100	24	60503610	ALFA 33/164: inner lining
3040 1354	MOUN. WHEEL CASE/UPHOLS. 1354	fH 300	25	76778650	ALFA 145/146/147/155/156, Fiat Bravo, Cromia, Doblo, Ducato, Marena
3040 1356	MOUNTING DOOR LINING 1356	fH 300	26	14187880	FIAT Uno 1 st Series, Regata, Ducato, 127, 131
3040 1357	MOUNTING DOOR LINING 1357	gf 100	27	14191180	ALFA 145/146, Ducato '94, Uno, Y
3040 1358	INNER LINING CLIP 1358	gf 100	28	7658893	FIAT Tipo, Tempra: inner lining
3040 1359	DOOR/INNER LINING CLIP 1359	gf 100	29	46410400, 60600860	FIAT Punto, Seicento, LANCIA Multipla, Kappa, Lybra, Y
3040 1362	MOUNTING ROD DOOR LOCK	gf 100	30	14578082	FIAT Tipo, Tempra, Ducato, Lancia Y-10
3040 1374	MOUNTING DOOR LINING 1374	gf 100	31	7733801	ALFA 145/146/156/166, GT, FIAT Bravo, Brava, Cromia, Doblo, Marea, Panda '03,
3040 1375	MOUNTING DOOR LINING 1375	fH 300	32	7745194	FIAT Cromia, Multipla, Palio, Seicento, Stilo, Strada, LANCIA Kappa, Lybra, Y,
3040 1376	FIR TREE CLIP BL 9X22X21 1376	gf 100	33	1301019650	ALFA 156, Fiat Punto, Ducato Restyling, Palio, Siena
3040 1377	EXPANDING RIVET 6X10X18 1377	gf 100	34	7569468	FIAT Uno, Punto, Bravo, Brava, Marea, Tipo, Tempra, Cromia, LANCIA var. models
3040 1378	EXP.NUTS PLAS. 7X13X10X16 1378	fH 300	35	7543023	ALFA 145/146/156, FIAT Cinquecento, Uno, Punto, Bravo, Brava, Marea, Tipo, Tempra
3040 1379	MOUNTING DOOR LINING 1379	gf 100	36	7603823, 7603825	FIAT Tipo, Tempra 1st Series, Cinquecento: door lining
3040 1391	FIR TREE CLIP BL7.5X20X12 1391	gf 100	37	5961759, 7560860	ALFA Brera, FIAT Cinquecento, Uno, Punto, Bravo, Brava, Marea, Cromia, Lancia Y-10
3040 1392	MOUNTING DOOR LINING 1392	gf 100	38	14191280	ALFA 33, Fiat Tipo, Tempra, Uno, Lancia Y-10, Delta 305
3040 1393	EXPAN.NUTS PLASTIC 10X13 1393	gf 100	39	14222581	FIAT Punto, Tipo, Tempra: inner lining, wheel housing
3040 1406	FIR TREE CLIP BL6.5X19X15 1406	gf 100	40	5757139	ALFA 155, FIAT Bravo, Brava, Uno, Tipo, Lancia Dedra, Delta: motor bonnet

Fixing Parts FIAT, LANCIA, ALFA (FIAT GROUP)



Article No.	Article Description	QTY	Pic	OEM-No.	Vehicle-Application
3040 1421	MOUNTING ROD DOOR LOCK 1421	gf 100	41	14578180	FIAT Ducato, Cinquecento, Croma, Regata, Uno: door lock
3040 1427	INNER LINING CLIP 1427	gf 100	43	46408953, 46748771	ALFA 147/156/159/166, FIAT Bravo, Brava, Doblo, Ducato, Marea, Multipla, Punto, Stilo, LANCIA Kappa
3040 1428	MOUNTING AERATION 1428	gf 100	44	46459200, 60811698	FIAT Bravo, Brava, Marea, Multipla: ventilation
3040 1429	MOUNTING CLIP SIDE WINDOW 1429	z 50	45	7608099	FIAT Ducato, Tipo, Tempra: side window
3040 1430	EXP.NUTS PLASTIC 6X6.5X10 1413	gf 100	46	46478225, 82422490	FIAT Bravo, Brava, Croma, Doblo, Marea, Ducato, Stilo, Tipo, Tempra, Uno, LANCIA Dedra, Thema
3040 1432	FIR TREE CLIP BL 7X20X13 1432	gf 100	47	735266957	ALFA 147/156/159, Brera, FIAT Bravo, Brava, Doblo, Marea, Punto '99 and '03, Palio, LANCIA Kappa
3040 1433	MOUNTING COOLER BONNET 1433	fh 300	48	7768047	ALFA 156, FIAT Punto, Bravo, Brava, Marea: cooler, motor bon.
3040 1435	EXPAN.NUTS PLASTIC 10X13 1435	gf 100	49	14222380, 83468453	ALFA, FIAT var. models: wheel housing
3040 1444	MOULDING CLAMP 1444	gf 100	50	500339745	IVECO Daily: moulding
3040 1447	FIR TREE CLIP BL 8X16X17 1447	gf 100	51	504010315	IVECO Daily, Lancia Lybra: inner lining
3040 1451	MOUNTING WINDOW LIFTER 1451	1	52*	9790337080	FIAT Scudo, Ulysse ' 95, LANCIA Zeta: window lifter
3040 1466	MOUNTING DOOR LINING 1466	gf 100	53		FIAT Ulysse: door lining
3040 1470	MOUNTING SIDEBAR 1470	gf 100	54	71728805	Fiat Doblo: moulding
3040 1471	MOUNTING WHEEL CASE 1471	gf 100	55	468842097	FIAT Stilo: wheel housing
3040 1482	EXPANDING RIVET 6X12X13 1482	gf 100	56	51761163	FIAT Croma '05: screen
3040 1510	FIR TREE CLIP BL 6X15X17 1510	gf 100	57	735366395	FIAT Doblo: door lining
3040 1511	EXPAN.NUTS PLASTIC 8X11 1511	gf 100	58	14203587	FIAT Bravo, Brava, Coupe, Marea, Punto ' 03, Palio, LANCIA Dedra, Nuova, Delta
3040 1512	INNER LINING CLIP 1512	gf 100	59	46829200	ALFA 147, FIAT Idea: inner lining
3040 1513	EXPAN.NUTS PLASTIC 7X14 1513	gf 100	60	500389689	IVECO Daily
3040 1539	EXPANDING RIVET 5.5X16X10 1539	gf 100	61	500358569	FIAT var. models: inner lining
3040 1541	EXPANDING RIVET 5.5X16X10 1541	gf 100	62	9621837480	FIAT Scudo: inner lining
3040 1596	MOUNTING DOOR LINING 1596	gf 100	63		FIAT Scudo III: door lining
3040 1611	FIR TREE CLIP BL 8X24X17 1611	gf 100	64	14593487	ALFA 145/146/147/155/156/166, Brera, GTV, FIAT Bravo, Brava, Ducato ' 02, Marea

Fixing Parts FIAT, LANCIA, ALFA (FIAT GROUP)



Article No.	Article Description	QTY	Pic	OEM-No.	Vehicle-Application
3040 1633	WINDOW LIFTER HOLDER R 1633	1	65*		FIAT Doblo: window lifter right
3040 1634	WINDOW LIFTER HOLDER 1634	1	66*		FIAT Doblo: window lifter left
3040 1687	EXPANDING RIVET 6.5X20X20 1687	gf 100	67	51756677	FIAT Croma ab '05: insulation motor bonnet, upholstery
3040 1766	PUMPS WINDS.WASHER SYSTEM 1766	1	68*	9601120180	FIAT Scudo pump windscreen wiper unit
3040 1767	PUMPS WINDS.WASHER SYSTEM 1767	1	69*	9612358180	FIAT Ulysee: pump windscreen wiper unit
3040 1769	PUMPS WINDS.WASHER SYSTEM 1769	1	70*	46797755	FIAT Multipla, Palio, Punto, Tipo, LANCIA Delta, Dedra, Musa, Ypsilon
3040 1794	SHEET NUTS M6 16,3X19 1794	fH 300	71*	60808479	ALFA 146/155/166, FIAT Bravo, Brava, Doblo, Ducato, Marea, Palio, Stilo, Tipo, LANCIA Lybra, Y
3040 1799	SHEET NUTS UNIV. 4.2 11.6X15X8	fH 300	73	7729424	ALFA 156/159, LANCIA Y, FIAT Stilo, Palio, Doblo, Multipla, Barchetta
3040 1809	SHEET NUTS M4 10X15 1809	fH 300	74	14188971	FIAT Panda 2003, LANCIA Lybra sheet nut
3040 1814	SCREW M6X25 WASHER 18 1814	gf 100	75		FIAT var. models
3040 1849	SPREAD NUT PLAST.7.8X8.2 BLUE	f 100	76	14215282, 4264257	ALFA, FIAT, LANCIA, var. models
3040 3038	SPREAD NUT PLASTIC 7X9.5 3038	fH 300	77	14201980	FIAT, Punto 97 IE
3040 3039	SPREAD NUT PLASTIC 7X9 3039	fH 300	78	14211580	FIAT, var. models
3040 3041	EXPAND.RIVET PLASTIC 8X24X16	fH 300	79	129421	FIAT, var. models
3040 3042	SPREAD NUT PLASTIC 6X9.5 3042	fH 300	80	14215480	FIAT, var. models
3040 3045	SCREW RIVET PLASTIC6.2X12.2X11	fH 300	81	7556533	FIAT, var. models
3040 3048	SCREW RIVET PLASTIC 8X18X18	fH 300	82	504056662	FIAT, var. models
3040 3052	EXPAND.RIVET PLASTIC 6.2X11X10	fH 300	83	14569187	FIAT, var. models
3040 3067	SPREAD NUT DOOR LINING 3067	gf 100	84	46408953	FIAT, Punto 97 IE

Fixing Parts FORD



Article No.	Article Description	QTY	Pic	OEM-No.	Vehicle-Application
1302 55 19	SHEET META.SREW+WASH BL.5.5X19HR 500	1	2026706		var. models
1302 63 19	SHEET MET.SCR.W.WASH.ZN 6.3X19 HR 500	2	227336, 1473084		var. models
2040 6	FLANGE NUT WITH WASHER M6	HR 500	3		var. models
2040 8	FLANGE NUT WITH WASHER M8	HR 500	4		var. models
2290 35	SHEET-MET.NUT 3.5 16.50X11.00	H 300	5	1474663	var. models
2290 63 2	SHEET NUTS UNI.6.3 23.15X17.19	H 300	6		var. models
2290 80	SHEET NUTS M 8 16.7X25	H 300	7	6103426	var. models
2291 5	PLATE NUT M5 20.4X15.0X10.5	f 100	8	E824115S74	var. models
3010 1	BODY TRIM RIVET T-BOLT	100	9	1571349	var. models
3011 3	RETAINING RING	100	10	6715468	var. models
3040 1025	INNER LINING CLIP YELLOW 1025	gf 100	11	1008068	var. models: inner lining
3040 1029	FIR TREE CLIP 14X2X15 1029	gf 100	12	1489595	var. models
3040 1034	FIR TREE CLIP 20X2.5X20 1034	gf 100	13	1079129	var. models
3040 1071	INNER LINING CLIP 1071	fH 300	14	6099812	var. models: inner lining
3040 1073	MOULDING CLAMP 1073	gf 100	15	6040784	Fiesta: moulding
3040 1088	FIR TREE CLIP GR8X18X16.5 1088	fH 300	16	1018433	var. models
3040 1089	FIR TREE CLIP BL8X18X16.5 1089	fH 300	17	6725950	var. models
3040 1106	EXPAN.NUTS PLASTIC 9.5X22 1106	gf 100	18	1659672	var. models: door
3040 1114	MOUNTING CLIP UPHOLSTERY	fH 300	19	1591426	var. models: upholstery
3040 1129	FIR TREE CLIP BL8X25X12.5 1129	fH 300	20	6448410	var. models: motor bonnet
3040 1137	EXPAN.NUTS PLASTIC 7X9 1137	fH 300	21	6695013	var. models: wheel housing
3040 1165	MOUNTING DOOR LINING 1165	fH 300	22	6176723	var. models: door lining
3040 1166	EXP.NUTS PLA. 10X13X13X14 1166	fH 300	23	6078784	var. models: radiator grill

Fixing Parts FORD



Article No.	Article Description	QTY	Pic	OEM-No.	Vehicle-Application
3040 1204	MOUNT.1 BUMPER	gf 100	24	1038008	var. models: bumper
3040 1205	MOUNT.2 BUMPER	gf 100	25	1031769	var. models: bumper
3040 1210	MOUNTING DOOR LINING 1210	fH 300	26	1070107	var. models: door lining
3040 1231	MOUNT.STRIP BONNET	gf 100	27	1629999	var. models: motor bonnet
3040 1233	MOUNT.STRIP WINDSCREEN	z 50	28	1106903	Focus: screen
3040 1234	MOUNT.STRIP WINDSCREEN BLACK	z 50	29	4069906	Transit: screen
3040 1235	MOUNT.WINDSCREEN WHITE	z 50	30	4069907	Transit: screen
3040 1252	MOUNTING DOOR LINING 1252	gf 100	31		var. models: door lining
3040 3080	EXPRIV.W.CAP PLST.8.0X20 B21	gf 100	32	1039463	var. models: wiper blade
3040 1263	MOUNT.WINDSCREEN	z 50	33	1022510	var. models: screen
3040 1264	MOUNT.GASKETS	fH 300	34		var. models: sealants
3040 1343	MOUNTING DOOR LINING 1343	gf 100	35		var. models: door lining
3040 1348	MOUN.CLIP FRONT GRILL 1348	gf 100	36	1500238	var. models: front grille
3040 1361	EXPANDING RIVET 11X25X14 1361	gf 100	37		Fiesta, Escort: wheel housing
3040 1393	EXPAN.NUTS PLASTIC 10X13 1393	gf 100	38		var. models: wheel housing
3040 1417	EXPAND.RIVET Ø6X6X8X15X12 1417	gf 100	39	1629549, 6734363	Escort '95, Fiesta '96, Mondeo '93 – 97
3040 1435	EXPAN.NUTS PLASTIC 10X13 1435	gf 100	40		Fiesta '95: wheel housing
3040 1438	EXPA.NUTS PLASTIC 8X10X20 1438	gf 100	41	6150260	Ka, Fiesta '89, Fiesta '96, Puma, Escort, Mondeo
3040 1439	SCREW RIVET 6.2X16X17 1439	gf 100	42	1007932	Fiesta '96, Focus, C-Max wheel housing Focus '04: bumper
3040 1440	FIR TREE CLIP BL.8.5X15X12 1440	gf 100	43	6786759	Ka: inner lining, motor bonnet
3040 1441	EXPAN.NUTS PLASTIC 6.7X9 1441	gf 100	44	1027000	Focus '98: turn signal
3040 1448	MOUNTING DOOR LINING 1448	gf 100	45	1020732	Ka, Focus, Fiesta '96, Puma: door lining
3040 1499	EXPAN.NUTS PLASTIC 9.5X20 1499	z 50	46	6156396	Focus: headlight
3040 1514	MOUNTING CLIP ROD BONNET 1514	z 50	47	6068981	Escort, Fiesta '96, Focus, Ka, Transit: motor bonnet

(Continued on next page)

Fixing Parts FORD



Article No.	Article Description	QTY	Pic	OEM-No.	Vehicle-Application
3040 1575	EXPAN.NUTS PLASTIC 9.5X13 1575	gf 100	48	6549354	Fiesta, C-Max, Fusion, Focus '98, Mondeo, Transit
3040 1576	REP.SET WIND.LIFT.DOOR R 1576	1	49*		Focus '98 – 04: right window
3040 1577	REP.SET WIND.LIFT.DOOR L 1577	1	50*		Focus '98 – 05: left window
3040 1592	MOUNTING DOOR LINING 1592	gf 100	51	1335795	var. models: inner lining
3040 1593	EXP.NUTS PLASTIC 8.2X11.5 1593	gf 100	52	1335795	var. models
3040 1594	MOUNTING DOOR LINING 1594	z 50	53	1257376	Focus, C-Max: door lining
3040 1651	WIND.LIFTER HOLDER BACK R 1651	1	54*		Fiesta from '96: right window lifter at the back
3040 1652	WIND.LIFTER HOLDER BACK L 1652	1	55*		Fiesta from '96: left window at the back
3040 1653	WIND.LIFTER HOLD. FRONT R 1653	1	56*		Fiesta from '04 ,Fusion: right window lifter in the front
3040 1654	WIND.LIFTER HOLD. FRONT 1654	1	57*		Fiesta from '04 ,Fusion: right window lifter in the front
3040 1733	MOUNTING DOOR LINING 1733	gf 100	58	1214485	Focus '04, C-Max '03 – 07, Fiesta '02: door lining
3040 1734	MOUNTING DOOR LINING 1734	gf 100	59	1208973	C-Max '03 – 07, Fiesta '02: door lining
3040 1735	MOUNTING DOOR SEALING 1735	gf 100	60	1042065	Mondeo: door sealant
3040 1736	MOUNTING TAILGATE 1736	gf 100	61	1360385	Focus '04, C-Max '03 – 07: tailgate

Fixing Parts FORD



62*



63*



64*



65*



66



67



68



69



70



71



72



73



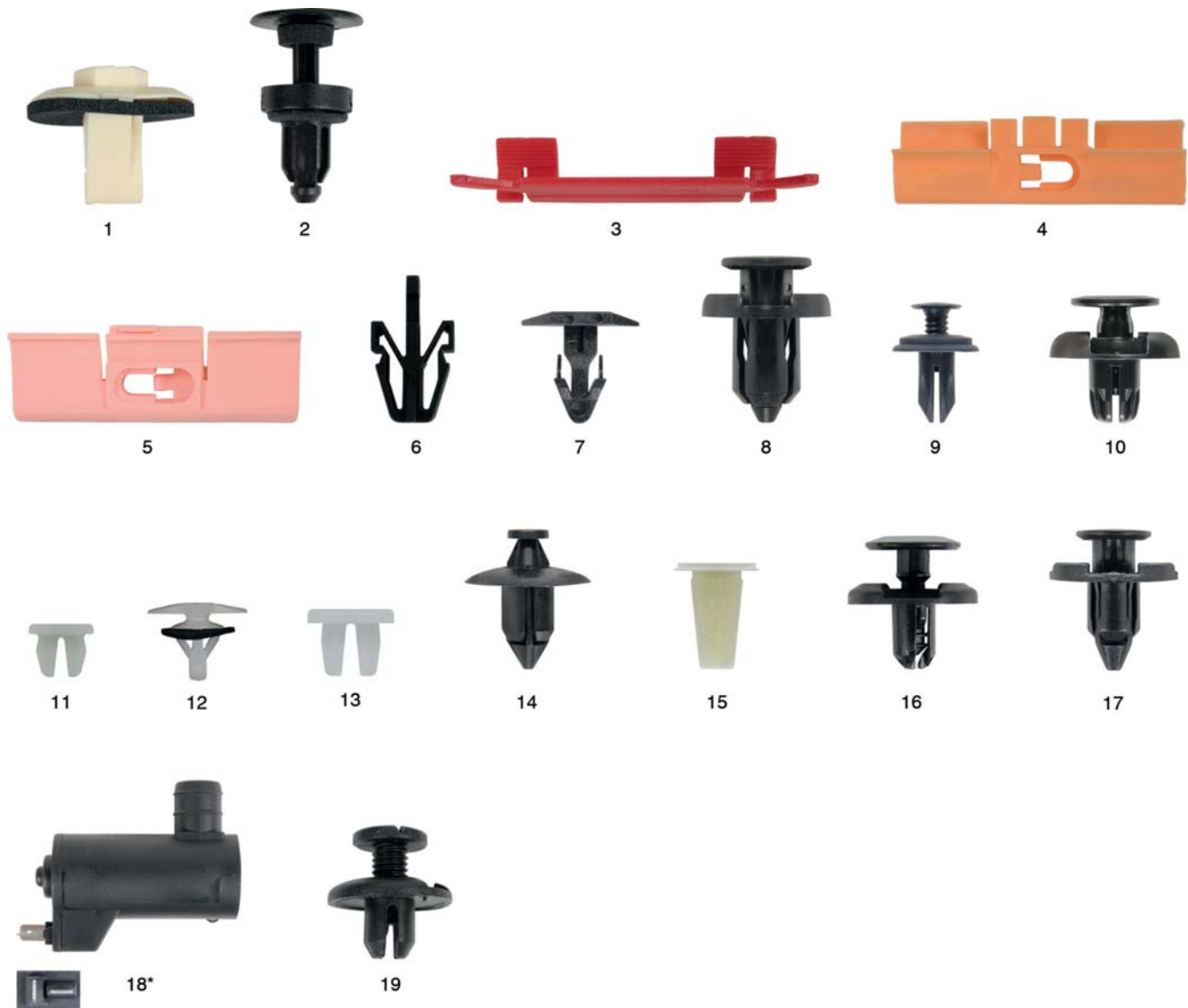
74



75

Article No.	Article Description	QTY	Pic	OEM-No.	Vehicle-Application
3040 1768	PUMPS WINDS.WASHER SYSTEM 1768	1	62*	7700428336	Clio, Espace IV, Kangoo, Laguna II, Megane, Modus, Scenic, Traffic, Vel Satis
3040 1770	PUMPS WINDS.WASHER SYSTEM 1770	1	63*	6140949	Fiesta '86 - 89, Transit '91: Pumpe
3040 1771	PUMPS WINDS.WASHER SYSTEM 1771	1	64*	7003178	Escort, Fiesta, Focus '05, Ka, Mondeo, Puma, Transit
3040 1772	PUMPS WINDS.WASHER SYSTEM 1772	1	65*	7222079	Galaxy: pump windscreen wiper unit
3040 1801	SHEET NUTS UNI.3.9 11.2X16.5X8	fH 300	66		universal sheet nut
3040 1803	SHEET NUTS UNI.4.2 11X16.5X8.5	fH 300	67	1716235	universal sheet nut
3040 1804	SHEET NUTS UNI.4.2 11X15.5X7.5	fH 300	68		universal sheet nut
3040 1810	SHEET NUTS M5 10X15 1810	fH 300	69		universal sheet nut
3040 1825	SCREW 5.5X19 WASHER 22 1825	gf 100	70		var. models
3040 3001	EXPRIVET PLAST. 7.9X12.0 B16	gf 100	71		var. models
3040 3007	EXPRIV.PLAST.7.8X11.0 B12.3	gf 100	72	7200671	var. models
3040 3044	SPREAD NUT 4.0	fH 300	73	1443038	var. models
3040 3053	SCREW RIVET PLASTIC 7X7X11X10	fH 300	74	6114021	var. models: wiper blades
3040 3056	SCREW RIVET PLASTIC 8X10X12X15	gf 100	75	6181023	var. models: tailgate

Fixing Parts HONDA



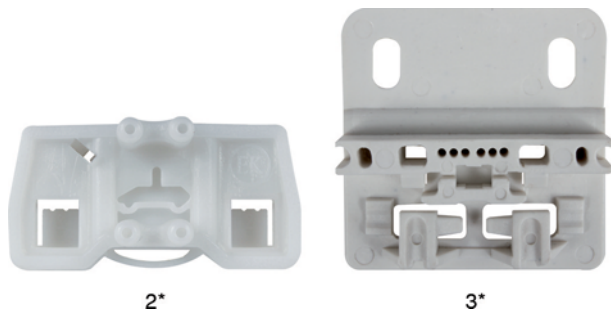
Article No.	Article Description	QTY	Pic	OEM-No.	Vehicle-Application
3040 1202	MOUNT.STRIP WINDSCREEN	gf 100	1	91517SJ4003	HONDA, var. models: screen
3040 1242	EXPAND. RIVET 8X8X14X13.5 1242	z 50	2	91508SM4003	HONDA, var. models: screen
3040 1258	MOUNT.STRIP RED WINDSCREEN	gf 100	3	91520SR3003	HONDA, var. models: screen
3040 1261	MOUNT.STRIP ORANGE WINDSCREEN	z 50	4	91511ST3E00	HONDA, var. models: screen
3040 1262	MOUNT.STRIP PINK WINDSCREEN	z 50	5	91525SM4003	HONDA, var. models: screen
3040 1268	MOUNT.CLIP RADIATOR GRILL	gf 100	6		HONDA, var.models:tailgate
3040 1478	MOUNTING GRID WINDSCREEN 1478	z 50	7	91515SR3000	Ballade, City, Civic from 92-00, CR-V from 97-01, CRX, HR-V, Integra, Logo
3040 1490	EXPANDING RIVET 10X20X15 1490	z 50	8	91503SZ3003	Accord from 97, Civic from 97, CRV from 97, Jazz from 05, Odyssey from 96,FRV,HRV,Integra
3040 1493	SCREW RIVET 6.2X14X11.5 1493	z 50	9	90687SB0003	var.models: inner lining
3040 1494	EXPANDING RIVET 8X20X10 1494	z 50	10	91501S04003	Accord from 96, Civic from 96, CRV from 97, HRV, Jazz from 07
3040 1495	EXPAN.NUTS PLASTIC 7X10 1495	gf 100	11	75522611000, 75522611003	Accord, Civic, CRX, Integra, Legend, Logo, NSX, Odyssey, Prelude
3040 1500	MOUNTING DOOR LINING 1500	ü 10	12	91530ST5003	Civic from 96 to 05, Odyssey from 99 to 04
3040 1501	EXP.NU.PL. 8.5X10.5X13X15 1501	gf 100	13	90656671631	Civic, Prelude
3040 1528	EXPANDING RIVET 8X20X12.5 1528	z 50	14		Accord from 96, Civic from 96, CRV from 02 to 06, Jazz from 07
3040 1530	EXPAN.NUTS PLASTIC 7X13 1530	gf 100	15	90672671811	Accord, Civic, CRV, Legend, NSX, Prelude
3040 1605	EXPANDING RIVET 7X20X10 1605	z 50	16		var.models: wheel housing
3040 1606	EXPANDING RIVET 8X20X12 1606	z 50	17	91545SE0003	Accord from 03-07, Civic from 01, CRV from 02 to 06, Jazz from 07, NSX, S2000 from 00
3040 1770	PUMPS WINDS.WASHER SYSTEM 1770	1	18*	75806SN7E05	Accord from 97 Pump
3040 3060	SCREW RIVET PLASTIC 8X20X9	z 50	19	91512SM4003	var.models: wheel housing

Fixing Parts HYUNDAI



Article No.	Article Description	QTY	Pic	OEM-No.	Vehicle-Application
3040 1293	MOULDING CLAMP LATERAL	z 50	1	8777028000	HYUNDAI, var. models: moulding clamp
3040 1612	SCREW RIVET 8X18X12 1612	z 50	2	8659028000	HYUNDAI Atos, Getz, H1, Lantra, Santa Fe, Tucson
3040 1739	MOUNTING SIDEBAR 1739	gf 100	3	8684822000	HYUNDAI Getz, Matrix, Santa Fe, Sonata, Tucson, KIA Carnival
3040 1740	MOUNTING SIDEBAR 1740	gf 100	4	877561C000	HYUNDAI Getz, Matrix, KIA Sorento: sidebar
3040 1741	MOUNTING SIDEBAR 1741	gf 100	5	8775635000	HYUNDAI Atos, Matrix, Santa Fe, Sonata, Tuscon: sidebar
3040 1742	MOUNTING SIDEBAR 1742	gf 100	6	8771902500	HYUNDAI Atos, Santa Fe, KIA Picanto: sidebar
3040 1743	MOUNTING SIDEBAR 1743	gf 100	7	877562E000	HYUNDAI Santa Fe, Tucson: sidebar
3040 1744	MOUNTING SIDEBAR 1744	gf 100	8	8775839000	HYUNDAI Coupe, Santa Fe, Tucson: sidebar
3040 1745	MOUNTING SIDEBAR 1745	gf 100	9	8775927000	HYUNDAI Coupe, Santa Fe, Tucson: sidebar
3040 1748	MOUNTING DOOR SEALING 1748	gf 100	10	82132-27100	HYUNDAI Atos, Galloper, Santa Fe: door sealing
3040 1749	MOUN. INSULATION BONNET 1749	gf 100	11	864384A100	HYUNDAI Atos, Galloper, Santa Fe, KIA Carnival, Picanto, Rio: bonnet
3040 1770	PUMPS WINDS.WASHER SYSTEM 1770	1	12*	98510-3B000	HYUNDAI Accent, Coupé, Excel, Lantra, Sonata from 98

LAND ROVER Fastenings



Article No.	Article Description	QTY	Pic	OEM-No.	Vehicle-Application
3040 1713	WINDO.LIFTER HOLD.FRONT L 1713	1	2*		LAND ROVER Freelander: window regulator
3040 1714	WIND.LIFTER HOL.FRONT R/L 1714	1	3*		LAND ROVER Freelander: window regulator

MAZDA Fastenings



Article No.	Article Description	QTY	Pic	OEM-No.	Vehicle-Application
3040 1527	EXPAN.NUTS PLASTIC 8X11 1527	gf 100	1	999100501	diff. models

Fixing Parts MERCEDES-BENZ



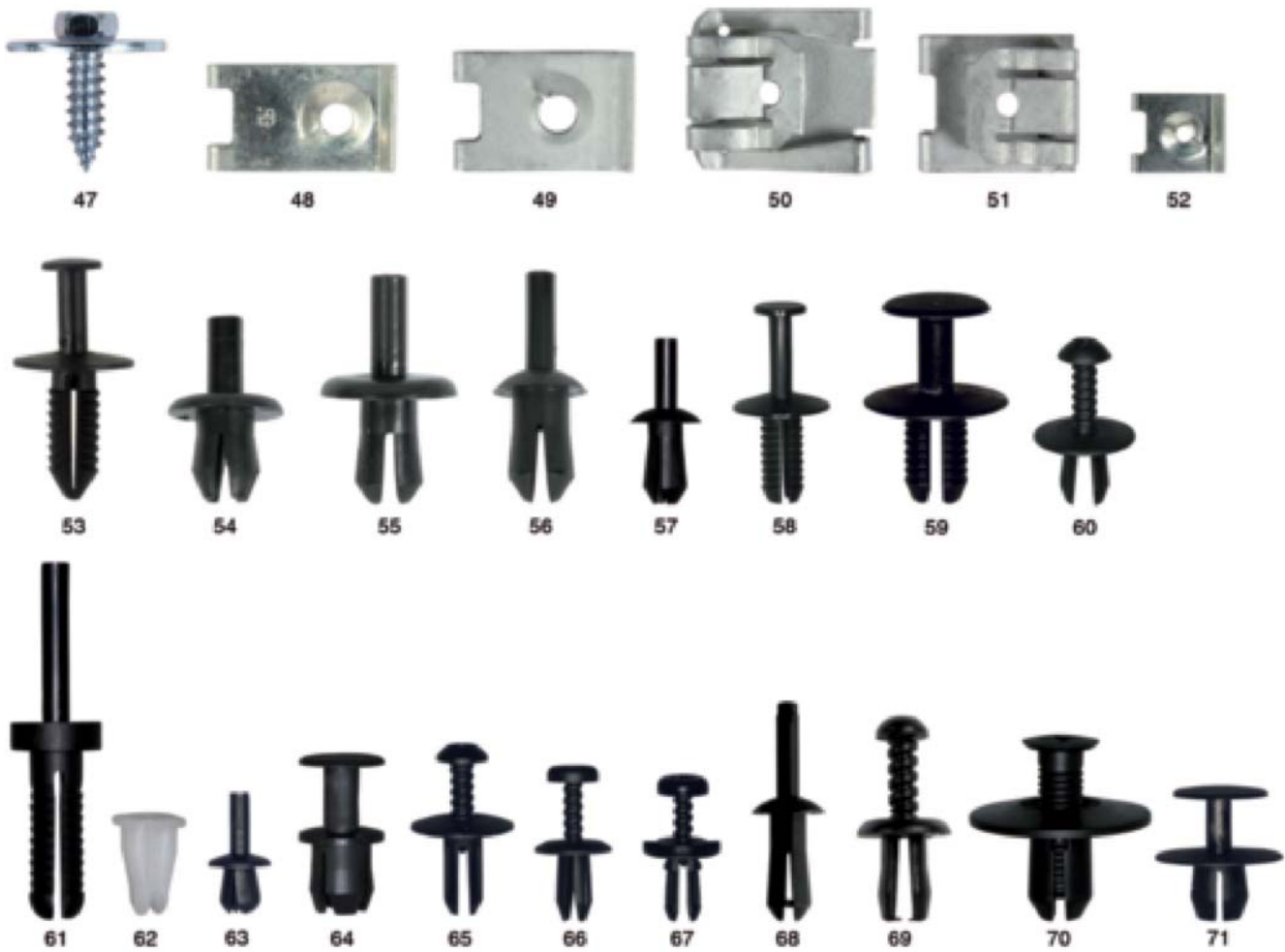
Article No.	Article Description	QTY	Pic	OEM-No.	Vehicle-Application
1302 48 13	SHEET MET.SCR.W.WASH.ZN 4.8X13	HR 500	1	91403204214	var. models
1302 63 19	SHEET MET.SCR.W.WASH.ZN 6.3X19	HR 500	2	91403106203	var. models
2290 29	SHEET-MET.NUT 2.9 12.00X11.00	H 300	3	A0009944245	var. models
2290 40	SH.MET.NUT 4.0 YELL. 18.00X10.1	H 300	4	0009940145	var. models
2290 48 1	SHEET-MET.NUT 4.8 16.50X11.30	H 300	5	0009940645	var. models
2291 5	PLATE NUT M5 20.4X15.0X10.5	f 100	6	A0029942045	var. models
2291 6 1	PLATE NUT M6 23.6X16.0X11.5	f 100	7	A0039941745	var. models
2291 9	PLATE NUT M8 27.5X18.0X13.0	f 100	8	A0039941545	var. models
3040 1034	FIR TREE CLIP 20X2.5X20 1034	gf 100	9	A0009880328	var. models
3040 1043	GROMMET MOULDING CLIP 8.9X12.7	gf 100	10	0019887681	W202: moulding
3040 1044	INNER LINING CLIP 1044	gf 100	11	0069884378, 6117693	var. models: inner lining
3040 1045	FIR TREE CL. 20X2.75X12.5 1045	gf 100	12	A0009974686, A0009880328	var. models
3040 1046	JACKPOINT SUPPORT	1	13	0019979586	MB, W124 from ' 9/89: jack
3040 1047	INNER LINING CLIP 1047	gf 100	14	0039884178	var. models: inner lining
3040 1048	MOULDING CLIP LINING MUDGUARD	gf 100	15	0019884981	W124: moulding
3040 1049	FIR TREE CLIP 14X1.6X12 1049	gf 100	16	A0009912895	var. models
3040 1050	GROMMET RED 9.1X5.6	gf 100	17	0009881581	var. models
3040 1051	MOULDING CLIP 1051	gf 100	18	0019884681	W124 from ' 9/89: moulding
3040 1052	MOULDING CLIP 1052	gf 100	19	0069883078	var. models: moulding
3040 1143	FIR TREE CLIP GR 8X18X26 1143	fH 300	20	6319842561	var. models: upholstery
3040 1193	STRIP WIPER BLADES	z 50	21	6389840361	var. models: wiper blade
3040 1196	MOUNTING CLIP WHEEL HOUSING	fH 300	22	0039900251	var. models: wheel housing

Fixing Parts MERCEDES-BENZ



Article No.	Article Description	QTY	Pic	OEM-No.	Vehicle-Application
3040 1203	MOUNTING LINING 6MM	fH 300	23	0039900251	var. models: lining
3040 1297	MOUNTING NUT WHEEL HOUSING	fH 300	24	2019900050	var. models: wheel housing
3040 1373	EXPANDING RIVET 7X18X17 1373	gf 100	25	0019944145	var. models: inner lining
3040 1394	MOUNTING CLIP ROOF STRIP 1394	z 50	26	2016980660	var. models: Dachleiste
3040 1434	MOUNTING CLIP STRIP 1434	gf 100	27	0019882081	var. models: Leiste
3040 1504	EXPANDING RIVET 6X16X14 1504	gf 100	28	0009904529	var. models: bumper
3040 1533	COVERING TUBE F. NUT 1533	gf 100	29	39900251	var. models
3040 1542	EXPANDING RIVET 5.5X16X11 1542	gf 100	30	0009905592	var. models
3040 1589	INNER LINING CLIP 1589	gf 100	31	0009912771	Sprinter: upholstery
3040 1590	EXPANDING RIVET 8X20X14 1590	gf 100	32	0009913940	Sprinter: upholstery
3040 1600	MOUNTING CLIP WINDSCREEN 1600	z 50	33	2119880081	E-Class Avantgare from ' 92: windscreen
3040 1622	MOUNTING WINDSCREEN 1622	z 50	34	6389840961	Vito V-Class: windscreen
3040 1631	WINDOW LIFTER HOLDER R 1631	1	35*		Vito: right window lifter
3040 1632	WINDOW LIFTER HOLDER L 1632	1	36*		Vito: left window lifter
3040 1699	MOUNTING BAR WINDSCREEN 1699	gf 100	37	1239900592	C-Class W204: windscreen
3040 1715	WIND.LIFT.HOLD.FRONT R/L 1715	1	38*		S320: window lifter in the front righth/left
3040 1760	PUMPS WINDS.WASHER SYSTEM 1760	1	39*	2028690021	190, C-Class, Sprinter, Vito W368: pump wiper blade
3040 1761	PUMPS WINDS.WASHER SYSTEM 1761	1	40*	2108691021	A-Class W168, E-Class W210: pump
3040 1763	PUMPS WINDS.WASHER SYSTEM 1763	1	41*	2028690221	W163/202/203/210/211, CLK, SLK, Smart
3040 1773	PUMPS WINDS.WASHER SYSTEM 1773	1	42*	1298690021	G-Class W460, Sprinter, Vito: pump
3040 1798	SHEET NUTS UNIVE. 2.9 8X10X4.8	fH 300	43	0019940445, 1239940145	universal sheet nut
3040 1804	SHEET NUTS UNI.4.2 11X15.5X7.5	fH 300	44	0009942545	universal sheet nut
3040 1808	SHEET NUTS UNIVER. 4.8X15X16X9	fH 300	45	9940545	universal sheet nut
3040 1810	SHEET NUTS M5 10X15 1810	fH 300	46	0039944245, 29942045	universal sheet nut

Fixing Parts MERCEDES-BENZ



Article No.	Article Description	QTY	Pic	OEM-No.	Vehicle-Application
3040 1825	SCREW 5.5X19 WASHER 22 1825	gf 100	47		var. models
3040 1829	SHEET NU.UN.5.5X14.5X25.8X17.5	fH 300	48	0009944745, 1269941245	W124, W126: front grid
3040 1830	SHEET NUT.UNI.6.3X16.2X24.8X14	fH 300	49	0009940945	var. models: door
3040 1831	SHEET NUTS UNI. 4.8X22X25.5X15	fH 300	50	0049943145	var. models: oil pan
3040 1832	SHEET NU.UNI. 4.8X18.5X21.5X12	fH 300	51	0029948045	var. models: oil pan
3040 1836	SHEET NUTS UNI. 2.9X10.8X13X7	fH 300	52	0009944245, 0019945445	var. models: loudspeaker
3040 1844	EXPAN. RIVET. 6X16X18 1844	gf 100	53	A1249900492	W124/W204/W251
3040 3001	EXP.RIVET PLAST. 7.9X12.0 B16	gf 100	54	A0009902992	var. models
3040 3008	EXP.RIVET PLAST.8.0X15.0 B19	gf 100	55	A0019901692	var. models
3040 3009	EXP.RIVET PLAST.8.0X15.0 B13	gf 100	56	9903792	W123, trucks
3040 3014	EXP.RIVET PLAST. 5.0X11.5 B10	gf 100	57	0009903492	var. models
3040 3016	EXP.RIV.W.CAP PLAST.6.5X15 B15	gf 100	58	A0009905492	var. models
3040 3023	EXP.RIV.W.CAP PLAST.8.7X14 B20	gf 100	59	1269900392	W123/124/201/140/126: wheel housing
3040 3027	SCREW RIVET 6.3X11.3	gf 100	60	2019900292	var. models
3040 3028	RIV.WITHO.CAP PLAST.7.5X24 B13	gf 100	61	6419900092	trucks JK from '89
3040 3029	PLASTIC SPREAD NUT TRANSPARENT	gf 100	62	0009881625	W201
3040 3031	EXP.RIVET PLAST. 5.5X8.0 B10	gf 100	63	0009900392, 0009902292	var. models
3040 3032	EXP.RIV.W.CAP PLST.8.3X10 B12	gf 100	64	1239900092	var. models
3040 3033	SCREW RIVET 6.2X15.2	gf 100	65	0009904692	var. models
3040 3034	SCREW RIVET 4.5X11.2	gf 100	66	0009904092, 1249900592	var. models
3040 3035	SCREW RIVET 4.9X4.9X11	gf 100	67	0009904492	var. models
3040 3040	EXPAND.RIVET PLASTIC 5X10X15.8	fH 300	68	6389840261	var. models
3040 3045	SCREW RIVET PLASTIC6.2X12.2X11	fH 300	69	6389900492	var. models
3040 3069	SCRIVET BLACK	gf 100	70	A1639900292	ML
3040 3071	EXP.RIV.W.CAP PLST.8.0X9.4 B20	gf 100	71	1239900292	var. models: screen

Fixing Parts MITSUBISHI



Article No.	Article Description	QTY	Pic	OEM-No.	Vehicle-Application
3040 1295	EXPAN.NUTS PLASTIC 10X16 1295	fH 300	1	MB293328	mitsubishi, var. models: upholstery
3040 1524	MOUNTING UPHOLSTERY CLIP 1524	z 50	2	MU480033	var. models: upholstery
3040 1525	SCREW RIVET 7X17X10 1525	z 50	3	MB253964	Carisma, Colt, Galant, Space Runner: bumper, strip, upholstery
3040 1526	SCREW RIVET 6X15X13.5 1526	fH 300	4	MR215510	Carisma, Space Star: radiator grill, strip
3040 1606	EXPANDING RIVET 8X20X12 1606	z 50	5	MR328954	Montero, Pajero, Galant, Space Runner
3040 1770	PUMPS WINDS.WASHER SYSTEM 1770	1	6*	MB358361	Montero: pump windscr.wiper unit
3040 3023	EXP.RIV.W.CAP PLAST.8.7X14 B20	gf 100	7	M820141	var. models

Fixing Parts NISSAN, DATSUN



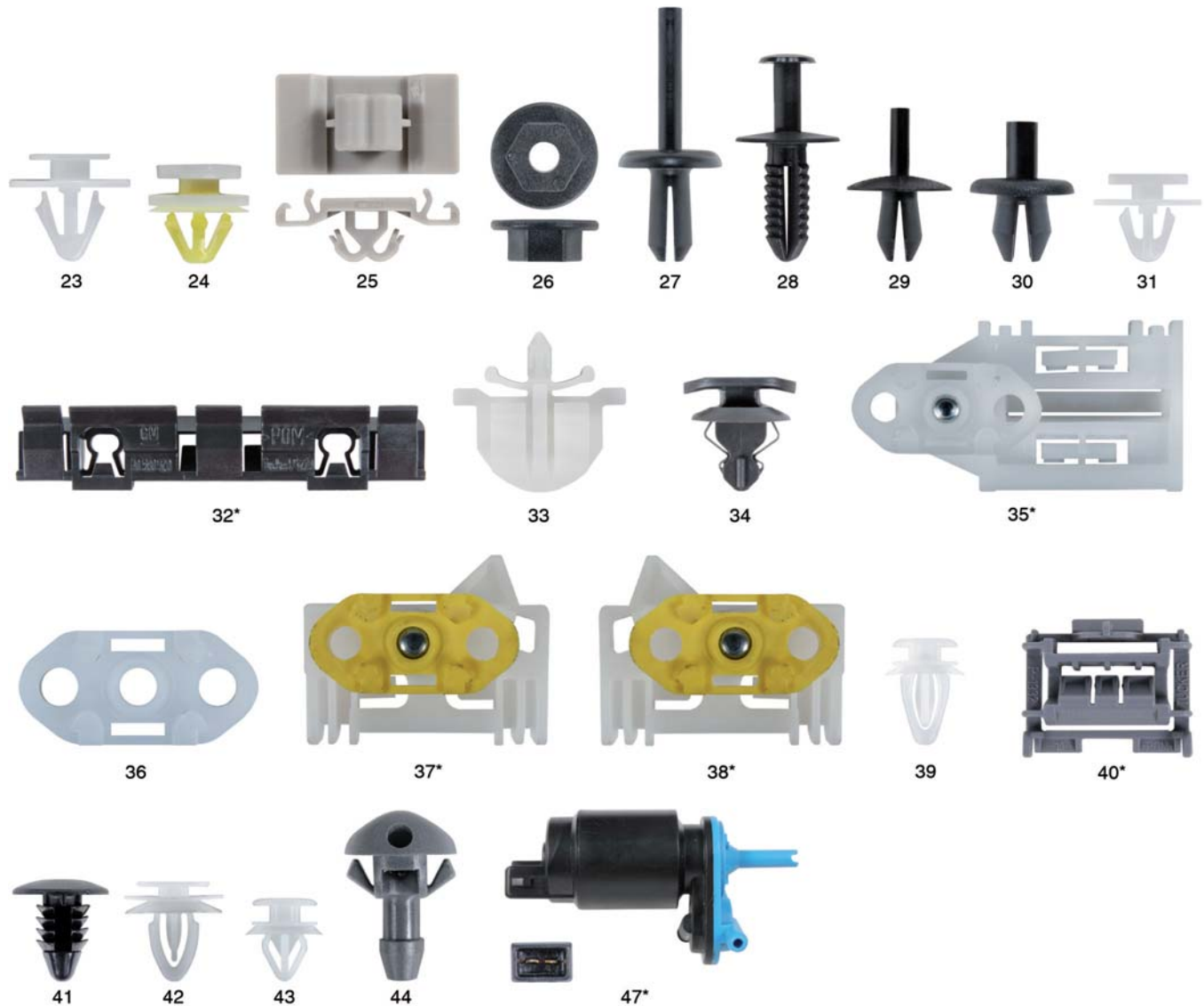
Article No.	Article Description	QTY	Pic	OEM-No.	Vehicle-Application
3040 1197	FIR TREE CLIP BL 8X16X19 1197	fH 300	1	SS070069A	var. models
3040 1267	MOUNTING STRIP WHEEL HOUSING	gf 100	2	0155302903	var. models: wheel housing
3040 1272	EXPANDING RIVET 8X18X14 1272	z 50	3		Nissan X-Trail: bumper
3040 1296	EXPANDING RIVET 10X18X18 1296	z 50	4	0155309241	var. models: bumper
3040 1488	MOUNT. INSULATION BONNET 1488	ü 10	5	623180T001	var. models: motor bonnet
3040 1524	MOUNTING UPHOLSTERY CLIP 1524	z 50	6	01281-00231	Nissan Micra, Sunny, Serana, Terrano
3040 1528	EXPANDING RIVET 8X20X12.5 1528	z 50	7	63848-01G00	200SX, Almera, Almera Tino, Micra K12 from '03, Primera P10 '90 - 96, Primera P11 '96 - 02, Serana, Sunny, Techno II
3040 1529	SCREW RIVET 8X20X20 1529	z 50	8	6385401A00	Galant, Micra, Montero, Pajero, Space Runner, Sunny
3040 1560	EXPANDING RIVET 5X10X11 1560	gf 100	9		var. models
3040 1606	EXPANDING RIVET 8X20X12 1606	z 50	10	0155309321	X-Trail: wheel housing
3040 1607	MOUNTING DOOR LINING 1607	z 50	11	0155308101	Primera: door lining
3040 3064	EXP.RIV.PLAST. 7.9X16.1 B24	z 50	12	0155300051	var. models

Fixing Parts OPEL



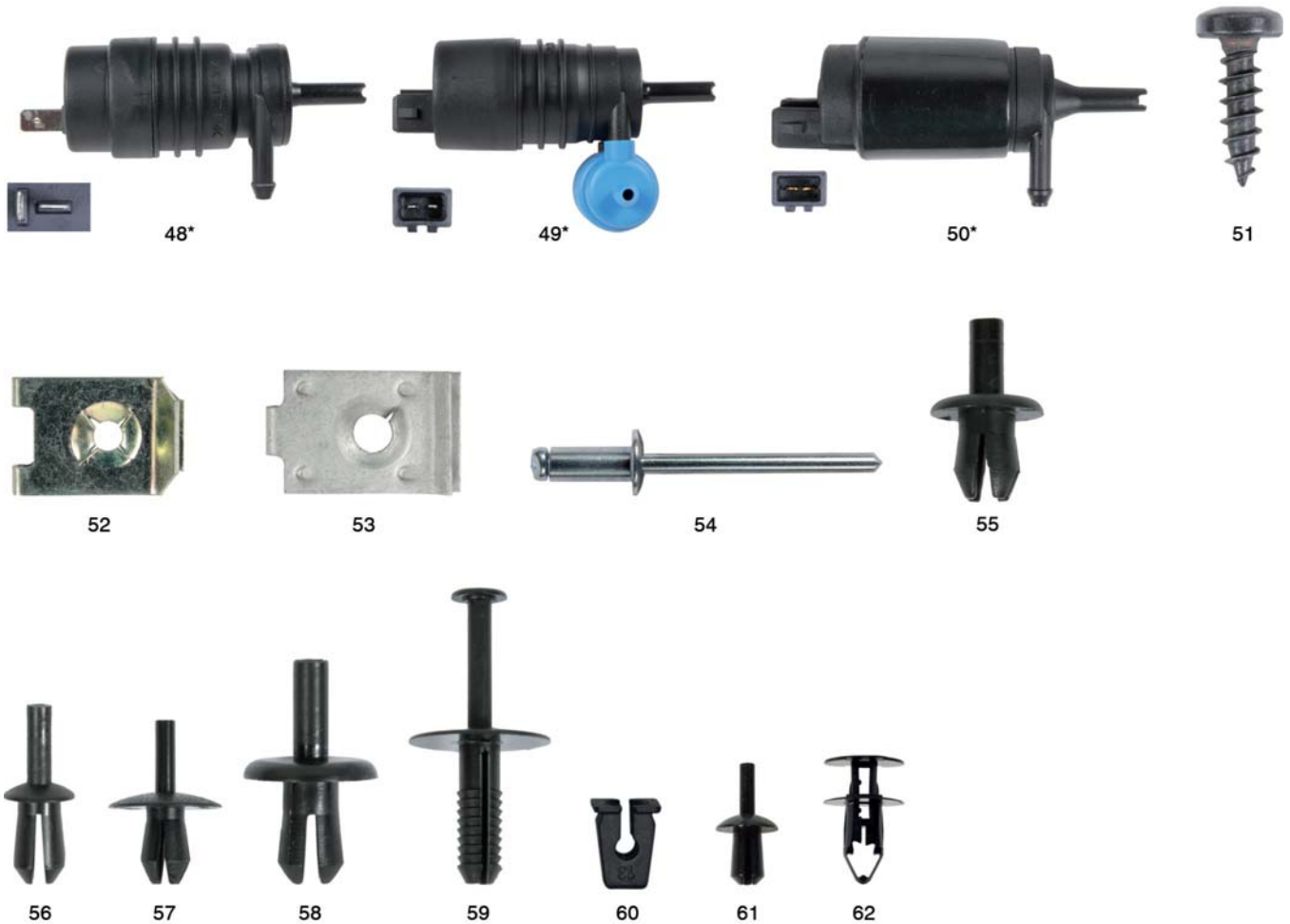
Article No.	Article Description	QTY	Pic	OEM-No.	Vehicle-Application
3010 1	BODY TRIM RIVET T-BOLT	100	1	164361	var.models: moulding
1302 63 19	SHEET MET.SCR.W.WASH.GA 6.3X19	HR 500	2	2022203	var.models
3040 1010	COVER PLUG FOR BONNET 22X18	gf 100	3	1162488	var.models: bonnet
3040 1011	FIR TREE CLIP 28X2X16 1011	gf 100	4	1162484	var.models
3040 1012	CABLE TIE WITH FOOT 132X4.8MM	gf 100	5*	1288888	var.models: cable
3040 1034	FIR TREE CLIP 20X2.5X20 1034	gf 100	6	2207713	var.models
3040 1084	MOULDING CLAMP	z 50	7		var.models: moulding
3040 1092	HEADLIGHT MOUNTING TRANSPARENT	gf 100	8	1217801	var.models: headlight
3040 1164	MOUNT.HEADLIGHT	gf 100	9	1218604	var.models: headlight
3040 1203	MOUNTING LINING 6MM	fH 300	10	1800940	var.models
3040 1209	FIR TREE CLIP BL 11X16X18 1209	fH 300	11		var.models: inner lining
3040 1229	MOUNTING DOOR LINING 1229	fH 300	12	2345957	var.models: door lining
3040 1320	FIR TREE CLIP 14X2X15 1320	gf 100	13	2338955, 90431553	var.models
3040 1332	MOULDING CLAMP GREY	gf 100	14	93160023, 4409693, 4412053	Modell: Vivaro
3040 1339	FIR TREE CLIP BL 7X14X16 1339	fH 300	15	2338955	var.models
3040 1340	FIR TREE CLIP GR 7X14X16 1340	fH 300	16	2226953	var.models: upholstery
3040 1436	MOUNTING ROOF BAR 1436	z 50	17*	0188550	Astra,Tigra Twintop: roof strip
3040 1437	MOUNTING ROOF BAR 1437	z 50	18*	0188577	Astra G: roof strip
3040 1444	MOULDING CLAMP 1444	gf 100	19		Vivaro: strip clips
3040 1452	MOUNTING COVERING BUMPER 1452	gf 100	20	1406984	Corsa: bumper lining
3040 1454	EXPANDING RIVET 6X16X10 1454	gf 100	21	1406925	Astra, Corsa from year 07: inner lining
3040 1458	MOUNTING DOOR LINING 1458	gf 100	22	2345959	Astra F, Vectra C: door lining

Fixing Parts OPEL



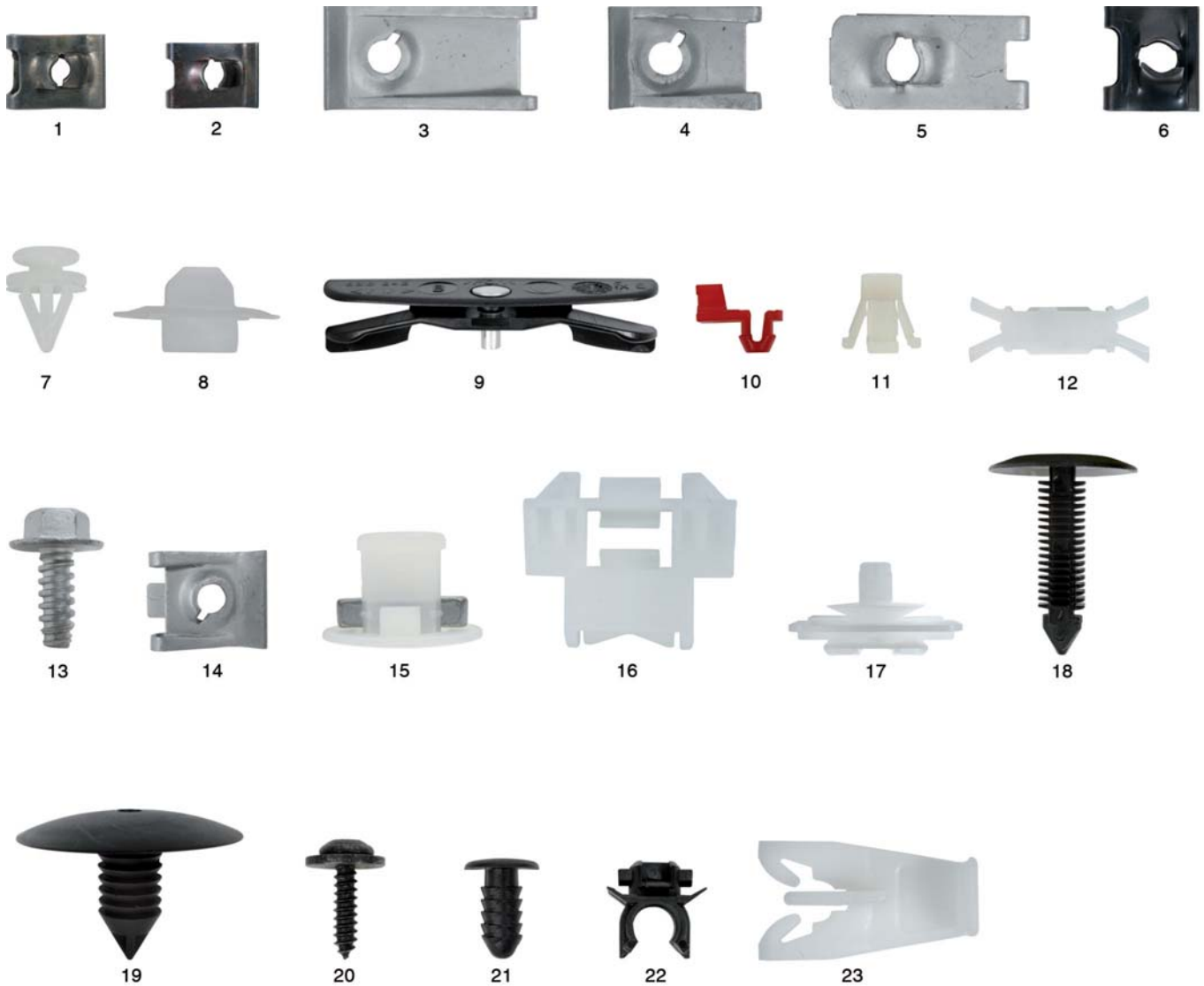
Article No.	Article Description	QTY	Pic	OEM-No.	Vehicle-Application
3040 1459	MOULDING CLAMP 1459	gf 100	23	0174854	Corsa B, Astra G: strip
3040 1483	INNER LINING CLIP 1483	gf 100	24		Movano, Vivaro: screen
3040 1485	MOULDING CLAMP 1485	gf 100	25	0172923	Astra G from year 98 to 03 3 a. 5-door: strip
3040 1486	MOUNTING FENDER 1486	gf 100	26	0171953	Corsa: mudguard fastening
3040 1504	EXPANDING RIVET 6X16X14 1504	gf 100	27	90328832, 94031590	var.models
3040 1844	EXPAN. RIVET. 6X16X18 1844	gf 100	28		var.models
3040 1542	EXPANDING RIVET 5.5X16X11 1542	gf 100	29	2317703	Astra, Vectra
3040 1544	EXPANDING RIVET 8X16X11 1544	gf 100	30	1719245	var.models
3040 1561	MOUNTING WHEEL CASE BAR 1561	gf 100	31	0122920	Corsa C: strip wheel housing
3040 1564	BAR WINDSCREEN 1564	gf 100	32*	0188581	Zafira: screen
3040 1591	MOUNTING BAR WINDSCREEN 1591	gf 100	33	5104988	Astra 2004: windscreen
3040 1592	MOUNTING DOOR LINING 1592	gf 100	34	2228838	Corsa B, Corsa C, Combo: inner lining
3040 1640	WINDOW LIFTER HOLDER R/L 1640	1	35*		Corsa: right/left window lifter
3040 1642	WINDOW LIFTER HOLDER R/L 1642	ü 10	36		Astra, Vectra: right/left window lifter
3040 1643	WINDOW LIFTER HOLDER R 1643	1	37*		Meriva: right window lifter
3040 1644	WINDOW LIFTER HOLDER L 1644	1	38*		Meriva: left window lifter
3040 1688	MOUNTING DOOR CLIP 1688	gf 100	39	0149910	Astra, Corsa: door
3040 1701	MOUNTING ROOF BAR 1701	z 50	40*	01 88 580	Astra G: roof strip
3040 1730	MOUNTING WHEEL CASE BAR 1730	gf 100	41	912466	Astra: wheel housing
3040 1731	INNER LINING CLIP 1731	gf 100	42	122915	Astra, Vectra: upholstery, inner lining
3040 1732	INNER LINING CLIP 1732	gf 100	43	149907	Astra, Vectra: upholstery, inner lining
3040 1752	INJEC.NOZZLE WIPER SYSTEM 1752	ü 10	44	1451166	Corsa A: spray nozzle wiper unit
3040 1772	PUMPS WINDS.WASHER SYSTEM 1772	1	47*		Astra F: pump wiper unit

Fixing Parts OPEL



Article No.	Article Description	QTY	Pic	OEM-No.	Vehicle-Application
3040 1773	PUMPS WINDS.WASHER SYSTEM 1773	1	48*	9005820	var.models
3040 1774	PUMPS WINDS.WASHER SYSTEM 1774	1	49*	1450173	Agila, Astra F/G/H, Corsa B/C, Meriva, Omega B, Signum, Tigra, Vectra B/C, Zafira
3040 1775	PUMPS WINDS.WASHER SYSTEM 1775	1	50*	1450184	Astra, Combo, Corsa, Vectra, Zafira
3040 1812	SCREW 6X20 1812	gf 100	51		var.models
3040 1828	SHEET NUT.UNI.5.5X15.8X23.6X13	fH 300	52	1188303	var.models
3040 1835	SHEET NU.UNI. 6.3X16.5X26.5X14	fH 300	53	2072001	Corsa from year 07, Zafira: mudguards
3040 1846	BLIND RIVET 4.8X11MM	gf 100	54	2084170	Universal
3040 3001	EXP.RIVET PLAST. 7.9X12.0 B16	gf 100	55	1104880	var.models
3040 3002	EXP.RIVET PLAST.5.8X11.4 B10	gf 100	56	1719242, 1404926	var.models
3040 3003	EXP.RIVET PLAST.5.5X11.0 B16	gf 100	57	2317703	var.models
3040 3008	EXP.RIVET PLAST.8.0X15.0 B19	gf 100	58	1104882	var.models
3040 3010	EXP.RIV.W.CAP PLAST.6.5X20 B20	gf 100	59	1400806, 90508809	Corsa C, Zafira, Tigra, Signum, Meriva
3040 3015	PLST.SPREAD NUT 7.0X7.0 3015	gf 100	60	2240802, 90230846	var.models
3040 3046	EXPAND.RIVET PLASTIC 3.5X8X7	fH 300	61		var.models
3040 3082	EXPAND.RIVET PLAST. 8.0X18 B18	gf 100	62	4451732	var.models

Fixing Parts RENAULT, DACIA



Article No.	Article Description	QTY	Pic	OEM-No.	Vehicle-Application
2290 35 1	SHEET-MET.3.5 CURV.15.10X8.0	H 300	1		var. models
2290 42 6	SHE.NUTS UNI.4.2 BL16.00X14.00	H 300	2		var. models
2290 63 1	SHEET NUTS UNI.6.3 31.50X16.10	H 300	3		var. models
2290 63 3	SHEET NUTS UNI.6.3 22.70X15.23	H 300	4		var. models
2290 63 4	SHEET NUTS UNI.6.3 30.03X14.31	H 300	5	7703046012	var. models
2290 63 5	SHE.NUTS UNI.6.3 BL18.20X16.00	H 300	6		var. models
3040 1055	INNER LINING CLIP 1055	fH 300	7	7703077250	var. models: inner lining
3040 1056	INNER LINING CLIP 1056	fH 300	8	7703077256	var. models: inner lining
3040 1082	SCREEN CLAMP	z 50	9	700838242	Clio: screen clips
3040 1093	DOOR LOCK CLIP	gf 100	10	7701030059	var. models: door locking
3040 1099	MOUNT.LOGO BONNET	gf 100	11	7703081161	var. models: motor bonnet
3040 1101	MOULDING CLAMP	gf 100	12	7701408860	var. models: moulding
3040 1102	SHEET META.SREW 6.3+WASHER1102	gf 100	13	7703016264	var. models: bumper
3040 1103	SHEET NUTS UNI.6.3X16X20X11	fH 300	14	7703046049	var. models: bumper
3040 1104	MOUNT.DOOR-STRIVE	gf 100	15	7701397164	var. models: doore
3040 1105	SIDEBAR CLAMP	gf 100	16	7701408846	var. models: sidebar
3040 1109	MOULDING CLAMP LATERAL	gf 100	17	7703077362	Clio: strip
3040 1126	FIR TREE CLIP BL7.5X24X31 1126	fH 300	18		var. models
3040 1128	FIR TREE CLIP BL 10X35X23 1128	fH 300	19	7703077225	var. models: wheel housing
3040 1135	SHEET METAL SCREW W.WASHER1135	gf 100	20	7703016405	var. models
3040 1136	FIR TREE CLIP BL6.5X13X15 1136	gf 100	21	7703077080	var. models: bumper
3040 1138	MOUNT.STRIP BONNET	z 50	22	7703079328	var. models: motor bonnet
3040 1139	MOUNT.WINDOW LIFTER WHITE 1139	gf 100	23	7700784690	var. models: window

Fixing Parts RENAULT, DACIA



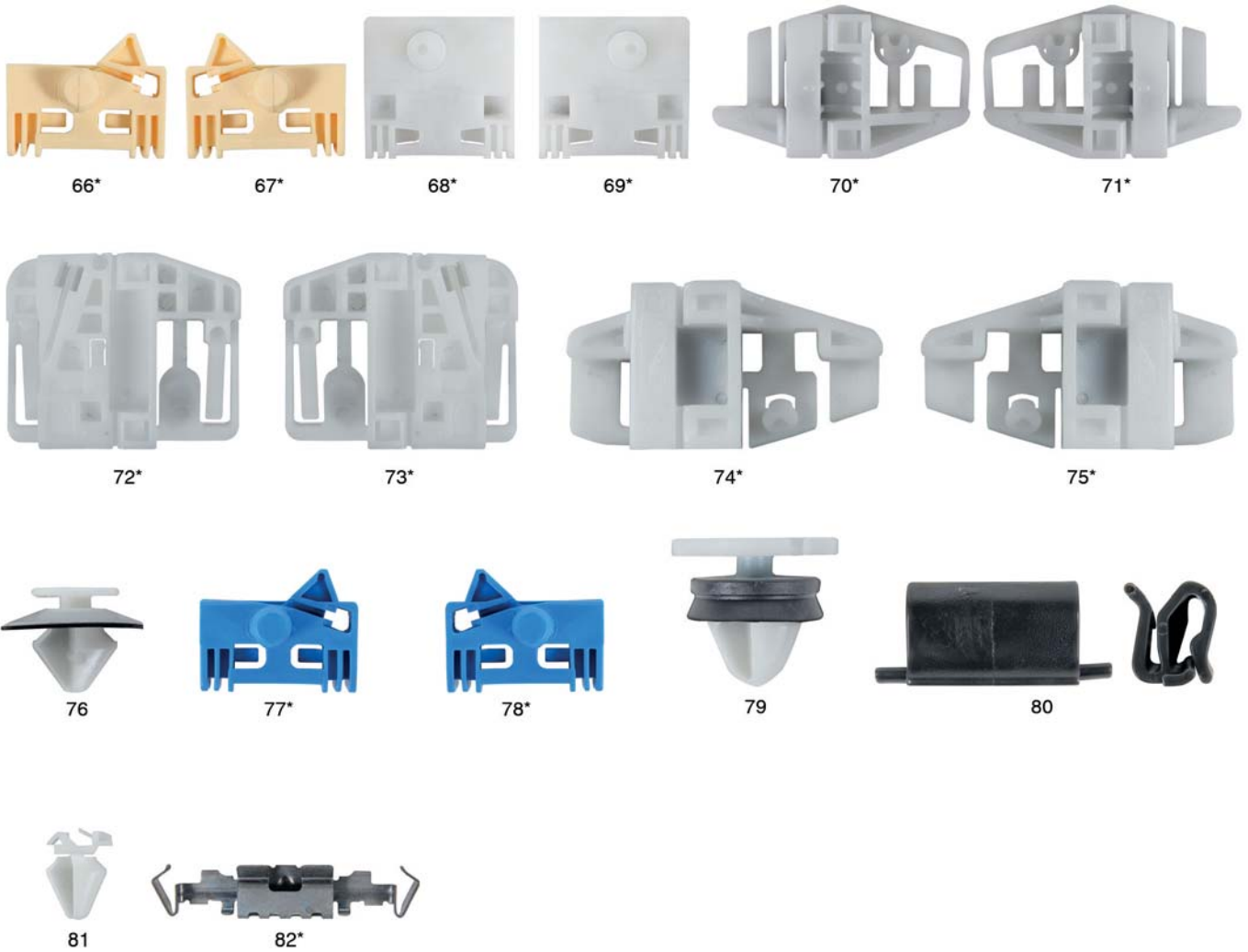
Article No.	Article Description	QTY	Pic	OEM-No.	Vehicle-Application
3040 1140	MOUNT.WINDOW LIFTER BLACK	gf 100	24	7700757267	var. models: window
3040 1169	FIR TREE CLIP BL6.5X12X14 1169	fH 300	25	7703077223	var. models
3040 1177	MOUNT.1 YELLOW STRIP LOCK	gf 100	26	7701408876	var. models: lock
3040 1178	MOUNT.2 YELLOW STRIP LOCK	gf 100	27	7701030058	var. models: lock
3040 1179	MOUNT.3 YELLOW STRIP LOCK	gf 100	28	7701030060	var. models: lock
3040 1180	MOUNT.4 YELLOW STRIP LOCK	gf 100	29	7701035664	var. models: lock
3040 1181	MOUNT.5 YELLOW STRIP LOCK	gf 100	30	7701408875	var. models: lock
3040 1182	MOUNT.1 STRIP DOOR OPENER	gf 100	31		var. models: door opener
3040 1206	MOUNT.DOOR LINING	fH 300	32	7703077354	Megane, Clio: door lining
3040 1207	MOUNT.STRIP DOOR 1207	fH 300	33	7701047661	var. models: strip, door
3040 1211	FIR TREE CLIP BL6.5X20X16 1211	gf 100	34	7703077444	var. models: motor bonnet
3040 1222	MOULDING CLAMP	gf 100	35	7703077448	Kangoo: strip
3040 1227	FIR TREE CLIP BL 7X30X18 1227	fH 300	36		var. models: motor bonnet
3040 1228	FIR TREE CLIP BL 11X32X24 1228	fH 300	37	7703077435	var. models: wheel housing
3040 1325	INNER LINING CLIP TRANSP.1325	gf 100	38		var. models: door lining
3040 1275	MOUNTING DOOR SEALING 1275	fH 300	39		Megane: door sealant
3040 1321	FIR TREE CLIP 12.5X2X17.5 1321	gf 100	40	7703077066	ZX
3040 1324	INNER LINING CLIP 1324	gf 100	41	7703077111	var. models: inner lining
3040 1330	COVER PLUG BLACK 16.0X1.5X20.0	gf 100	42	7703077153	Clio: cover plug
3040 1331	INNER LINING CLIP TRANSP./YELL	gf 100	43	7703077368	Clio: inner lining
3040 1332	MOULDING CLAMP GREY	gf 100	44		var. models: moulding
3040 1333	INNER LINING TRANSP./GREEN 1333	gf 100	45	7701049008	var. models: inner lining
3040 1334	INNER LINING TRANSP./GREY	gf 100	46	7703077430	var. models: inner lining

Fixing Parts RENAULT, DACIA



Article No.	Article Description	QTY	Pic	OEM-No.	Vehicle-Application
3040 1365	FIR TREE CLIP 6.5X20X13.5 1365	gf 100	47		R19/R21/R25, Clio, Super-5, Kangoo, Express, Megane, Modus
3040 1367	EXP.NUTS PLAS. 7X14X13X20 1367	gf 100	48	7703081134	Twingo, Master, Traffic: door rail, seat covers
3040 1378	EXP.NUTS PLAS. 7X13X10X16 1378	fH 300	49	7703081019	R9/R11, Clio, Super-5, Express, Megane, Laguna, Safrane, Twingo
3040 1383	FIR TREE CLIP BL6.5X18X15 1383	gf 100	50	7703077079	var. models: upholstery
3040 1386	MOUNTING DOOR LINING 1386	gf 100	51	7703077345	Laguna, Safrane: door lining
3040 1388	MOUNTING LOGO 7MM 1388	gf 100	52	7703081170	Clio, Espace, Laguna, Master, Megane, Safrane, Traffic, Twingo
3040 1389	MOUNTING LOGO-LETTER 8MM 1389	gf 100	53	7703081151	Clio, Express, Laguna, Master, Megane, Safrane, Super 5, Traffic, Twingo
3040 1409	MOUNTING DOOR LINING 1409	gf 100	54	7703077430	Kangoo, Megane, Scénic: door lining
3040 1424	MOUNT.WHEEL CASE PROTEC. 1424	gf 100	55	7703081188	Megane, Scénic, Laguna: wheel housing
3040 1431	EXPAN.NUTS PLASTIC 8X15.5 1431	gf 100	56	7703081184	Kangoo II, Megane, Scénic, Twingo II: bumper
3040 1444	MOULDING CLAMP 1444	gf 100	57	7703077420	Kangoo, Master strip clips
3040 1445	MOULDING CLAMP 1445	gf 100	58		Kangoo, Master, Traffic: strip
3040 1446	FIR TREE CLIP BL6.7X20X14 1446	gf 100	59	7703077117	Megane II, Scenic, wheel housing Laguna III: insulation motor bonnet
3040 1449	MOUNTING HEADLIGHT 1449	z 50	60*	7703081180	Megane 1: headlight
3040 1513	EXPAN.NUTS PLASTIC 7X14 1513	gf 100	61	7703081185	DACIA Logan, var. models
3040 1557	MOUN.DOOR INSULAT./BONNET 1557	gf 100	62		Clio III, Traffic II: motor bonnet
3040 1559	FIR TREE CLIP 6.5X24.5X11 1559	gf 100	63	7703077453	Laguna II, Master, Vel Satis: motor bonnet
3040 1580	MOUNTING DOOR LINING 1580	z 50	64		Laguna II: door lining
3040 1595	EXPANDING RIVET 8X20X16 1595	gf 100	65		Kangoo: upholstery

Fixing Parts RENAULT, DACIA



Article No.	Article Description	QTY	Pic	OEM-No.	Vehicle-Application
3040 1659	WIND.LIFTER HOLD. FRONT R 1659	1	66*		Scenic: right window lifter in the front
3040 1660	WIND.LIFTER HOLD. FRONT L 1660	1	67*		Scenic: left window lifter in the front
3040 1661	WIND.LIFTER HOLDER BACK R 1661	1	68*		Scenic: right window lifter at the back
3040 1662	WIND.LIFTER HOLDER BACK L 1662	1	69*		Scenic: left window lifter at the back
3040 1663	WIND.LIFTER HOLD. FRONT R 1663	1	70*		Megane II: right window lifter in the front
3040 1664	WIND.LIFTER HOLD. FRONT L 1664	1	70*		Megane II: left window lifter in the front
3040 1665	WIND.LIFTER HOLDER BACK R 1665	1	72*		Megane II: right window lifter at the back
3040 1666	WIND.LIFTER HOLDER BACK L 1666	1	73*		Megane II: left window lifter at the back
3040 1667	WIND.LIFTER HOLD. FRONT R 1667	1	74*		Clio II, Scenic II: right window lifter in the front
3040 1668	WIND.LIFTER HOLD. FRONT L 1668	1	75*		Clio II, Scenic II: left window lifter in the front
3040 1676	UPHOLSTERY CLIP 1676	gf 100	76	7701057073	Megane II, Megane CC: upholstery
3040 1716	WIND.LIFTER HOLD. FRONT R 1716	1	77*		Laguna II, Peugeot 07 Coupe: right window lifter in the front
3040 1717	WIND.LIFTER HOLD. FRONT L 1717	1	78*		Laguna II, Peugeot 07 Coupe: left window lifter in the front
3040 1724	MOUNTING DOOR LINING 1724	gf 100	79	7703077476	Laguna III, Megane III: door lining
3040 1725	MOUNTING GRILLE BAR 1725	z 50	80	7701056146	Espace IV: radiator grill
3040 1726	MOUNTING WINDSCREEN 1726	gf 100	81	7701053507	Laguna III: windscreen
3040 1728	MOUNTING WINDSCREEN 1728	z 50	82*	7701062542	Clio III: windscreen

Fixing Parts RENAULT, DACIA



Article No.	Article Description	QTY	Pic	OEM-No.	Vehicle-Application
3040 1729	MOUNTING WINDSCREEN 1729	z 50	83	8200335703	Clio III: windscreen
3040 1768	PUMPS WINDS.WASHER SYSTEM 1768	1	85*	7700428336	Clio, Espace IV, Kangoo, Laguna II, Megane, Modus, Scenic, Traffic, Vel Satis
3040 1776	PUMPS WINDS.WASHER SYSTEM 1776	1	86*	7700430702	Clio, Espace, Kangoo, Laguna, Megane, Safrane, Scenic, Twingo
3040 1777	PUMPS WINDS.WASHER SYSTEM 1777	1	87*	7701048307	Clio III, Espace, Kangoo, Laguna, Megane, Scenic, Twingo
3040 1778	PUMPS WINDS.WASHER SYSTEM 1778	1	88*	7700431079, 7700428386	Clio II, Kangoo, Master, Megane II, Scenic II
3040 1779	PUMPS WINDS.WASHER SYSTEM 1779	1	89*	7700802336	R19/R21, Clio I, Esp., Expr., Kangoo Mast., Megane, Safrane, Twingo
3040 1791	SHEET NUTS M6 15X22 1791	fH 300	90	7703 046 034	R9/R11, Clio, Super-5, Expr., Lag., Safrane, Esp., Master, Trafic
3040 1792	SHEET NUTS UNIV. 2.9 9X16.5X10	fR 500	91		R5 sheet nut
3040 1810	SHEET NUTS M5 10X15 1810	fH 300	92	7703 046 091	Universal sheet nut
3040 1812	SCREW 6X20 1812	gf 100	93		var. models
3040 1815	SCREW M6X20 WASHER 22 1815	gf 100	94	7703602206	mudguards, bumper

Fixing Parts RENAULT, DACIA



Article No.	Article Description	QTY	Pic	OEM-No.	Vehicle-Application
3040 1816	SCREW M6X20 WASHER 18 1816	gf 100	95	7703602282	DACIA Logan, RENAULT Kang. II, Lag. III, Twingo II, Clio III: front bumper
3040 1818	SCREW M6X23 WASHER 18 1818	z 50	96		Espace III, Express, Kangoo, Laguna, Master, Megane, Scenic
3040 1819	DOOR LOCK SCREW M6X18 1819	z 50	97		Clio III, Modus
3040 1833	SCREW 5X22 WASHER 16 1833	gf 100	98	7703017090	DACIA Logan: bumper, door strip
3040 1838	SCREW 6X26 WASHER 17 1838	gf 100	99		var. models
3040 3006	EXPRIV.PLAST.L.5.0X15.0 B10	gf 100	100	7703072144	RENAULT, var. models: wheel tread
3040 3014	EXPRIVET PLAST. 5.0X11.5 B10	gf 100	101	7703072116	R5, R19: Interior
3040 3031	EXPRIVET PLAST. 5.5X8.0 B10	gf 100	102	7703072173	var. models
3040 3050	SPREAD NUT PLAS. 8.5X11.5 3050	fH 300	103		var. models
3040 3062	SCREW RIVET PLASTIC 8.2X18X14	fH 300	104	7703072360	Clio II, Laguna II, Vel Satis
3040 3075	SCREW RIVET 6.2X9.5	gf 100	105	7703072327	var. models
3040 3076	SCREW RIVET 5.05X5.25X11.7	gf 100	106	7703072261	var. models
3040 3077	EXPRIVET PLAST. 3.9X8.5 B8	gf 100	107	7703072224	var. models
3040 3079	EXPRIVET PLAST. 4.5X13.0 B22	gf 100	108	7703072502	var. models
3040 3080	EXPRIV.W.CAP PLST.8.0X20 B21	gf 100	109	7701049271	Scenic
3040 3082	EXPAND.RIVET PLAST. 8.0X18 B18	gf 100	110	054000001R	Renault Vehicle, Twingo2, Clio 4
3040 3083	PLUG FOR THREADED BOLTS 3083	gf 100	111	7703081056	Renault Vehicle, Logan, Clio, Laguna

Fixing Parts SUZUKI



Article No.	Article Description	QTY	Pic	OEM-No.	Vehicle-Application
3040 1300	EXPANDING RIVET 6.5X16X13 1300	z 50	1	09409073255PK	var. models
3040 1540	EXPANDING RIVET 6.5X15X13 1540	z 50	2	09409073085PK	var.models: upholstery
3040 1604	SCREW RIVET 6.5X15X13 1604	z 50	3	09409073055PK	var.models: upholstery
3040 1605	EXPANDING RIVET 7X20X10 1605	z 50	4	0940907332000	var.models: wheel housing
3040 1613	INNER LINING CLIP 1613	gf 100	5		var.models: inner lining
3040 1770	PUMPS WINDS.WASHER SYSTEM 1770	1	6	3841066113	Swift, Vitara, Grand Vitara: pump
3040 3065	SCREW RIVET PLASTIC 7X20X8	z 50	7	09409073035ES	var.models

Fixing Parts TOYOTA, LEXUS (TMC)



Article No.	Article Description	QTY	Pic	OEM-No.	Vehicle-Application
3040 1269	INNER LINING CLIP 1269	gf 100	1	9046710161	TOYOTA, var. models: inner lining
3040 1270	MOUNTING DOOR LINING 1270	gf 100	2	9046710162	TOYOTA, LEXUS, var. models: door lining
3040 1272	EXPANDING RIVET 8X18X14 1272	z 50	3	9046708185	TOYOTA, var. models: bumper
3040 1285	EXPANDING RIVET 6.8X17X6 1285	z 50	4	5387960010	TOYOTA, LEXUS, var. models: wheel housing
3040 1286	MOUNTING DOOR LINING 1286	z 50	5	6777110050	TOYOTA, var. models: door lining
3040 1287	MOUNT.CLIP WHITE UPHOLSTERY	z 50	6	7581910040	TOYOTA, var.models: upholstery
3040 1288	MOUNT.CLIP BLACK UPHOLSTERY	gf 100	7	9046710091	TOYOTA, var.models: upholstery
3040 1289	MOUNTING DOOR LINING 1289	gf 100	8	6777116170	TOYOTA, var.models: door lining
3040 1290	INNER LINING CLIP 1290	gf 100	9	9018906005	TOYOTA, var.models: inner lining
3040 1291	EXPAN.NUTS PLASTIC 9X17 1291	gf 100	10	9018906006	TOYOTA, var.models: inner lining
3040 1292	MOUNT.RUBBER BONNET	gf 100	11	9046708011	TOYOTA, var.models: bonnet
3040 1298	SCREW RIVET 9X15X26 1298	z 50	12	9046709093	TOYOTA, LEXUS, var.models: bumper
3040 1299	SCREW RIVET 9X20X27 1299	z 50	13	9046709189	TOYOTA, var.models: bumper
3040 1489	MOUNTING WHEEL CASE BAR 1489	z 50	14	5387914010	LEXUS RX300: strip wheel housing
3040 1491	INNER LINING CLIP 1491	gf 100	15	9018906013	TOYOTA, var.models: inner lining
3040 1492	EXPANDING RIVET 7X20X11 1492	z 50	16	9046707166	TOYOTA Previa, Yaris: strip wheel housing
3040 1502	MOUNT. INSULATION BONENT 1502	gf 100	17	9046708124	TOYOTA Corolla, Previa, Supra, Verso, Yaris, Celica: insulation bonnet
3040 1518	MOUNTING WHEEL CASE BAR 1518	z 50	18	7549442010	TOYOTA Rav 4: strip wheel housing
3040 1519	INNER LINING CLIP 1519	gf 100	19	9046710023	TOYOTA Paseo, Yaris: inner lining
3040 1520	MOUNT. INSULATION BONENT 1520	zf 100	20	904670900401	TOYOTA Hi-Lux, Truck 4: insulation bonnet
3040 1521	MOUNT. INSULATION BONENT 1521	zf 100	21	9046709050	TOYOTA Corolla, Verso, Yaris: insulation bonnet
3040 1522	MOUNTING CLIP 1522	gf 100	22	904670906901	TOYOTA, var.models
3040 1523	MOUNTING CLIP 1523	gf 100	23	904670616101	TOYOTA, var.models
3040 1538	SCREW RIVET 6X15X12.5 1538	gf 100	24	9046706198	TOYOTA Yaris: radiator grill
3040 1569	MOUNTING DOOR LINING 1569	gf 100	25	9046710192	TOYOTA Yaris: door
3040 1570	MOUNTING DOOR SEALING 1570	z 50	26	6786752010	TOYOTA Yaris: door

Fixing Parts TOYOTA, LEXUS (TMC)



Article No.	Article Description	QTY	Pic	OEM-No.	Vehicle-Application
3040 1572	MOUNT. INSULATION BONNET 1572	z 50	27	9046708081	TOYOTA Celica: insulation bonnet
3040 1573	EXPANDING RIVET 9X18X27 1573	z 50	28	5216116010	TOYOTA Celica: radiator grill
3040 1605	EXPANDING RIVET 7X20X10 1605	z 50	29	9046707164	TOYOTA, var.models: wheel housing
3040 1615	INNER LINING CLIP 1615	z 50	30	7539533030	TOYOTA, var.models: inner lining
3040 1616	INNER LINING CLIP 1616	z 50	31	6295512010	TOYOTA, var.models: inner lining
3040 1617	EXPANDING RIVET 7X20X11 1617	z 50	32	9046707201	TOYOTA Corolla, Yaris: strip wheel housing
3040 1618	UPHOLSTERY CLIP 1618	z 50	33	6792195501	TOYOTA, var.models: upholstery
3040 1619	UPHOLSTERY CLIP 1619	z 50	34	6777122010	TOYOTA, var.models: upholstery
3040 1620	UPHOLSTERY CLIP 1620	z 50	35	7549360020	TOYOTA, var.models: upholstery
3040 1621	UPHOLSTERY CLIP 1621	gf 100	36	904670908401	TOYOTA, var.models: upholstery
3040 1689	INNER LINING CLIP 1689	z 50	37	6777130070	TOYOTA: Avensis, Corolla, Prius, Yaris: inner lining
3040 1690	MOUNTING TAILGATE 1690	z 50	38	9046710167	TOYOTA Corolla: tailgate
3040 1770	PUMPS WINDS.WASHER SYSTEM 1770	1	39*	3841066113	TOYOTA Land Cruiser, Prius, Rav 4: pump
3040 3068	SPREAD NUT FRONT FLASHER	gf 100	40	9018904014	TOYOTA, var.models: turn signal

Fixing Parts VOLVO



Article No.	Article Description	QTY	Pic	OEM-No.	Vehicle-Application
3040 1504	EXPANDING RIVET 6X16X14 1504	gf 100	1	1268176	740, 760
3040 1702	MOUNTING BAR WINDSCREEN 1702	gf 100	2	30864984	S40,V40 windscreen
3040 1704	MOUNTING BAR WINDSCREEN 1704	z 50	3	30870550	S40,V40 windscreen
3040 1705	MOUNTING BAR WINDSCREEN 1705	gf 100	4	30872551	S40,V40 windscreen
3040 1781	PUMPS WINDS.WASHER SYSTEM 1781	1	5*	9178094	S70, V70, S90, V90
3040 3003	EXPRIVET PLAST.5.5X11.0 B16	gf 100	6	3923475	var.models
3040 3023	EXPRIV.W.CAP PLAST.8.7X14 B20	gf 100	7	30820141	var.models
3040 3027	SCRIVET 6.3X11.3	gf 100	8	1269900392	var.models: wheel housing
3040 3066	EXPAND. RIVET PLASTIC 8X16X14	gf 100	9	9133417	var.models

Fixing Parts, 140 Pieces in Assortment

Contents

Article No.	Article Description	Quantity
3040 1003	INNER LINING CLIP 1003	10
3040 1004	ROOF STRIP CLIP 1004	10
3040 1005	MOULDING CLIP 1005	10
3040 1006	GROMMET CLOSED 8.8X11.4	10
3040 1007	CABLE TIE WITH FOOT 140X4.5MM	10
3040 3001	EXPRIVET PLAST. 7.9X12.0 B16	10
3040 3002	EXPRIVET PLAST.5.8X11.4 B10	10
3040 3003	EXPRIVET PLAST.5.5X11.0 B16	10
3040 3004	EXPRIV.PLAST.S.5.0X15.0 B10	10
3040 3005	EXPRIVET PLAST.13.0X17.4 B20	10
3040 3006	EXPRIV.PLAST.L.5.0X15.0 B10	10
3040 3007	EXPRIV.PLAST.7.8X11.0 B12.3	10
3040 3009	EXPRIVET PLAST.8.0X15.0 B13	10
3040 3011	EXPRIV.W.CAP PLAST.6.5X17 B20	10



Article No.	Article Description	QTY
9000 3040 1	ASSORT.FIXING PARTS 140-PIECE	1
9000R 3040 1	TRAY FIXING PARTS 140-PIECE	1

Fixing Parts, 250 Pieces in Assortment

Contents

Article No.	Article Description	Quantity
3040 3001	EXPRIVET PLAST. 7.9X12.0 B16	25
3040 3002	EXPRIVET PLAST.5.8X11.4 B10	25
3040 3003	EXPRIVET PLAST.5.5X11.0 B16	25
3040 3004	EXPRIV.PLAST.S.5.0X15.0 B10	25
3040 3005	EXPRIVET PLAST.13.0X17.4 B20	25
3040 3006	EXPRIV.PLAST.L.5.0X15.0 B10	25
3040 3007	EXPRIV.PLAST.7.8X11.0 B12.3	25
3040 3009	EXPRIVET PLAST.8.0X15.0 B13	25
3040 3011	EXPRIV.W.CAP PLAST.6.5X17 B20	25
3040 3013	PLST.SPREAD NUT 8.0X8.0 3013	25



Article No.	Article Description	QTY
9000 3040 2	ASSORTM.FIXING PARTS 250-PIECE	1
9000R 3040 2	TRAY FIXING PARTS 250-PIECE	1

Universal Clips **VAROBOXX**

- range in VAROBOXX 1
- 850 piece
- fasteners suitable for 80% of vehicles

Contents :

Article No.	Article Description	Quantity
3040 1001	CLAMPING NUT PLAST.11.1X14.1	25
3040 1002	TURN LOCK PLAST. 6.4X14 B25	25
3040 1021	MOULDING CLIP WITH RED RING	25
3040 1025	INNER LINING CLIP YELLOW 1025	25
3040 1027	GEOMET CLAMP.WASHER 321 SILVER	25
3040 1031	SHEET METAL SCREW 4.8X16 TX25	25
3040 1034	FIR TREE CLIP 20X2.5X20 1034	25
3040 1208	MOUNTING DOOR LINING 1208	50
3040 1228	FIR TREE CLIP BL 11X32X24 1228	50
3040 1245	MOULDING CLAMP LATERAL	25
3040 1272	EXPANDING RIVET 8X18X14 1272	10
3040 1544	EXPANDING RIVET 8X16X11 1544	25
3040 1839	SCREW 5X16 1839	25
3040 3001	EXPRIVET PLAST. 7.9X12.0 B16	25
3040 3002	EXP.RIVET PLAST.5.8X11.4 B10	25
3040 3003	EXP.RIVET PLAST.5.5X11.0 B16	25
3040 3007	EXP.RIV.PLAST.7.8X11.0 B12.3	25
3040 3008	EXP.RIVET PLAST.8.0X15.0 B19	25
3040 3009	EXP.RIVET PLAST.8.0X15.0 B13	25
3040 3010	EXP.RIV.W.CAP PLAST.6.5X20 B20	25
3040 3011	EXP.RIV.W.CAP PLAST.6.5X17 B20	25
3040 3012	PLST.SPREAD NUT 7.4X6.6 3012	25
3040 3014	EXP.RIVET PLAST.5.0X11.5 B10	25
3040 3015	PLST.SPREAD NUT 7.0X7.0 3015	25
3040 3016	EXP.RIV.W.CAP PLAST.6.5X15 B15	25
3040 3021	PLST.SPREAD NUT 7.0X7.0 3021	25
3040 3023	EXP.RIV.W.CAP PLAST.8.7X14 B20	25
3040 3057	EXP.RIVET PLASTIC 6.4X14 B22	50
3040 3062	SCREW RIVET PLASTIC 8.2X18X14	50
3040 4003	PLASTIC RIVETS 6.3X25.2MM	20
3040 4005	PLASTIC RIVETS 6.0X19.3MM	20
9003 1	VAROBOXX SIZE:1 EMPTY	1
9004 0 1	COVER INLAY VAROBOXX	1
9004 1 0	INSET BOX GREY SIDE.VAROBOXX 1	2
9004 1 0 1	DIVI.INSET BOX SIZE VAROBOXX 1	4
9004 1 5 5	INSET BOX RED 5X5CM VAROBOXX1	20
9004 1 5 10	INS.BOX YELL.5X10CM VAROBOXX 1	5



Article No.	Article Description	QTY
9003 3040	VAROBOXX CLIPS UNIVERSAL	1